

**WINDROW SPREADER
FOR JOHN DEERE 25
AND NO. 12-A COMBINES
EQUIPPED WITH
60-INCH BELT PICKUP**



OPERATORS MANUAL

WINDROW SPREADER FOR JOHN DEERE 25
AND NO. 12-A COMBINES EQUIPPED WITH
60-INCH BELT PICKUP

OMH38554 (01MAY54) English

OMH38554 (01MAY54)

LITHO IN THE U.S.A.
ENGLISH



TO THE PURCHASER

The operation of your Windrow Spreader and the care you give it has much to do with the service and satisfaction it will give you.

This manual has been carefully prepared and illustrated to show you what to do and when to do it.

When in need of parts or service, see your John Deere dealer. His parts department is stocked to take care of your needs; his mechanics are fully informed on John Deere Service methods and will serve you promptly.

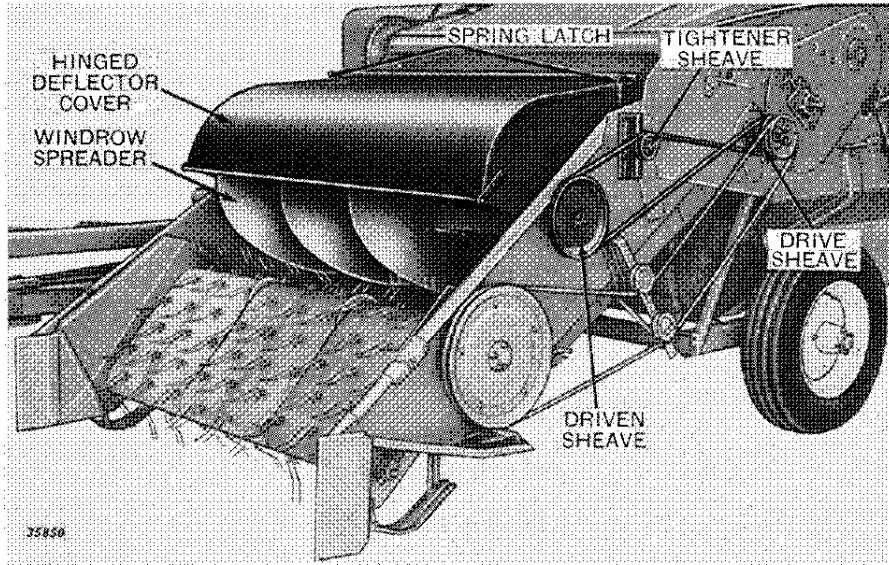
Assembly Reference: "Right-hand" and "left-hand" sides are determined by facing in the direction the machine will travel when in use.

"Clockwise" refers to parts turning to the "right" like the hands of a clock. "Counter-clockwise" refers to parts turning to the left.

Date Purchased.....19..

TABLE OF CONTENTS

	<i>Page</i>
Complete View.....	1
Specifications and Data.....	1
Lubrication.....	2
Operation.....	2
Safety First.....	2
Starting in the Field.....	2
Service.....	2-3
Care of V-Belts.....	3
V-Belt Adjustment.....	3
Special Equipment.....	3
Assembly.....	3-7
Shipping Packages.....	3



Complete View of John Deere Windrow Spreader

SPECIFICATIONS AND DATA

Type of Power.....	Platform Canvas Drive Roller Shaft
Type of Drive.....	V-Belt
No. of Main Drive Bearings.....	2
Type of Main Bearings.....	Double Sealed Ball

OPERATION

Starting in Field.

Be sure windrow spreader is assembled correctly and is properly installed on combine.

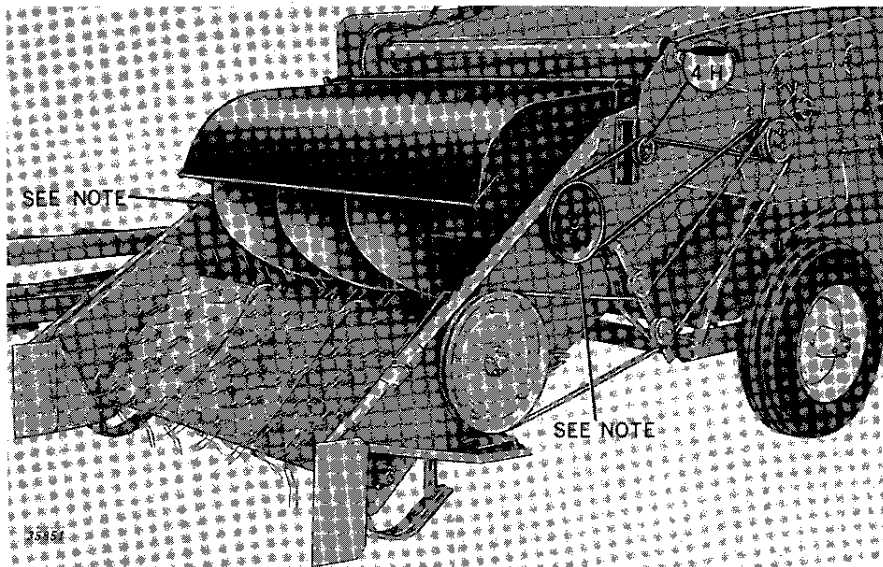
There are two sets of holes in side sheets in which the windrow spreader can be installed. When operating in most windrows the spreader should be installed in the upper set of holes. However, in an extremely light windrow the spreader should be installed in the lower set of holes as explained on page 6.

Run slowly at first to check operation. Check V-belt drive tension and sheave alignment.

Safety First.

Never attempt to clean, lubricate, or adjust windrow spreader without first disengaging power and shutting off engine. A careful operator is the best insurance against an accident.

SERVICE LUBRICATION



SYMBOLS



Grease every four hours of operation.

Note—Grease-sealed bearing, do not lubricate.

Use a good grade of lubricant. Wipe all fittings clean before greasing. Replace any missing fittings immediately. Thorough and regular lubrication is the largest single factor contributing to longer and more satisfactory performance.

Thank you so much for reading.
Please click the “Buy Now!”
button below to download the
complete manual.



After you pay.

You can download the most
perfect and complete manual in
the world immediately.

Our support email:

ebooklibonline@outlook.com