

# MODEL K HART SCOURKLEEN FOR 30 SERIES COMBINES



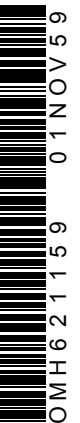
JOHN DEERE

## OPERATORS MANUAL MODEL K HART SCOURKLEEN FOR 30 SERIES COMBINES

OMH621159 (01NOV59) English

OMH621159 (01NOV59)

LITHO IN THE U.S.A.  
ENGLISH



## TO THE PURCHASER

This manual has been carefully prepared and illustrated to show you how to operate and install this attachment.

Difficulties with this or any other attachment are largely due to lack of proper care and assembly.

See your John Deere dealer for genuine John Deere Parts and Service. His skilled mechanics are especially trained to service John Deere Equipment.

Assembly reference: "Right-Hand" and "Left-Hand" sides are determined by facing in the direction the machine will travel when in use.

Date Purchased.....19.....  
(To be filled in by Purchaser)

**A Careful Operator  
IS THE BEST INSURANCE  
AGAINST AN ACCIDENT**

*—National Safety Council*

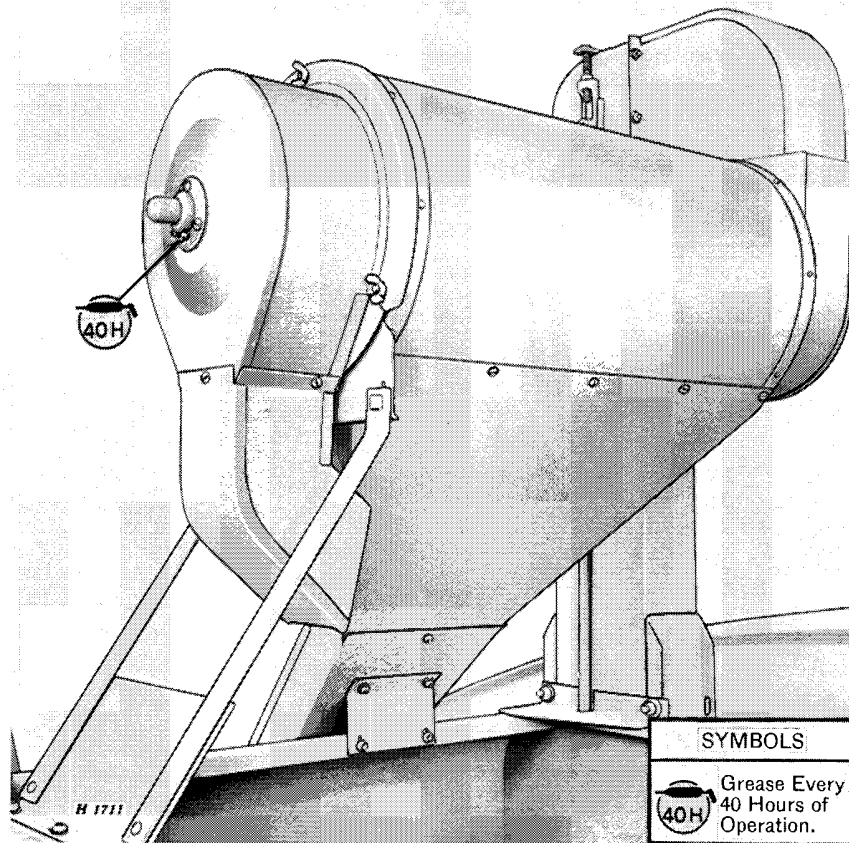
## TABLE OF CONTENTS

	<i>Page</i>
Lubrication Chart.....	1
Adjustments and Service.....	2-3
Shipping Packages.....	4
Installation on Grain Tank Combines.....	4-7
Installation on Sacker Combines.....	8-12

*(Specifications and design subject to change without notice.)*

# LUBRICATION

1

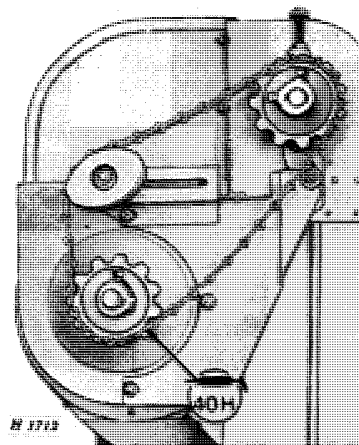


Use SAE multi-purpose grease.

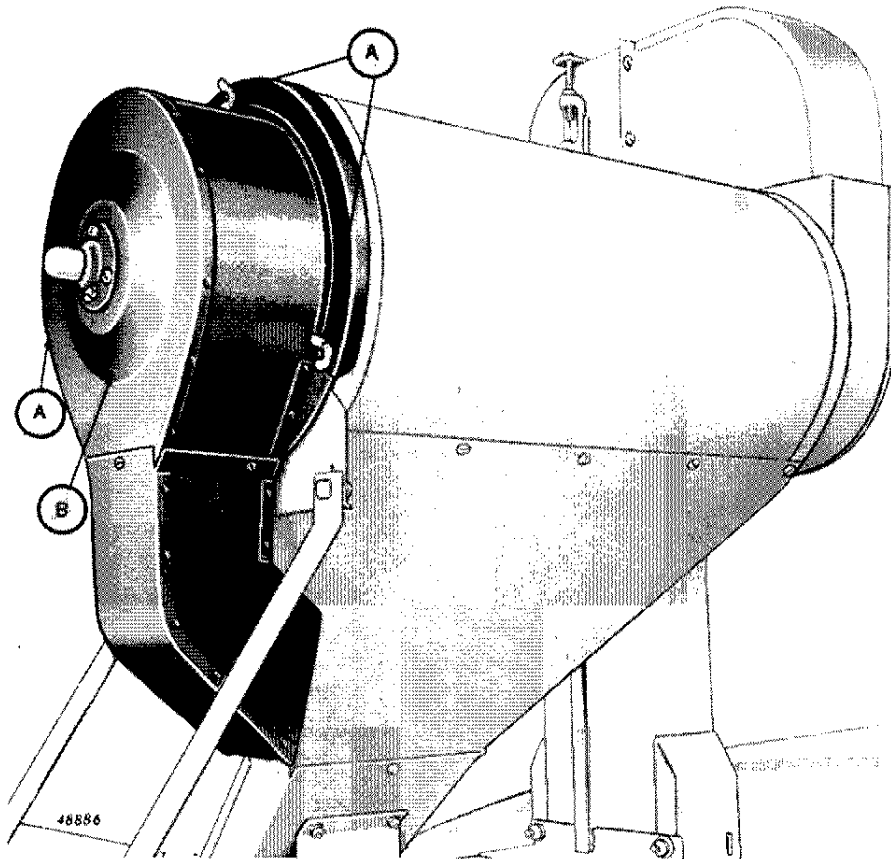
Wipe all grease fittings and nozzle of grease gun before greasing.

Replace any missing or broken fittings.

**REMEMBER:** Thorough and regular lubrication is the largest single factor contributing to longer and more satisfactory performance.



## ADJUSTMENTS AND SERVICE



The Hart ScourKleen is available for both grain tank and sacker machines for use in conditions where weed seeds in grain present a cleaning problem.

Screens may be quickly interchanged for various crops by removing the three wing nuts "A" and discharge end cover "B."

Where the dockage is larger than the crop seed, the triangular or slotted type screen can be used in reverse action for harvesting flax or other small seed crops. With this method the cleaned seed comes out of the weed seed spout.

The proper type and size of screen is very important to obtain the full efficiency of the ScourKleen. The wide variety of screens available are as follows:

**1K Standard Screen** (shipped in cleaner) has .165-inch triangular perforations for small grains. This will reduce the dockage content of fine seeds, cracked grain, and dirt found in Durham wheat, spring wheat, oats, barley, rye, and winter wheat.

## SPECIAL CROP SCREENS AVAILABLE

**0N—.171-inch triangular perforations.** It is one size larger than standard 1N and is used to reduce the dockage where the dockage seeds are larger size than normal. More small grain, however, will pass through it also.

**2N—.140-inch triangular perforations.** It is one size smaller than standard screen 1N and is used for reducing small seeds, cracked grain, and dirt from small-kernelled winter wheat, shrunken spring wheat, and average rye.

**3N—.125-inch triangular perforations.** Two sizes smaller than standard 1N used only when grain is exceptionally small and would pass through screen of 2N.

**4N—4.5/64-inch round perforations.** Used to reduce dockage in flax, lespezeza, and other small seed crops. Will remove a portion of the dirt and dockage which is smaller than the crop seeds.

**4-1/4N—5/64 x 1-inch slotted perforations.** Used for grain, small beans and lettuce seed.

**4-1/2N—3/32 x 3/4-inch slotted perforations.** Used only when beans and peas are exceptionally small to reduce the dockage of weed seeds, dirt and splits.

**4-3/4N—7/64 x 3/4-inch slotted perforations.** Used for sunflower seed and Willamette vetch.

**5N—1/8 x 3/4-inch slotted perforations.** Considered standard size for reducing dockage in soybeans or peas.

**5-1/2N—9/64 x 3/4-inch slotted perforations.** Used principally in the north west and west coast for separating oats from peas and vetch.

**6N—5/32 x 3/4-inch slotted perforations.** The size used when soybeans or peas are larger than usual. Also when dockage is larger than normal.

**7N—11/64 x 3/4-inch slotted perforations.** Used for reducing dockage of weed seeds, cracked beans or peas, and dirt from bean and pea crop. Used where there is a considerable amount of large seeds in the crops—such as morning-glory, etc.

**8N—5/32-inch round perforations.** Used for cane and other seed crops. Also in soybeans where there is no dockage for splits.

**9N—1/20-inch round perforations.** Used for clover, alfalfa, carrot seed, grass seed, onion seed, and timothy.

**10N—1/25-inch round perforations.** Used for poppy and other very fine seed crops.

**11N—1/12-inch round perforations.** Used to reduce dockage in flax and in some clover crops.

**12N—3/16-inch round perforations.** Used where it is not desirable to remove splits from various size beans or peas.

**13N—7/32-inch round perforations.** Used where it is not desirable to remove splits from various size beans or peas.

Thank you so much for reading.  
Please click the “Buy Now!”  
button below to download the  
complete manual.



After you pay.

You can download the most  
perfect and complete manual in  
the world immediately.

Our support email:

[ebooklibonline@outlook.com](mailto:ebooklibonline@outlook.com)