

# JOHN DEERE 55, 95 AND 105 COMBINES

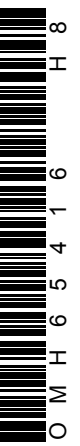


## OPERATORS MANUAL JOHN DEERE 55, 95 AND 105 COMBINES

OMH65416 H8 English

JOHN DEERE HARVESTER WORKS  
OMH65416 H8

LITHO IN THE U.S.A.  
ENGLISH



## TO THE PURCHASER

The combine you have purchased has been carefully designed and manufactured to provide years of dependable, economical service.

To further insure trouble-free service, we recommend that you follow closely all instructions concerning operation, lubrication, adjustments and service. Preventive maintenance has proven to be much more economical than corrective maintenance. Should you require information not covered in this manual, consult your John Deere dealer.

Information concerning warranty on this equipment appears on your copy of the Delivery Receipt which you should have received from your dealer when the equipment was delivered to you.

### KEEP YOUR COMBINE A JOHN DEERE COMBINE

Genuine John Deere Parts fit properly and insure satisfactory service because they are made from the original patterns and from the same materials as used in new machines. If your combine requires replacement parts, go to your John Deere dealer where you can obtain Genuine John Deere Parts—accept no substitutes.

### ATTACHMENTS

In addition to the equipment furnished with your combine, attachments are available to help you do a better job of combining in a special crop or condition. These attachments, illustrated and described in the Attachment section, are available from your John Deere dealer.

### LOCATION REFERENCE

"Right-hand" and "left-hand" sides are determined by facing in the direction the combine will travel when in use.

Radiator end of the engine is referred to as the "front," flywheel end as the "rear."

### SERIAL NUMBERS

Your combine, feeder house, cutting platform, axle, and engine have serial numbers.

When ordering parts, always bring with you the model and serial numbers as given on the serial number plates. By doing so, you will assist your John Deere dealer in giving you prompt, efficient service. For your convenience a space is provided below for recording these numbers.

The combine serial number is on a plate located on the support bracket at the rear end of the fuel tank.

The engine serial number is on a plate located above the starter on 55 and 95 Combines and under the alternator on 105 Combines.

The axle serial number is on the top, left-hand end of the axle tube.

The feeder house serial number is located on the right-hand side sheet.

The cutting platform serial number is located on the right-hand side sheet.

Combine Serial No. \_\_\_\_\_

Engine Serial No. \_\_\_\_\_

Axle Serial No. \_\_\_\_\_

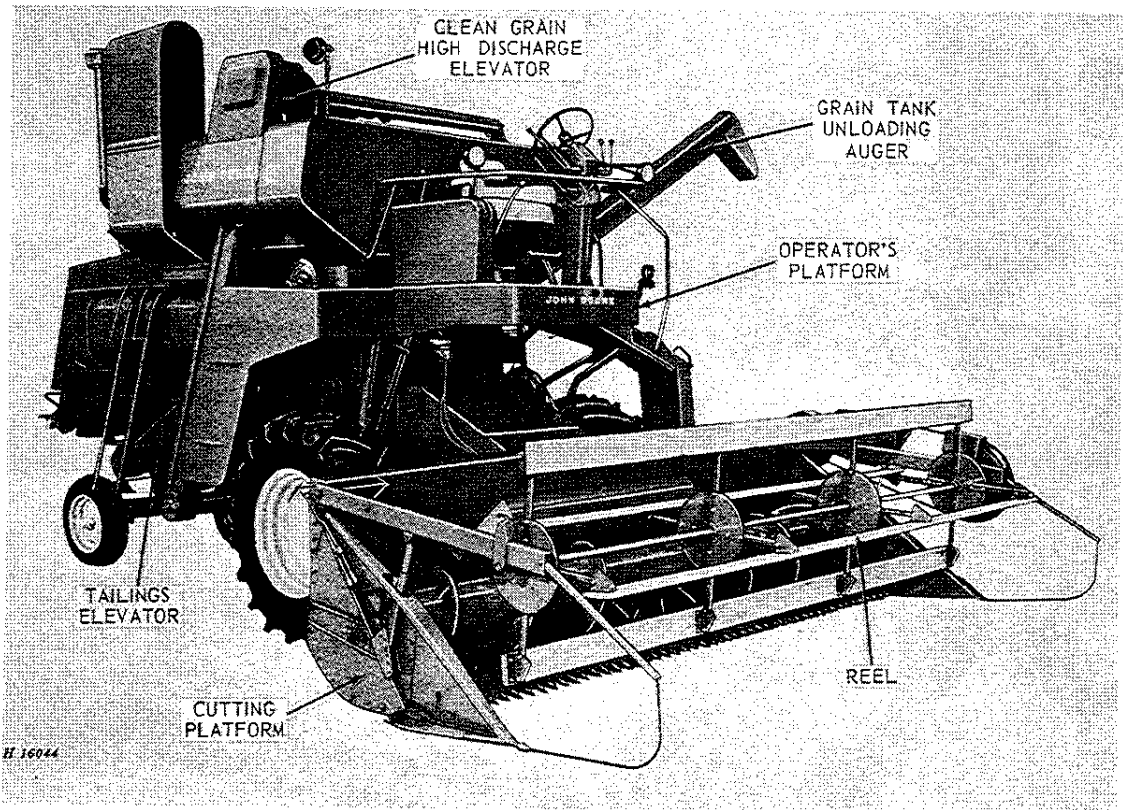
Cutting Platform Serial No. \_\_\_\_\_

Feeder House Serial No. \_\_\_\_\_

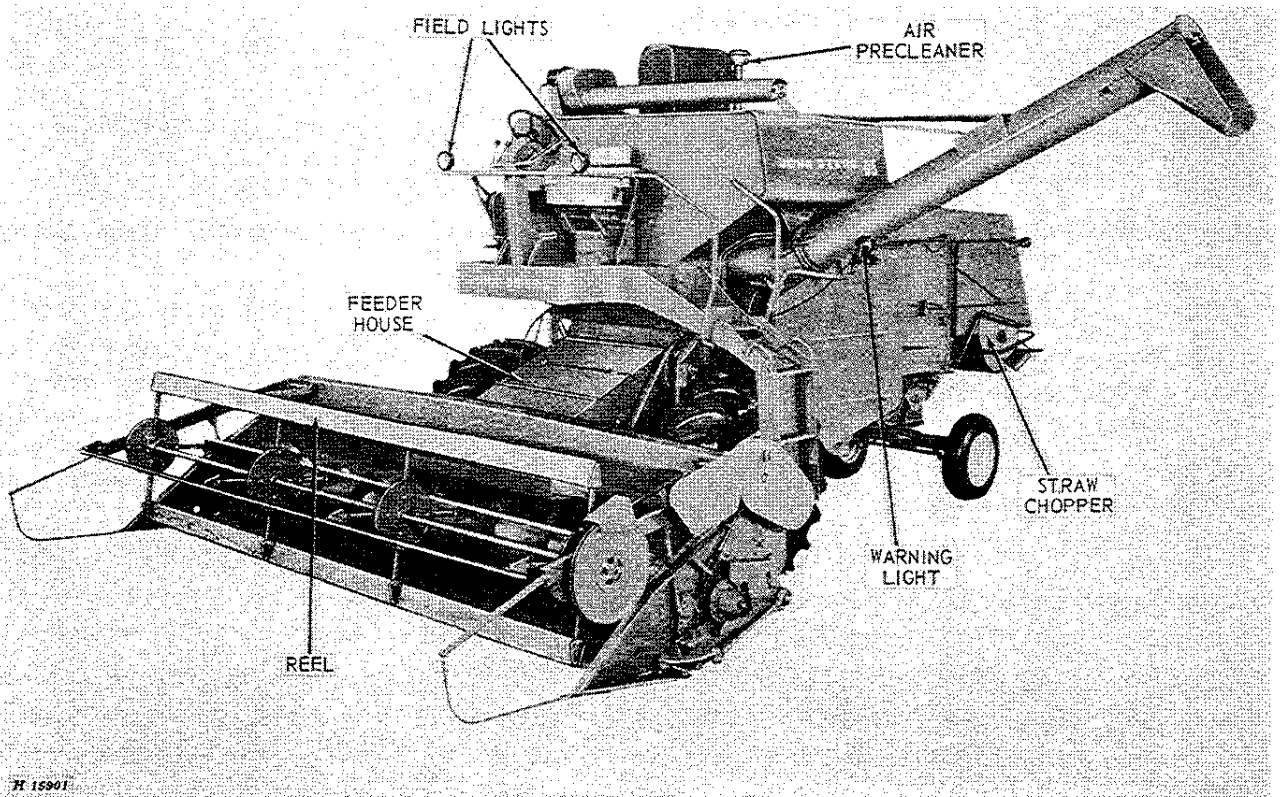
Date Purchased \_\_\_\_\_

## CONTENTS

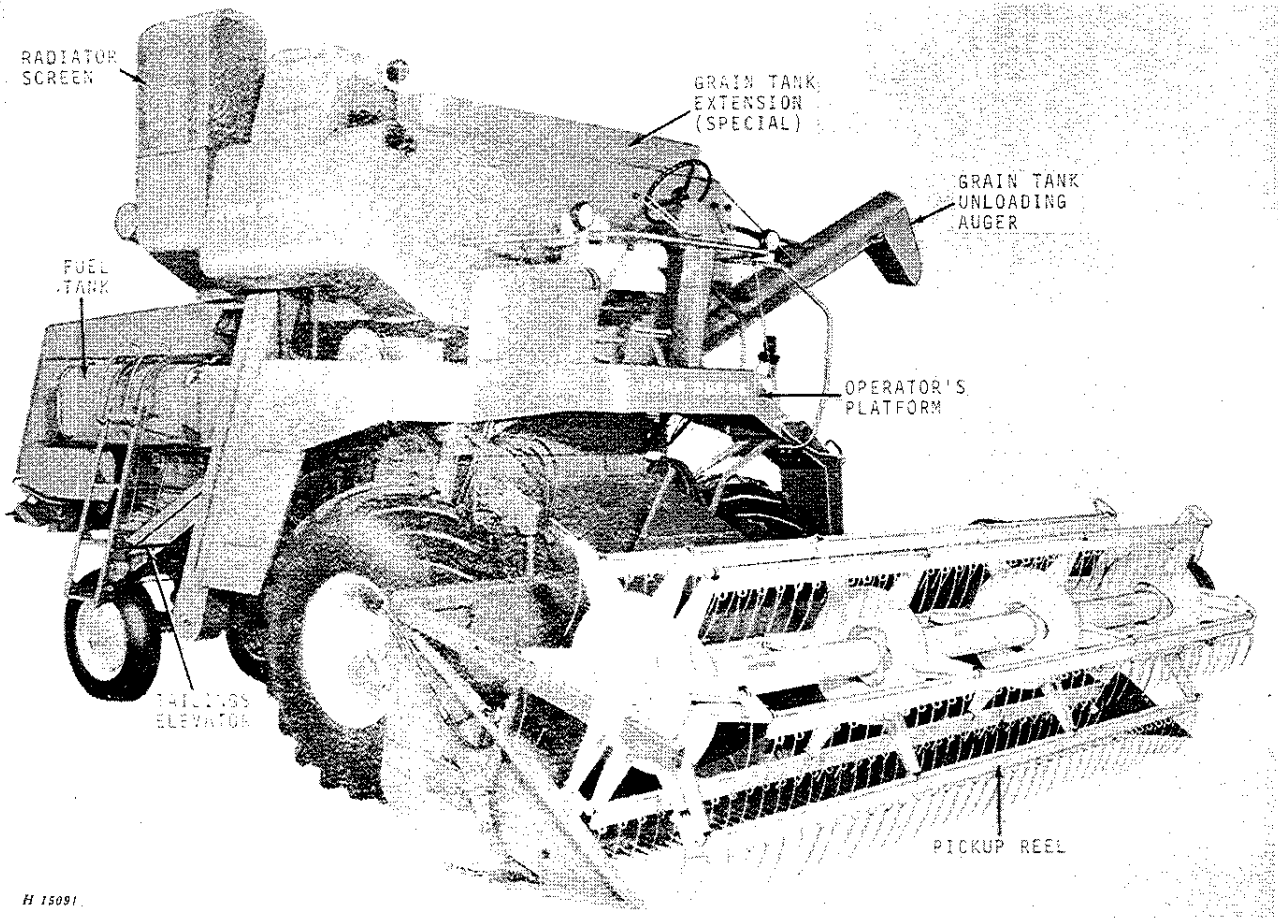
	Page
Specifications . . . . .	3
Controls and instruments . . . . .	10
Operation . . . . .	14
Operating speeds and settings . . . . .	21
Safety suggestions . . . . .	28
Fuels and lubricants . . . . .	29
Lubrication and periodic service . . . . .	31
Adjustments and service . . . . .	54
Trouble shooting . . . . .	125
Attachments . . . . .	142
Index . . . . .	150



John Deere 55 Combine



John Deere 95 Combine



H 15091

John Deere 105 Combine



# SPECIFICATIONS

Description	55 Combine	95 Combine	105 Combine
<b>CUTTER BAR</b>			
Width of cut	12 ft., 13 ft., 14 ft. or 15 ft.	12 ft., 13 ft., 14 ft., 15 ft., 16 ft., 19 ft., or 20 ft.	12 ft., 13 ft., 14 ft., 15 ft., 16 ft., 19 ft., 20 ft., or 22 ft.
Length of cutter bar	6 inches less than width of cut	6 inches less than width of cut	6 inches less than width of cut
Type of knife sections	Heavy-duty over-ser-rated	Heavy-duty over-ser-rated	Heavy-duty over-ser-rated
<b>REEL</b>			
Drive	V-belt	V-belt	V-belt
Number of slats	4 regular; 3, 6 or 8 special	4 regular; 3, 6 or 8 special	4 regular; 3, 6 or 8 special
Diameter of reel	32 in. or 40 in.	32 in. or 40 in.	32 in. or 40 in.
Speed range	15.3 rpm to 56.9 rpm	15.8 rpm to 58.5 rpm	15.8 rpm to 58.5 rpm
Height control	Manual	Manual	Manual
<b>CUTTING PLATFORM</b>			
Type of feed	Auger	Auger	Auger
Cutting height range with 18.4-26 main drive tires	2-7/8 inches below ground level to 34-5/16 inches above	2-7/8 inches below ground level to 34-5/16 inches above	2-7/8 inches below ground level to 34-5/16 inches above
Height control	Hydraulic (2 cylinders)	Hydraulic (2 cylinders)	Hydraulic (2 cylinders)
<b>CUTTING PLATFORM AUGER</b>			
Diameter	20 in.	20 in.	20 in.
Type of auger fingers	Round retracting	Round retracting	Round retracting
<b>BELT PICKUP PLATFORM</b>			
Width	12 ft.	12 ft.	12 ft.
<b>CYLINDER</b>			
Type	Rasp bar or spike tooth	Rasp bar or spike tooth	Rasp bar or spike tooth
Width	30 in.	40 in.	49-1/2 in.
Diameter	22 in.	22 in.	22 in.
Number of bars	8-rasp bar or 10 spike tooth	8-rasp bar or 10 spike tooth	8-rasp bar or 10 spike tooth
Drive	Roller chain	Roller chain	Roller chain
Speed range (Direct)	277 rpm to 1190 rpm	277 rpm to 1190 rpm	277 rpm to 1190 rpm
Speed range (Variable)	211 rpm to 1224 rpm	211 rpm to 1224 rpm	211 rpm to 1224 rpm
<b>CONCAVE</b>			
Type	12 bar open type or spike tooth type	12 bar open type or spike tooth type	12 bar open type or spike tooth type
Width	30 in.	40 in.	49-1/2 in.
<b>BEATER</b>			
Type	Wing (regular) Drum (optional)	Drum	Drum
Width	30 in.	40 in.	49-1/2 in.
Diameter	12 in.	12 in.	12 in.
Speed	680 rpm	680 rpm	680 rpm

Thank you so much for reading.  
Please click the “Buy Now!”  
button below to download the  
complete manual.



After you pay.

You can download the most  
perfect and complete manual in  
the world immediately.

Our support email:

[ebooklibonline@outlook.com](mailto:ebooklibonline@outlook.com)