

4400 COMBINE



OPERATORS MANUAL

4400
COMBINE

OMH88379 J4 English

JOHN DEERE HARVESTER WORKS
OMH88379 J4


LITHO IN THE U.S.A.
ENGLISH





To the Purchaser

This new combine was carefully designed and manufactured to give years of dependable service. To keep it running efficiently, read the instructions in this operator's manual. Each section is clearly identified so you can easily find the information you need whether it is operation, lubrication, or service. Read the Table of Contents to learn where each section is located. Use the alphabetical index for fast reference.

 This safety alert symbol identifies important safety messages in this manual. When you see this symbol, be alert to the possibility of personal injury and carefully read the message that follows.

Your operator's manual contains SI Metric equivalents which follow immediately after the U.S. customary units of measure.

This operator's manual covers the feeder house and separator areas of the combine. For platform and corn head information, see the separate operator's manuals furnished with that equipment.

In addition to the equipment furnished with your combine, attachments are available to help you

do a better job in special crop conditions. These are described in the attachments section of this manual and can be purchased from your John Deere dealer.

"Right-hand" and "left-hand" sides are determined by facing in the direction the combine will travel when in use. The radiator end of the engine is referred to as the "front," the flywheel end as the "rear."

Record your combine serial numbers in the space provided on page 172. Your dealer needs this information to give you prompt, efficient service when you order parts or attachments. If your combine requires replacement parts, go to your John Deere dealer where you can obtain Genuine John Deere parts—accept no substitutes.

The warranty on this combine appears on your copy of the purchase order which you should have received from your dealer when you purchased the combine.

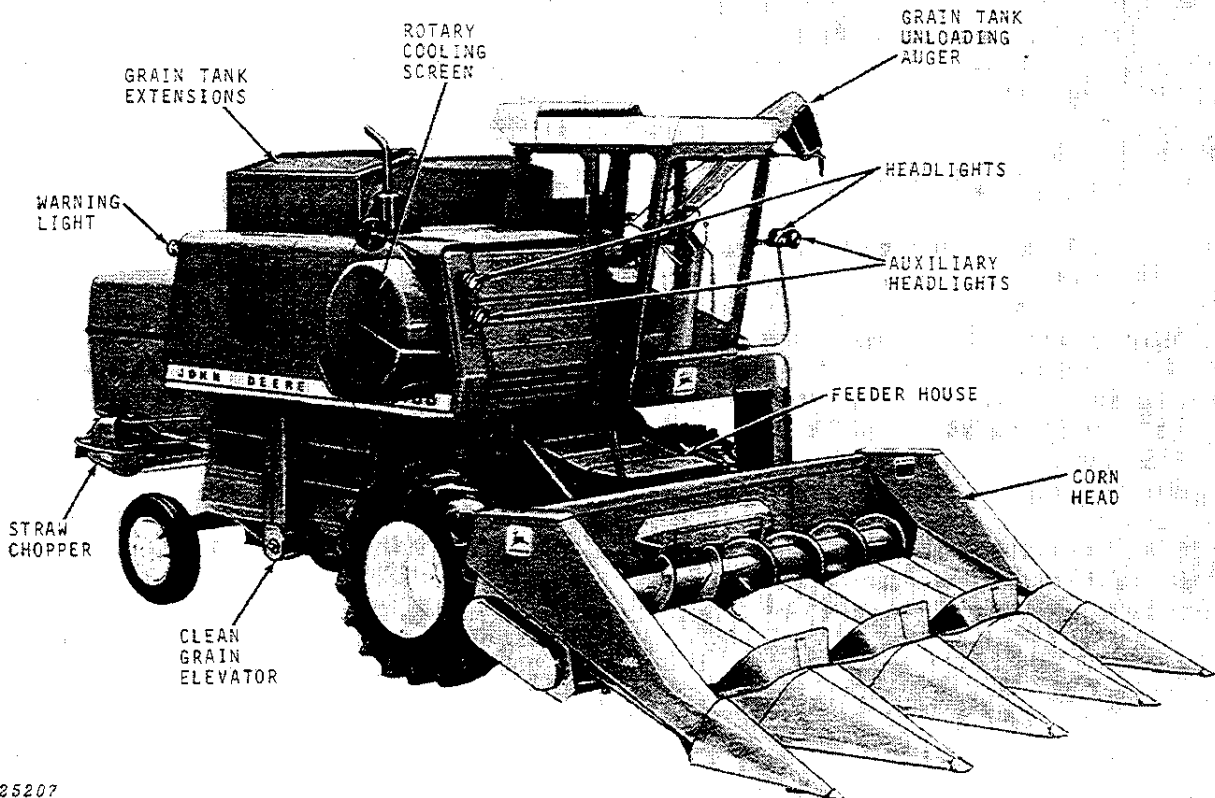


H24904



Contents

	Page
Safety suggestions	2-3
Controls and instruments	4-6
Operation	7-45
Fuels and lubricants	46-47
Lubrication and periodic service	48-60
Service	61-144
Trouble shooting	145-162
Storage	163-165
Attachments	166-169
Specifications	170-173
Index	174-177



H25207

John Deere 4400 Combine



Safety Suggestions

! The safety of the operator was one of the prime considerations in the minds of John Deere engineers when this combine was designed. Shielding, simple adjustments, and other safety features were built into the combine wherever possible.

All machinery should be operated only by responsible persons who have been delegated to do so.

Only the operator should be allowed on the operator's platform when the combine is in operation.

Clothing worn by combine operator should be fairly tight and belted. Loose jackets, shirts, or sleeves should never be worn because of the danger of getting into moving parts.

Be sure shields and guards are in place and in good condition before starting in the field.

Escaping fluid under pressure can have sufficient force to penetrate the skin, causing serious personal injury. Before disconnecting lines be sure to relieve all pressure. Before applying pressure to system, be sure all connections are tight and that lines, pipes and hoses are not damaged. Fluid escaping from a very small hole can be almost invisible. Use a piece of cardboard or wood, rather than hands, to search for suspected leaks.

If injured by escaping fluid, see a doctor at once. Serious infection or reaction can develop if proper medical treatment is not administered immediately.

Before applying cylinder breaker, always disengage separator and shut off combine engine. After clearing cylinder, remove cylinder breaker before re-starting engine and engaging separator.

Use the hand rail when mounting the combine.

Make sure everyone is clear of the combine before starting so they cannot be struck by moving parts or caught in a drive belt or chain.

Never clean, lubricate, or adjust the combine when it is running.

Be especially careful when operating on hillsides because the combine may tip sideways if it strikes a hole, ditch, or other irregularity.

Always keep the combine in gear when going down hills.

Lower safety stop when working on platform or corn head.

Before leaving the combine unattended, support the cutting platform or corn head with either the hydraulic cylinder safety stop or with blocks, or lower it to ground level.

Never attempt to clear obstructions off the platform or corn head unless the combine is stopped and the engine shut off.

Keep the operator's platform clean. Do not use it as a place to carry loose tools, lunch boxes, etc.

Keep the engine clean of chaff and straw to prevent the possibility of fires.

Maintain a fire extinguisher in a easily accessible location and be familiar with its correct use.

Refuel your combine only when the engine has been shut off. Do not smoke or have an open flame when refueling.

Refill the overflow tank only when the engine is stopped or idling slowly. This combine has a pressurized closed cooling system. To avoid being scalded when radiator cap is removed, first turn cap slightly to the stop which allows steam to escape into the overflow tank. After all pressure is relieved, remove cap. See pages 136-137.

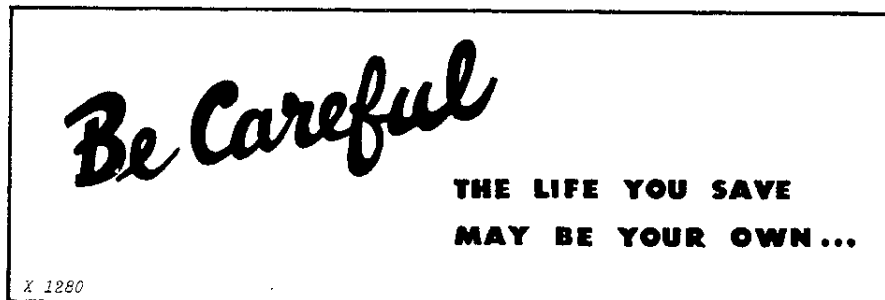
Be sure the gearshift lever of your combine is in neutral and clutch pedal fully depressed before starting the engine.

Adjust combine brakes so pressure is equally applied. Reduce variable ground speed before applying brakes. Apply brakes evenly at transport speeds to avoid drawing combine to one side. Quick stops can result in combine nosing forward. Drive with care to allow controlled application of brakes at all times.

Before using booster battery, read instructions under "Cold Weather Battery Service."

When transporting the combine on a road or highway at night or during the day, use accessory lights and devices provided for adequate warning to the operators of other vehicles. In this regard, check your local governmental regulations.

Fold the unloading auger when transporting.



Thank you so much for reading.
Please click the “Buy Now!”
button below to download the
complete manual.



After you pay.

You can download the most
perfect and complete manual in
the world immediately.

Our support email:

ebooklibonline@outlook.com