

3375 Skid-Steer Loader

(Serial No. 130001 –)

OPERATOR'S MANUAL

**John Deere
Lawn & Grounds Care Division
OMM120644 H5**

North American Version
Litho in U.S.A
English

INTRODUCTION

THANK YOU for purchasing a John Deere product.

Read this manual and your attachment manuals thoroughly. Failure to do so could result in personal injury or equipment damage.



CALIFORNIA
Proposition 65 Warning

Diesel engine exhaust and some of its constituents are known to the State of California to cause cancer, birth defects, and other reproductive harm.

This manual should be considered a permanent part of your machine and should remain with the machine when you sell it.

Measurements in this manual are metric units and their U.S. customary equivalents. RIGHT-HAND and LEFT-HAND sides are determined by facing in the direction the machine will travel when going forward. When you see a broken line arrow (- - - - ->) it indicates the part it is pointing to is hidden.

Record identification numbers below. Be sure to record all the numbers to help in tracing the machine if it is stolen. You also need to give these numbers to your dealer when you order parts.

Date of Purchase:

Dealer Name: _____ **Phone:** _____

Machine Serial Number:
□ □ □ □ □ □ □ □ □ □ □ □ □ □ □ □ □ □

Engine Serial Number:
□ □ □ □ □ □ □ □ □ □ □ □ □ □ □ □ □ □

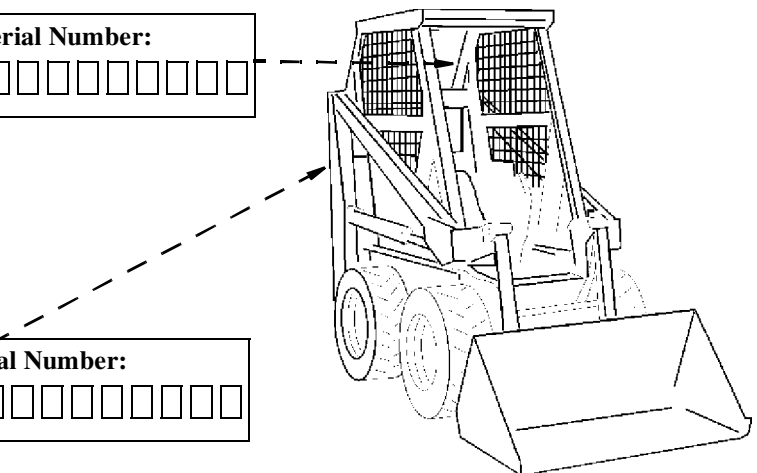


TABLE OF CONTENTS

	Page
Safety Signs	
Safety-Alert Symbol	1
Machine Safety Labels	1
Certification Label	4
Controls	
Hand Controls	5
Foot Controls	6
Instrument Panel	6
Control Panel	7
Indicator Lights	7
Lift Arm Stop Control Lever	8
Operate Safely	
Operator Training Required	9
Use Seat Belt Properly	9
Protect Children	10
Keep Riders Off Machine	10
Park Safely	10
Avoid Tipping	11
Avoid Death	11
Remember The Other Guy	11
Avoid Injury	12
Avoid Hazards	12
Use Handholds And Steps	13
Wear Appropriate Clothing	13
Check Wheel Bolts	13
Prevent Machine Runaway	14
Avoid An Explosion	14
Work In Ventilated Area	14
Transport Safely	15

TABLE OF CONTENTS

	Page
Operating Engine	
Daily Operating Checklist.....	16
Testing Safety Systems	16
Checking Boom Safety Interlock	20
Starting Engine.....	21
After Starting	24
Warming Engine.....	25
Operating Engine Under Load	26
Stopping Engine.....	26
Operating Loader	
Operate Loader Safely	28
Engine Will Not Start And Boom Will Not Operate.....	29
Using Park Brake	30
Using Traction Drive Lever.....	30
Using Drive Control Levers	30
Using Lift Arm And Bucket Control Pedals.....	31
Using Lift Arm Stop Control Lever.....	32
Driving On A Road	33
Operating Tips.....	33
Digging With Bucket.....	34
Backfilling Or Leveling With Bucket	35
Loading Bucket–Arc Penetration.....	36
Loading Bucket–Step Penetration.....	37
Dumping Bucket.....	38
Parking Loader.....	39
After Operation.....	40
Installing Bucket	
Park Vehicle Safely	41
Avoid High Pressure Fluids.....	41
Installing Bucket.....	42

TABLE OF CONTENTS

	Page
Removing Bucket	
Park Vehicle Safely.....	43
Avoid High Pressure Fluids	43
Removing Bucket.....	44
Service Machine Safely	
Service Machine Safely	45
Wear Appropriate Clothing	46
Handling Waste Product And Chemicals.....	46
Avoid High Pressure Fluids	47
Service Cooling System.....	47
Service Interval Chart	
Service Intervals	48
Hour Meter.....	49
Service Engine And Hydraulics	
Avoid Fumes.....	50
Diesel Engine Oil/Lubricants.....	50
General Purpose Grease.....	51
Hydraulic Oil	51
Checking Engine Oil Level.....	51
Checking Hydraulic Oil Level.....	52
Checking Coolant Level.....	53
Emptying Dust Valve	54
Cleaning Radiator	54
Lubricating Traction Drive Pivot Arm	55
Cleaning Hydraulic System Breathers.....	55
Changing Engine Oil And Filter	56
Cleaning Hydraulic Oil Screen.....	57
Replacing Hydraulic Filter.....	58

Thank you so much for reading.
Please click the “Buy Now!”
button below to download the
complete manual.



After you pay.

You can download the most
perfect and complete manual in
the world immediately.

Our support email:

ebooklibonline@outlook.com