

TRS22
Walk-Behind
Snowblower
(Serial No. 140001 –)

OPERATOR'S
MANUAL

John Deere
Lawn & Grounds Care Division
OMM122054 H5

North American Version
Litho in U.S.A
English

INTRODUCTION

THANK YOU for purchasing a John Deere product.

Read this manual and your attachment manuals thoroughly. Failure to do so could result in personal injury or equipment damage.



C WARNING: The Engine Exhaust from this product contains chemicals known to the State of California to cause cancer, birth defects or other reproductive harm.

CALIFORNIA Proposition 65 Warning

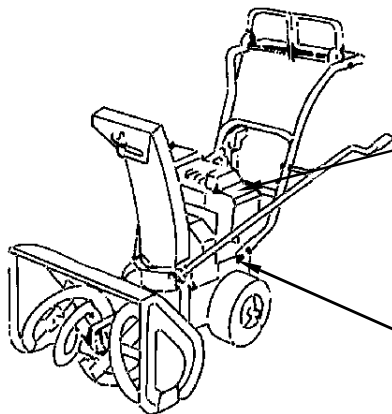
This manual should be considered a permanent part of your machine and should remain with the machine when you sell it.

Measurements in this manual are metric units and their U.S. customary equivalents. RIGHT-HAND and LEFT-HAND sides are determined by facing in the direction the machine will travel when going forward. When you see a broken line arrow (- - - ➔) it indicates the part it is pointing to is hidden.

Record identification numbers below. Be sure to record all the numbers to help in tracing the machine if it is stolen. You also need to give these numbers to your dealer when you order parts.

Date of Purchase:

Dealer Name: _____ **Phone:** _____



Engine Model Number:
□ □ □ □ □ □ □ □ □ □ □ □ □ □ □ □

Machine Serial Number:
□ □ □ □ □ □ □ □ □ □ □ □ □ □ □ □

TABLE OF CONTENTS

	Page
Safety Signs	
Safety-Alert Symbol.....	1
Machine Safety Labels	1
Certification Label.....	2
Controls	
Snowblower Controls.....	3
Engine Controls	3
Operating	
Operate Safely.....	4
Rotating Blades Are Dangerous - Protect Children And Prevent Accidents	5
Wear Appropriate Clothing	5
Adjusting Skids	6
Using Speed Selector Lever.....	7
Using Drive Control Lever.....	9
Using Fuel Shutoff Knob.....	10
Starting Engine	10
Electric Start (Optional Equipment)	12
Stopping Engine	13
Emergency Stopping	14
Using Wheel Lockout.....	15
Using Chute And Spout Controls.....	15
Daily Operating Checklist	16
Avoid Damage To Plastic And Painted Surfaces.....	16
Snowblowing Tips.....	16
Service Machine Safely	
Practice Safe Maintenance.....	17
Wear Appropriate Clothing	17
Avoid Injury From Moving Parts.....	18
Handling Waste Products	18

TABLE OF CONTENTS

	Page
Service	
Service Intervals.....	19
Engine Oil.....	21
Grease	22
Checking Engine Oil.....	23
Changing Engine Oil	23
Gapping Spark Plug.....	25
Adjusting Carburetor	25
Checking Gearbox Lubricant.....	26
Cleaning Fuel Cap Vents	27
Adjusting Auger Drive Belt	28
Adjusting Belt Guides.....	29
Replacing Auger Drive Belt.....	30
Replacing Traction Drive Belt.....	31
Adjusting Friction Wheel	33
Replacing Shear Bolt	34
Reversing Scraper Blade	35
Replacing Fuel Filter	35
Adjusting Traction And Auger Drive Cable.....	36
Lubricating Friction Disc Hub	36
Lubricate Auger Shaft	37
Lubricate Wheel Axle	37
Filling Fuel Tank Safely.....	38
Filling Fuel Tank.....	39
Fuel Recommendations	39
Check Tire Pressure	40
Troubleshooting	
Using Troubleshooting Chart	41
Storing Machine	
Storing Snowblower Safely	44
Storing Snowblower	44
Removing Snowblower From Storage	45

TABLE OF CONTENTS

	Page
Assembly	
Adjustments	47
Install Handlebars	47
Install Chute Crank	48
Install Auger And Traction Drive Cable Ends	50
Install Chute	50
Check Tire Pressure	50
Adjust Skid Height	51
Add Engine Oil	51
Specifications	
Engine	52
Machine	52
Auger	53
Blower	53
Recommended Lubricants	53
Warranty Information	
Product Warranty	54
John Deere Service Literature Available	
Order Form	55

All information, illustrations and specifications in this manual are based on the latest information at the time of publication. The right is reserved to make changes at any time without notice.

COPYRIGHT© 1995
John Deere Horicon Works
All rights reserved
Previous Editions
COPYRIGHT© 1994 and 1992

Thank you so much for reading.
Please click the “Buy Now!”
button below to download the
complete manual.



After you pay.

You can download the most
perfect and complete manual in
the world immediately.

Our support email:

ebooklibonline@outlook.com