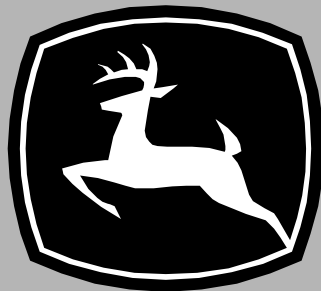


JOHN DEERE
WORLDWIDE COMMERCIAL & CONSUMER
EQUIPMENT DIVISION

Mechanical Tiller
30-Inch

OMM153409 C8

OPERATOR'S MANUAL



JOHN DEERE

All information, illustrations and specifications in this manual are based on the latest information at the time of publication. The right is reserved to make changes at any time without notice.

COPYRIGHT© 2008
Deere & Co.

John Deere Worldwide Commercial and Consumer Equipment Division
All rights reserved
Previous Editions
COPYRIGHT© 2005, 2007

North American Version
Litho in U.S.A.

INTRODUCTION

Introduction

Using Your Operator's Manual

Read this entire operator's manual, especially the safety information, before operating.

This manual is an important part of your machine. Keep all manuals in a convenient location so they can be accessed easily.

Use the safety and operating information in the attachment operator's manual, along with the machine operator's manual, to operate and service the attachment safely and correctly.

If your attachment manual has a section called Preparing the Machine, it means that you will have to do something to your tractor or vehicle before you can install the attachment. The Assembly and Installation sections of this manual provide information to assemble and install the attachment to your tractor or vehicle. Use the Service section to make any needed adjustments and routine service to your attachment.

If you have any questions or concerns with the assembly, installation, or operation of this attachment, see your local John Deere dealer or call the John Deere Customer Contact Center at 1-800-537-8233 for assistance.

Warranty information on this John Deere attachment can be found in the warranty that came with your John Deere tractor or vehicle.

Product Identification

Product Compatibility

This Tiller is compatible with the X500 Series Multi-Terrain™ Tractors.

Record Identification Numbers

Mechanical Tiller

30-Inch Serial No. (010001-)

If you need to contact an Authorized Service Center for information on servicing, always provide the product model and serial number.

You will need to locate the model and serial number for the mower deck and record the information in the spaces provided below.

DATE OF PURCHASE:

DEALER NAME:

DEALER PHONE:

PRODUCT SERIAL NUMBER:

Safety Labels



Understanding The Machine Safety Labels

The machine safety labels shown in this section are placed in important areas on your machine to draw attention to potential safety hazards.

On your machine safety labels, the words DANGER, WARNING, and CAUTION are used with this safety-alert symbol. DANGER identifies the most serious hazards.

The operator's manual also explains any potential safety hazards whenever necessary in special safety messages that are identified with the word, CAUTION, and the safety-alert symbol.

WARNING



M133566

WARNING

- To avoid injury from rotating knives, keep hands, feet and clothing away.

CAUTION



M117627

CAUTION - AVOID INJURY FROM LOSS OF BRAKING OR STEERING

- Install ballast per Operator's Manual.

CAUTION



M117555

CAUTION - AVOID INJURY

- Read operator's manual.
- Ballast power unit per operator's manual.
- Know location and function of controls.
- Keep all shields in place.
- Stay clear of power driven parts.
- Never carry riders.
- Keep children and pets a safe distance away from machine.

SAFETY

- Before servicing or leaving machine:
 - Stop engine.
 - Set park brake.
 - Lower or block up machine.
 - Remove key.

Safety

Read Safety in Machine Operator's Manual

Read the general safety operating precautions in your machine operator's manual for additional safety information.

Operating Safely

- Read the machine and attachment operator's manual carefully. Be thoroughly familiar with the controls and the proper use of the equipment. Know how to stop the machine and disengage the controls quickly.
- Do not let children or an untrained person operate machine.
- Never operate the machine without proper guards or other safety devices in place.
- Disengage all clutches and shift into neutral before starting the engine.
- Inspect machine before you operate and at frequent intervals while operating. Be sure hardware is tight. Repair or replace damaged badly worn, or missing parts.
- Make any necessary adjustments before you operate. Never attempt to make any adjustments while the engine is running, unless if recommended in adjustment procedure.
- Take all possible precautions when leaving the machine unattended. Shut off the engine before unplugging the attachment, or when making any repairs, adjustments, or inspections. Disengage the PTO, lower the attachment, lock the parking brake, stop the engine, and remove the key.
- Only operate during daylight or with good artificial light.
- Look behind machine before you back up. Back up carefully.
- Do not let anyone, especially children, ride on machine or attachment. Riders are subject to injury such as being struck by foreign objects and being thrown off. Riders may also obstruct the operator's view, resulting in the machine being operated in an unsafe manner.
- Do not operate machine when you are tired or ill or under the influence of drugs or alcohol.
- Never operate the machine at high transport speeds on slippery surfaces.
- Use only attachments and accessories approved by the manufacturer of this product.
- After striking a foreign object, park machine safely, thoroughly inspect the machine for any damage, and repair the damage before starting and operating the machine.
- Use extreme caution when operating on or near gravel drives, walks, or roads. Stay alert for hidden hazards or traffic.
- If the machine vibrates abnormally, stop the engine and check immediately for the cause. Vibration is generally a warning of trouble.
- Disengage any power to the attachment when the machine is transported or not in use.
- Do not wear radio or music headphones while operating the machine. Safe operation requires your full attention.

- Always refer to the Storage section of the operator's manual for important details if storing this product for a long period of time.

Parking Safely

1. Stop machine on a level surface, not on a slope.
2. Disengage PTO and stop attachments.
3. Lower attachments to the ground.
4. Lock park brake.
5. Stop engine.
6. Remove key.
7. Wait for engine and all moving parts to stop before you leave the operator's station.
8. Close fuel shut-off valve, if your machine is equipped.
9. Disconnect the negative (-) battery cable before servicing the machine.

Checking Area to be Tilled

- Clear the area to be tilled of objects that you do not want tilled into the ground or that might damage the tiller.
- Keep people and pets out of the work area. Keep children indoors when operating the machine and attachment. Turn the machine off if anyone enters the area.
- Set up a safe tilling pattern. Do not till under conditions in which traction or stability is doubtful.

Practice Safe Maintenance

- Only qualified, trained adults should service this machine.
- Understand service procedure before doing work. Keep area clean and dry.
- Do not operate the engine in a confined space where dangerous carbon monoxide fumes can collect.
- Never lubricate, service or adjust the machine or attachment while it is moving. Keep safety devices in place and in working condition. Keep hardware tight.
- Keep hands, feet, clothing, jewelry, and long hair away from any moving parts, to prevent them from getting caught.
- Lower any attachment completely to the ground or to an existing attachment mechanical stop before servicing the attachment. Disengage all power and stop the engine. Lock park brake and remove the key. Let machine cool.
- Disconnect battery or remove spark plug wire (for gasoline engines) before making any repairs.
- Before servicing machine or attachment, carefully release pressure from any components with stored energy, such as hydraulic components and springs.
- Release hydraulic pressure by lowering attachment or cutting units to the ground or to a mechanical stop and move hydraulic control levers.
- Securely support any machine or attachment elements that must be raised for service work. Use jack stands or lock service latches to support components when needed.
- Never run engine unless park brake is locked.
- Keep all parts in good condition and properly installed. Fix damage immediately. Replace worn or broken parts. Replace all worn or damaged safety and instruction decals.
- Check all hardware at frequent intervals to be sure the equipment is in

ASSEMBLY

safe working condition.

- Do not modify machine or safety devices. Unauthorized modifications to the machine or attachment may impair its function and safety.

Avoid Injury from Moving Parts

Before cleaning, repairing, or inspecting, make certain all moving parts have stopped. Disconnect the tractor spark plug wire or battery to prevent accidental starting.

Do not put hands or feet near or under rotating parts. Keep clear of any discharge area at all times.

Protect your hands when you inspect or unplug the attachment. Wear gloves and use proper tools.

Before you dismount to unplug or adjust attachment:

- Disengage PTO.
- Stop the engine.
- Lock the park brake.
- Remove the key.
- Wait for all moving parts to stop.
- Keep hands, feet and clothing away from attachment when engine is running.



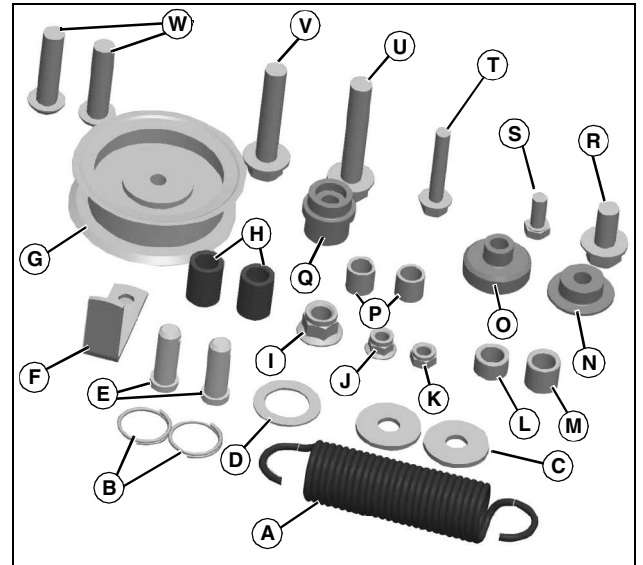
Avoid High Pressure Fluids

- Hydraulic hoses and lines can fail due to physical damage, kinks, age, and exposure. Check hoses and lines regularly. Replace damaged hoses and lines.

- Hydraulic fluid connections can loosen due to physical damage and vibration. Check connections regularly. Tighten loose connections.
- Escaping fluid under pressure can penetrate the skin causing serious injury. Avoid the hazard by relieving pressure before disconnecting hydraulic or other lines. Tighten all connections before applying pressure.
- Search for leaks with a piece of cardboard. Protect hands and body from high pressure fluids.
- If an accident occurs, see a doctor immediately. Any fluid injected into the skin must be surgically removed within a few hours or gangrene may result. Doctors unfamiliar with this type of injury should reference a knowledgeable medical source. Such information is available from Deere & Company Medical Department in Moline, Illinois, U.S.A. Information may be obtained in the United States and Canada only by calling 1-800-822-8262.

Assembly

Identify Parts - Bag of Parts



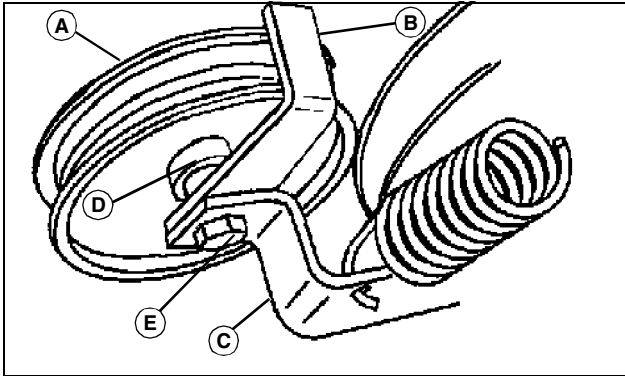
MX36221

Qty.	Description
1	Spring (A)
2	Locking Ring (Pins to yoke) (B)
2	Washer, 13x37x3 (C)
1	Washer, 38x26x1.2 (D)
2	Pin, Drilled (Yokes to lift linkage) (E)
1	Guide, Belt (F)
1	Sheave, Idler (G)
2	Spacer, Center Mounting (19 OD x 27) (H)
5	Locknut, M12 (I)
1	Locknut, M8 (Primary belt sheave) (J)
1	Locknut, M8 (Stop on lift arm) (K)
1	Spacer, Shorter Pivot (19 OD x 12) (Left rear mount) (L)
1	Spacer, Longer Pivot (19 OD x 17) (M)
1	Bushing, Outer (Lift arm to tractor, manual only) (N)
1	Bushing, Inner (Lift arm to tractor, manual only) (O)
2	Spacer, 16 OD x 15 (long spacer on front mount) (P)
1	Bushing, (Lift Arm to Tractor) Hydraulic only (Q)
1	Bolt, M12x25 (R)
1	Bolt, M8x20 (Stop on lift arm) (S)
1	Bolt, M8x50 (Primary Belt Idler) (T)

PREPARING VEHICLE

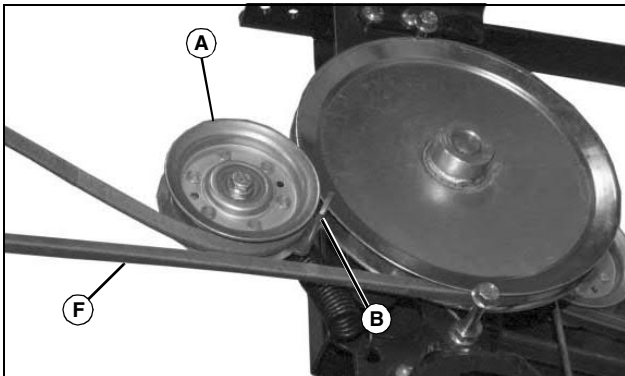
Qty.	Description
1	Bolt, M12x70 (Right rear mount) (U)
1	Bolt, M12x65 (Left rear mount) (V)
2	Bolt, Socket Head (W)

Install Idler Sheave



M97634

1. Position idler sheave (A) and belt guide (B) onto tensioning arm (C). Make sure shoulder (D) of sheave bushing is seated against the belt guide.
2. Install M8x50 flange bolt (E) from bottom side of idler sheave. Install M8 locknut at top side of sheave. Do not tighten completely.



MX35343

3. Route belt (F) between belt guide (B) and idler sheave (A).
4. Adjust the position of belt guide (B) as shown. Make sure belt guide does not contact idler sheave.

NOTE: Make sure belt guide does not move out of position when tightening locknut.

5. Hold bolt head (E) with wrench and tighten M8 locknut completely at top side of idler sheave.
6. After tightening, make sure the idler sheave rotates freely on the tensioning arm.
7. Pull the belt tight and make sure belt guide does not contact idler sheave or belt.

Preparing Vehicle

Machine Setup

NOTE: Parts installed during preparing vehicle do not need to be removed and can remain on tractor.

Remove Mower Deck

The mower deck must be removed from your tractor before installing the tiller. See your tractor operator's manual or mower deck manual for removal instructions.

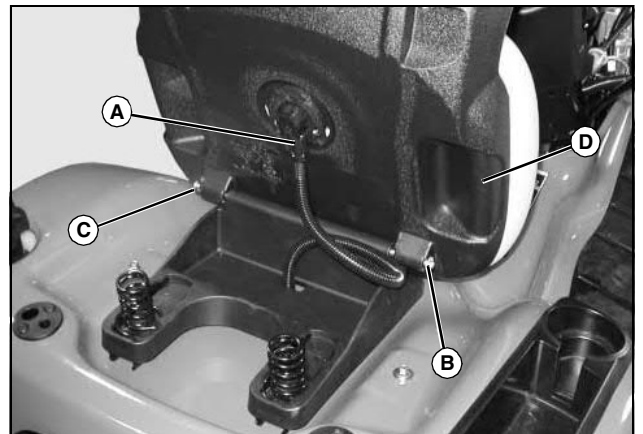
Remove any attachments

Attachments if installed on tractor must be removed from your tractor before installing the tiller. See your tractor operator's manual or attachment manual for removal instructions.

Remove Fender Deck

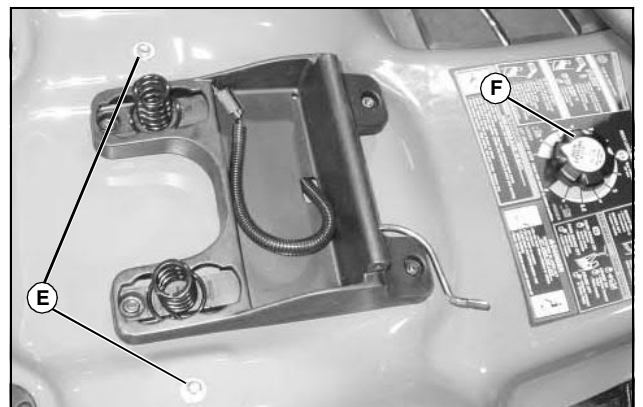
NOTE: Fender deck removal only needs to be done for the first time the tiller is installed.

1. Park machine safely with park brake locked. See "Parking Safely" in the Safety section.
2. Raise hood. Disconnect negative battery terminal.



MX36329

3. Disconnect seat switch wiring connector (A) from seat switch.
4. Remove the retaining ring (B) and pivot pin (C). Remove the seat (D).



MX36330

5. Remove the two bolts (E) from the top of the fender deck.
6. Remove the deck height adjustment knob (F).

Thank you so much for reading.
Please click the “Buy Now!”
button below to download the
complete manual.



After you pay.

You can download the most
perfect and complete manual in
the world immediately.

Our support email:

ebooklibonline@outlook.com