



NO. 100 ONE-ROW CORN SNAPPER SERIAL NO. 100-1751



JOHN DEERE

OPERATORS MANUAL NO. 100 ONE-ROW CORN SNAPPER SERIAL NO. 100-1751

OMN11251 (01FEB51) English

OMN11251 (01FEB51)

LITHO IN THE U.S.A.
ENGLISH



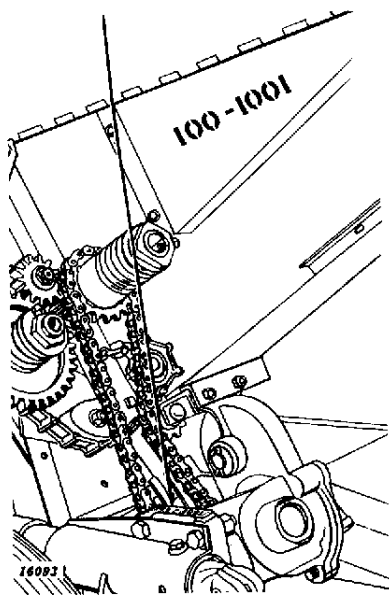
INTRODUCTION

Back of your John Deere No. 100 Corn Snapper is an organization that has been building farm equipment for more than one hundred years. In the plant where your corn snapper was built, fine materials, high-grade workmanship, complete testing, and thorough inspection are combined to give you dependable performance and economical operation.

The way you operate your corn snapper and the care you give it have much to do with the service and satisfaction you will get from it. This manual has been carefully prepared and illustrated to show you what to do, when to do it, and how to do it. Make it your guide. Study it carefully. Refer to it often. Keep it handy at all times for quick reference. Only by following the instructions it contains can you hope to get the most from your investment.

If you find you need information not covered in this manual, see your

SERIAL NUMBER _____



DATE PURCHASED _____

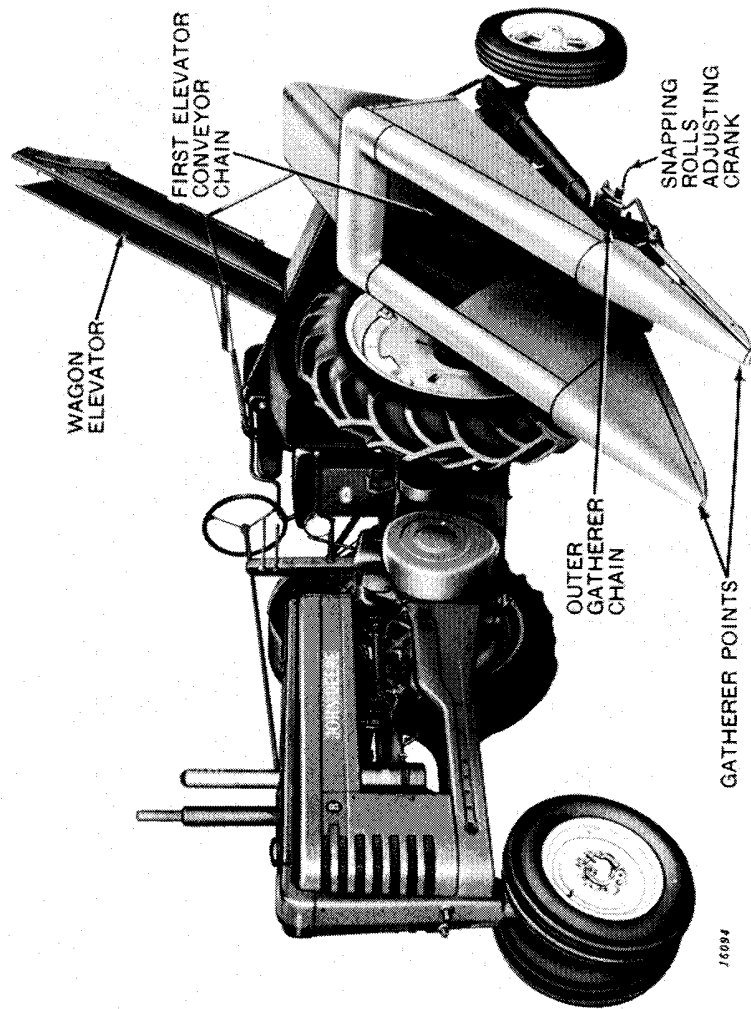
John Deere dealer. He has the latest information on how to get the best service from your machine and can give you prompt "know-how" service in the field or in his shop.

When in need of parts, go to your John Deere dealer. Be sure to give him the correct part number and a complete description of the part. This information can be obtained by referring to the exploded view section of this manual, where these parts can be readily and accurately identified. Also be sure to give him the serial number and the year purchased. This information should be recorded in the space provided on this page as soon as you have received your snapper.

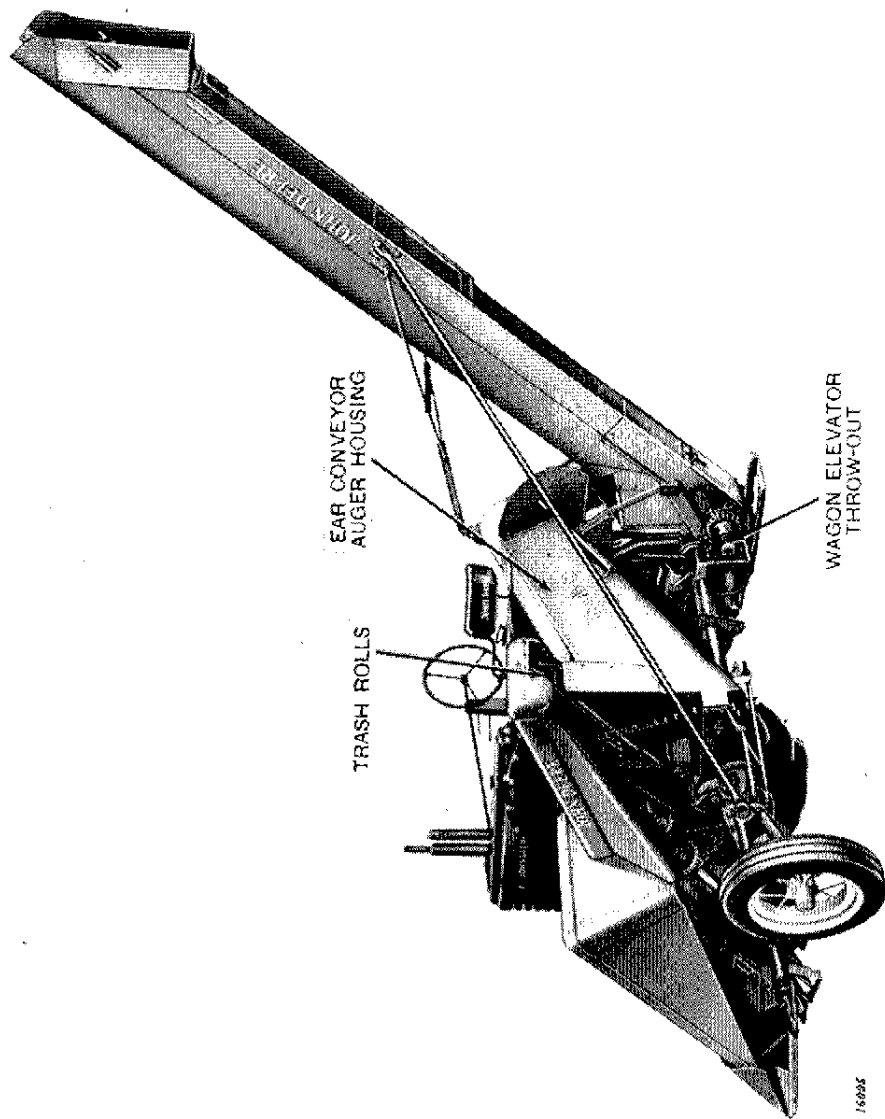
LOCATION REFERENCES: "Right" and "Left," "Front" and "Rear," refer to the operator's "Right" or "Left," and "Front" or "Rear," when facing the same direction machine is headed or traveling.

TABLE OF CONTENTS

	<i>Page</i>
SPECIFICATIONS AND DATA.....	4
LUBRICATION.....	5-8
OPERATION.....	9-12
Breaking in the New Snapper.....	9
Starting in the Field.....	9
Operating Precautions.....	12
OPERATING ADJUSTMENTS.....	12-29
Tilting.....	12-13
Gatherers.....	14-15
Snapping Rolls.....	16-18
First Elevator.....	19
Trash Rolls.....	19
Wagon Elevator.....	20-21
Raising Jack.....	21-22
Storage Wheel.....	22
Slip Clutches.....	23
Chains.....	23-24
Drive Chains.....	25-26
Care of Rubber Tires.....	27
Tire Inflation Chart.....	28
When the Season Is Over.....	29
PICKING DIFFICULTIES.....	30-36
SPECIAL EQUIPMENT.....	37-43
"Powr-Trol" Adapting Parts.....	37
Fan.....	38-39
Gatherer Fender Sticks.....	40
Spiral Strips for Snapping Rolls.....	40
Trash Knives for Snapping Rolls.....	41
Wagon Tongue Hinges.....	42-43
Wagon Stub Tongue.....	43
Wagon Box Steel Flareboards.....	43
SHIPPING BUNDLES.....	44-45
SETTING-UP INSTRUCTIONS.....	46-79
Section I—General Setting-Up Instructions.....	47-48
Section II—Attaching Snapper to John Deere Models "A," "B," or "G" Tractors; I.H.C. Farmall Models H, M, or MD Tractors; or Allis Chalmers Model WC Tractor.....	49-60
Section III—Attaching Snapper to John Deere Model "M" Tractor; Ford Tractor; or Ford-Ferguson Tractor.....	61-71
Section IV—Attaching Snapper to John Deere Model "MT" Tractor.....	72-75
Section V—Attaching Snapper to Allis-Chalmers Model WD Tractor.....	76-79
PARTS LIST AND ILLUSTRATIONS.....	80-140
NUMERICAL INDEX.....	141-147



Front View of John Deere No. 100 Corn Snapper with Tractor



16095

Rear View of John Deere No. 100 Corn Snapper with Tractor

Thank you so much for reading.
Please click the “Buy Now!”
button below to download the
complete manual.



After you pay.

You can download the most
perfect and complete manual in
the world immediately.

Our support email:

ebooklibonline@outlook.com