

# CULTIVATORS A250 AND G250 SERIES FOR AH AND GH HI-CROP TRACTORS



JOHN DEERE

## OPERATORS MANUAL CULTIVATORS A250 AND G250 SERIES FOR AH AND GH HI-CROP TRACTORS

OMN141051 J1 English

OMN141051 J1

LITHO IN THE U.S.A.  
ENGLISH



## YOUR NEW CULTIVATOR

Behind your new cultivator is an organization that has designed and built farm implements for over 100 years. This cultivator was built in a John Deere Factory by experienced men, thus assuring the utmost in design, high-grade workmanship, and thorough inspection, so essential to the production of good cultivators.

High quality materials, precision production methods, and accurately controlled heat-treating assure maximum strength and long life for every part.

This manual has been carefully prepared and illustrated so that you may make the necessary adjustments for adapting your cultivator to work properly in all types of field cultivation. These adjustments such as row spacing and proper leveling of shovels or sweeps are fully covered in this manual. Study the manual carefully and make it your guide.

Occasionally your cultivator may need new parts to replace worn parts, or emergency service may be required that is not covered in this manual. If so, we suggest that you take advantage of the facilities offered by your John Deere Dealer; which assures you of genuine John Deere parts or other prompt "know-how" service in the field or shop.

LOCATION REFERENCES: "Right" and "Left", "Front" and "Rear", refer to the operator's "Right" or "Left", and "Front" or "Rear", when facing the same direction machine is headed or traveling.

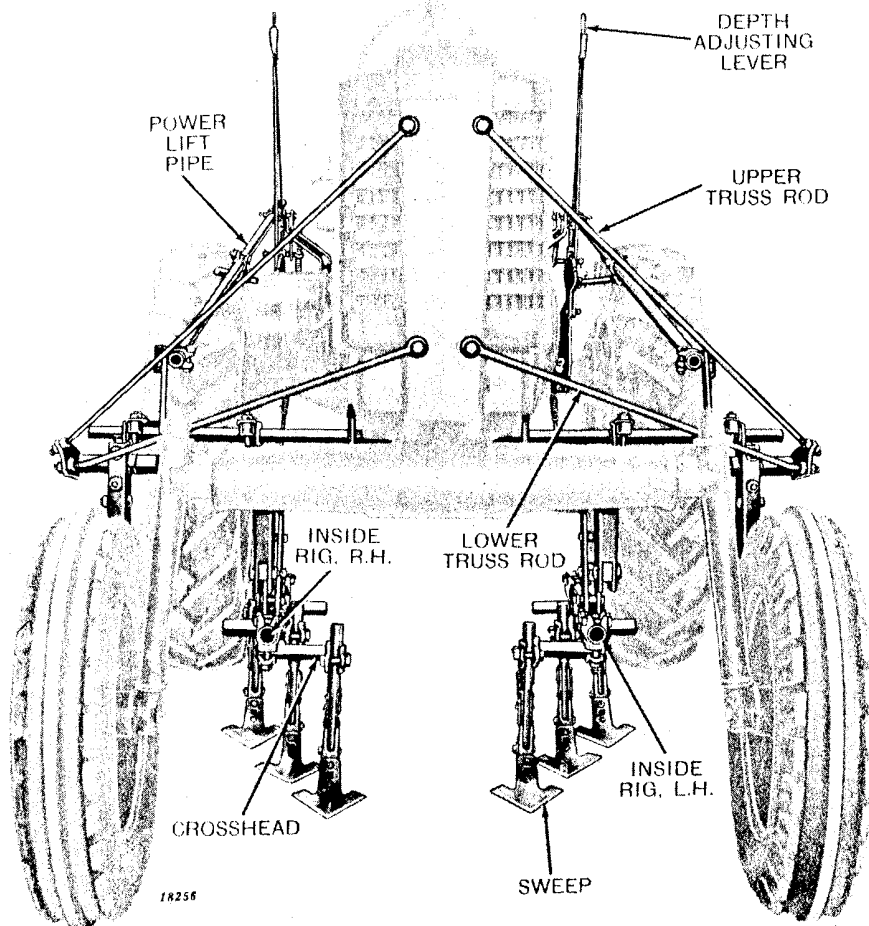
If you will furnish your dealer the part number, description, and the information which should be recorded at the bottom of this page, when the cultivator is delivered, he can give you prompt and efficient service.

**JOHN DEERE A250-G250 SERIES  
CULTIVATORS**

**No. of Cultivator . . . . . Date Purchased 19 . . . .**  
*(To be filled in by Purchaser)*

## TABLE OF CONTENTS

	<i>Page</i>
IDENTIFICATION OF CULTIVATOR PARTS.....	2-4
SPECIFICATIONS.....	5
OPERATING AND ADJUSTING:	
Shovels and Sweeps.....	5
Leveling Shovels or Sweeps.....	5
Depth Adjustment.....	6
Cultivating Point Rows.....	6
Leveling and Tilting the Front Rigs.....	6
Depth of Rear Rigs.....	6
Spring Trips.....	6
SPECIAL EQUIPMENT:	
Disk Hillers.....	7
Rotary Hoe Shields.....	7
Solid Shield.....	7
Offset Shanks.....	8
Spread Arch.....	8
Spread Bar.....	8
Penetration Springs—Front Rigs.....	8
MAINTENANCE SUGGESTIONS:	
Shovel and Sweeps.....	9
Sharpening Shovels and Sweeps.....	9
Lubrication.....	9
Rigs.....	9
SETTING UP:	
General Instructions.....	10
Shipping Bundles (Regular and Special).....	11
Main Frame—Front Rigs.....	12
Truss Rods—Lever Brackets.....	13
Lifting Arms—Rear Rigs—Lifting Pipes.....	14
Penetration Spring.....	15
PARTS LIST AND ILLUSTRATIONS.....	16-31
NUMERICAL INDEX OF PARTS.....	32-34



**Figure 1—Front View A252 or G252 Power Lift One-Row Cultivator**

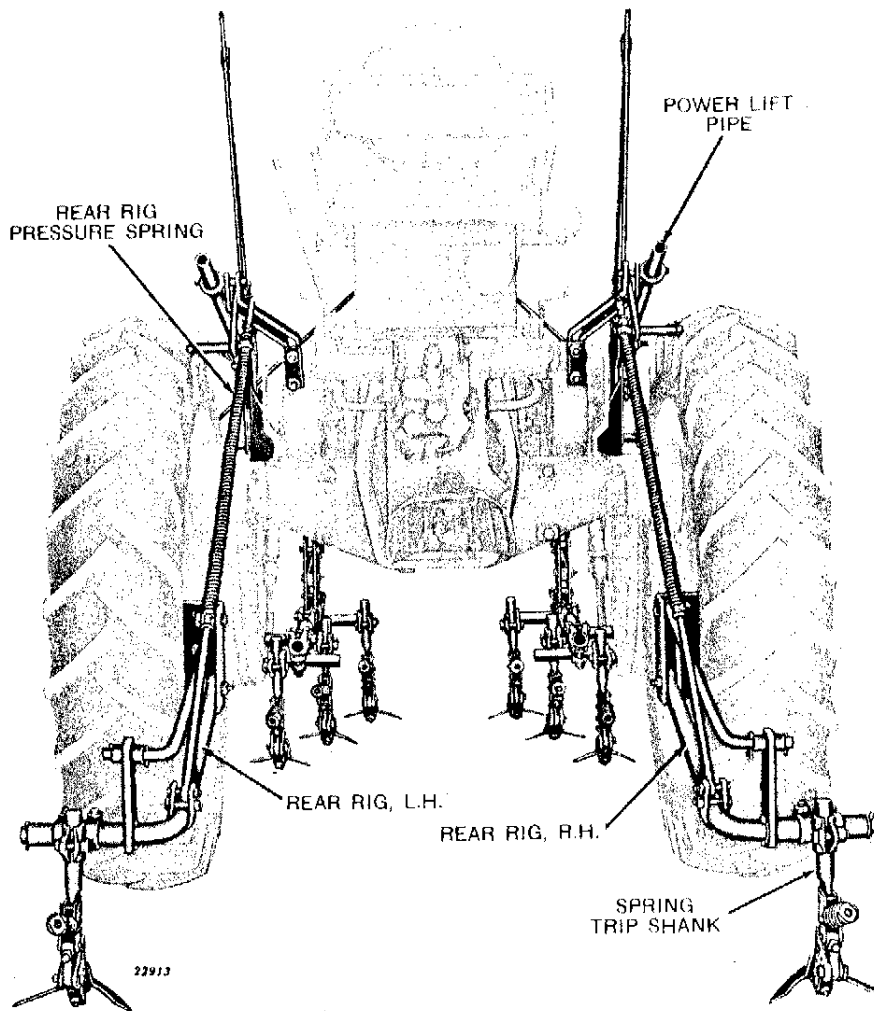
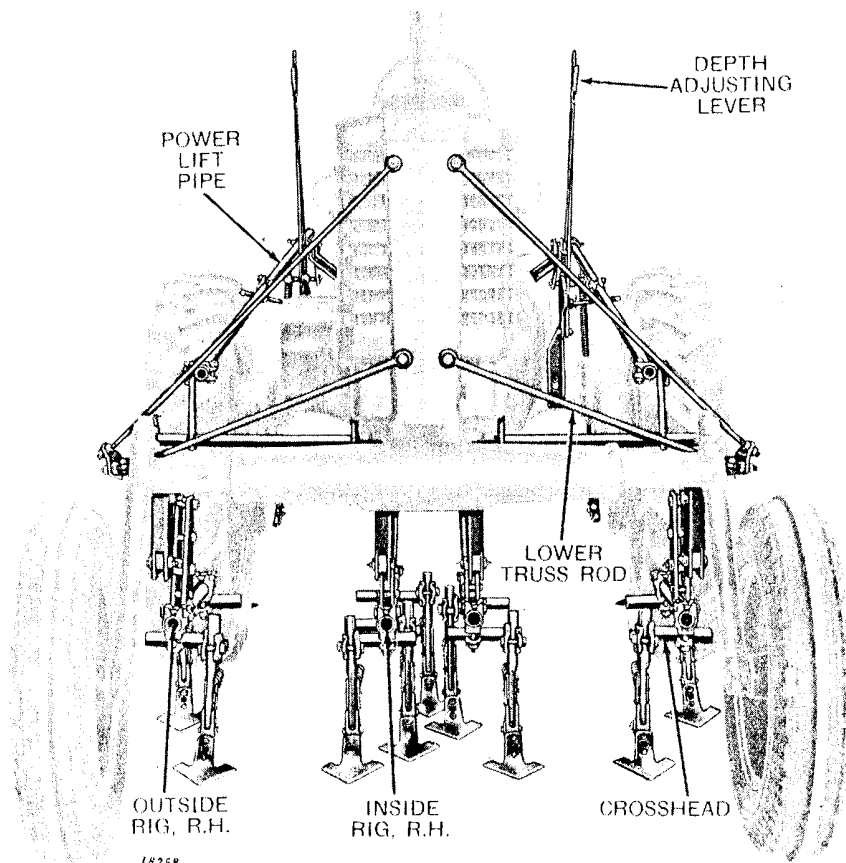


Figure 2—Rear View A252 or G252 Power Lift One-Row Cultivator



18258  
**Figure 3—Front View A252 or G252 Power Lift Two-Row Cultivator**

## SPECIFICATIONS

### Description.

This cultivator has four front rigs when used as a two row cultivator and two front rigs when used as a one row cultivator.

### Numbers and Types of Shanks

No.	Front	Rear	Total No. of Sweeps	One Row	Two Row
				Used as One Row	
AG252	6 Spring Trip 1-3/8" Shanks	2 Spring Trip 1-3/8" Shanks	8	60" - 84"	
Used as Two Row					
AG252	9 Spring Trip 1-3/8" Shanks	2 Spring Trip 1-3/8" Shanks	11		30" - 42"

## OPERATING AND ADJUSTING

### Shovels and Sweeps.

Remove varnish from shovels and sweeps to obtain a quick polish. Be sure shovels or sweeps are at a uniform height to insure even cultivation.

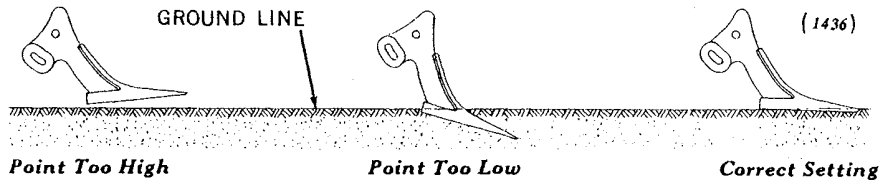


Figure 4—Setting Sweeps on Shanks

### Leveling Shovels or Sweeps.

There is only a limited amount of vertical adjustment in the offset shank—therefore, first adjust the offset shank to the desired position and then *level all shovels or sweeps to the shovel or sweep on the offset shank*. All shovels or sweeps must be set in the correct setting in relation to the ground. (See Figure 4.)

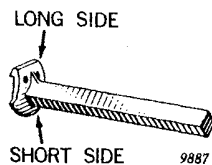


Figure 5

**CAUTION:** The clamp end of the crossarms are 3/4-inch longer on one side than on the other. (Note construction of crossheads.) The crosshead should ordinarily be installed in the clamp so that the longer side of clamp end is down, thus providing ample vertical adjustment to level shovels or sweeps. (See Figure 5.)

## OPERATING AND ADJUSTING—Continued

### **Power Lift Cultivators.**

The front and rear rigs are raised and lowered by the hydraulic system on the tractor.

### **Depth Adjustment.**

The position of the set screw collar at "A," Figure 14, determines the height of lift of the cultivator front rigs. Be careful when making this adjustment to prevent breakage of lift parts, by setting the collar too far back on pipe, and causing cultivator rigs to strike tractor when lifted. The two collars at "B," Figure 14, should be adjusted to allow maximum depth required and not allow adjusting rod to slip out in lifted position.

The levers should be set for the maximum depth desired. The Powr-Trol should be used to lift, drop and adjust to field conditions encountered.

### **Cultivating Point Rows.**

The two notches in the front end of the ratchet for the hand adjusting levers on power lift cultivators are provided so that either side of the cultivator can be raised for working point rows.

### **Leveling and Tilting the Front Rigs.**

Each front rig lifting rod has a collar and set screw adjustment "C," Figure 12. Adjust so all rigs operate at the same level. Tilt the rigs up or down with slotted adjustment at "D," Figure 12.

### **Depth of Rear Rigs.**

Both rear rig lifting rods have a collar and set screw adjustment "B," Figure 15. Adjust rear rigs to operate at the same level.

### **Spring Trips.**

Each spring trip should be tripped before starting cultivator to make sure they will function properly. The tension on the spring trips may be adjusted with the nut "E," Figure 12 at the rear end of the spring. Additional adjustment may be made with the set screw just below the spring. However, this is a factory adjustment and rarely requires changing. One-half to one turn of the set screw makes a big difference in the action of the trip. To make the trip hold tighter, loosen lock nut and turn the set screw out. ("F," Figure 12). Turn the set screw in to make the trip release more easily.



## SPECIAL EQUIPMENT

### SC205AN 12-Inch and SC206AN 14-Inch Disk Hillers.

Disk Hillers are available for the AG250 Series Cultivators. They are used next to the rows instead of shovel shanks or spring teeth. One pair (one right-hand and one left-hand) is required for each row (Figure 6).

When attached, the shank should be cranked forward or, in other words, the hub bearing should be ahead of the clamp which holds the shank at the upper end. This setting provides greater clearance and a larger range of adjustment.

Additional lateral adjustment can be obtained by using crossheads for attaching the disk shanks at the front end of cultivator rig pipes.

The disks may be set for hilling (throwing dirt toward the plant row), or for barring off (throwing dirt away from the row).

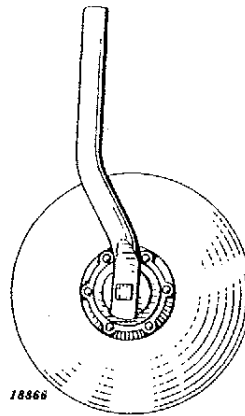


Figure 6—Disk Hiller

### SC40AN Rotary Shoe Shields.

The rotary hoe shield attachment consists of one rotary hoe for each side of the row for use in cloddy conditions where there is risk of injury to plant.

### SC600N Solid Shields

Shield arms may be attached either ahead of the frame bar (as shown at "A," Figure 7) or behind, depending on the fore-and-aft setting of the shield desired. The smooth side of the shield should be toward the shovels so dirt and trash will not catch on the shield straps.

Shields may be adjusted for side play at "C," Figure 7. If a swinging shield is wanted, loosen bolt until shield swings freely and tighten lock nut. If a rigid shield is desired, screw bolt up tight, then back off 1/2 turn and tighten lock nut.

Level shields by adjusting the threaded eyebolt at "D," Figure 7.

Adjust height of shields with chains.

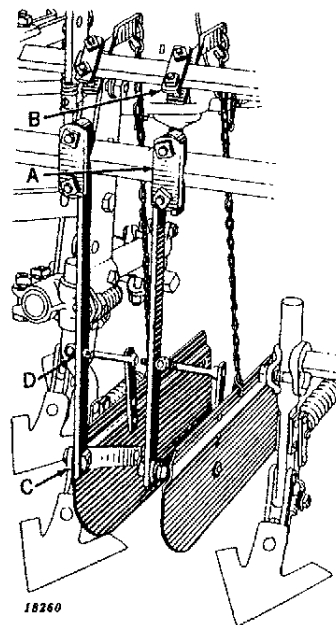
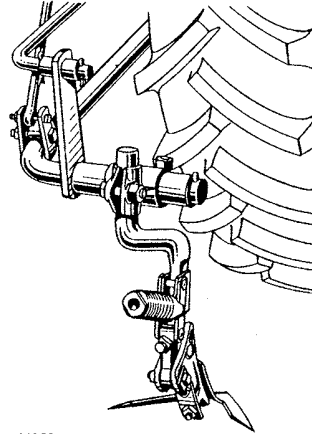


Figure 7

## SPECIAL EQUIPMENT

### Offset Shanks.

When the outside rear rigs are equipped with the SC137AN shank bundle (Two—6-inch offset shanks as shown in Figure 8), the outside shovels will center on 48-inch rows.

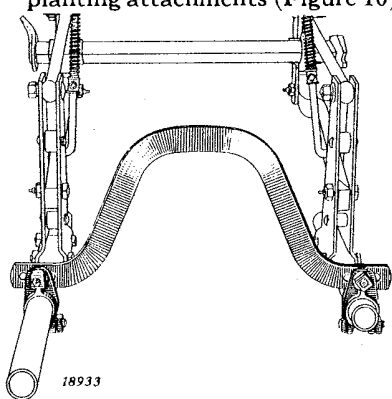


18259

Figure 8—SC137AN Offset Shank

### SC145AN Spread Arch.

This spread arch is adaptable to any two- or four-row tractor cultivator rig. This attachment is desirable for use in throwing up beds with SC205AN and SC206AN Disk Hillers. It prevents rigs from spreading apart (Figure 9).

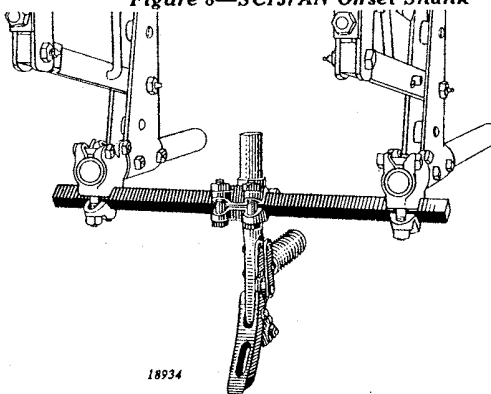


18933

Figure 9—SC145AN Spread Arch

### SC150AN Spread Bar.

This spread bar is used in connection with planting attachments (Figure 10).

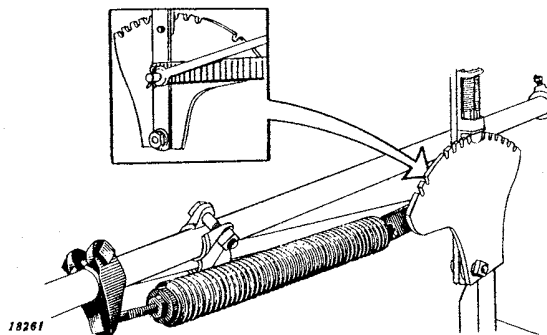


18934

Figure 10—SC150AN Spread Bar

### SC2220AN Penetration Springs-Front Rigs.

The front rig penetration springs can be used on all power lift cultivators. Install the straps between the levers and depth adjusting rods (See Figure 11). Place medium tension on the springs when cultivator is in the down or working position.



18261

Figure 11—Front Rig Penetration Spring

Thank you so much for reading.  
Please click the “Buy Now!”  
button below to download the  
complete manual.



After you pay.

You can download the most  
perfect and complete manual in  
the world immediately.

Our support email:

[ebooklibonline@outlook.com](mailto:ebooklibonline@outlook.com)