

277 TWO-ROW COTTON STRIPPER



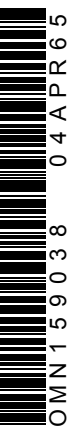
JOHN DEERE

OPERATORS MANUAL 277 TWO-ROW COTTON STRIPPER

OMN159038 (04APR65) English

OMN159038 (04APR65)

LITHO IN THE U.S.A.
ENGLISH



TO THE PURCHASER

Your new cotton stripper was built to rigid manufacturing standards. Material and workmanship are the best. How long it will last and continue its good work is a matter entirely in your hands.

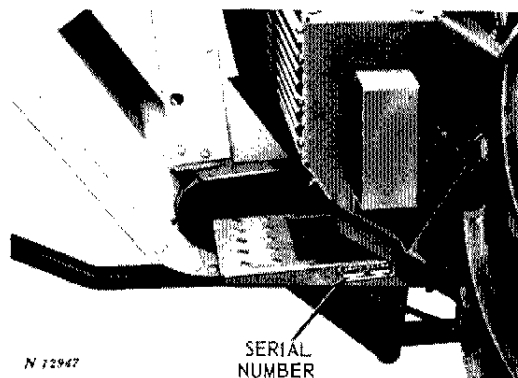
The way you operate your cotton stripper and the care you give it have much to do with the service and satisfaction you will get from it. This manual has been carefully prepared and illustrated to show you what to do and when to do it. It explains the adjustments that are built into the machine and gives instructions on when and how to make these adjustments. The information given in this manual will afford a clear understanding of the fundamentals of mechanical harvesting. The best use of these fundamentals to suit the conditions in which the machine is operating is a responsibility that is completely up to the operator.

If you find you need information not covered in this manual or if your cotton stripper requires special servicing, take advantage of the facilities offered by your John Deere dealer. He has trained mechanics, who are kept informed on the best methods of servicing and can give you prompt, "know-how" service in the field or in his shop.

Location References. "Right" and "Left," "Front" and "Rear" refer to the operator's "Right" or "Left" and "Front" or "Rear" when facing the same direction machine is headed or traveling.

"Clockwise" refers to a shaft, screw, or similar part turning to the operator's "Right," or like the hands of a clock. "Counter-clockwise" refers to the operator's "Left."

SERIAL NUMBER

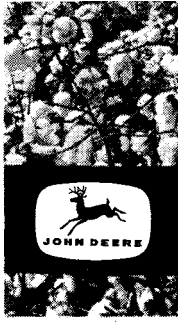


You will find the serial number of your cotton stripper stamped on a plate located at the rear of the cross conveyor on the right-hand step. Write this serial number in the place provided below for handy reference later.

Stripper Serial No. 277-

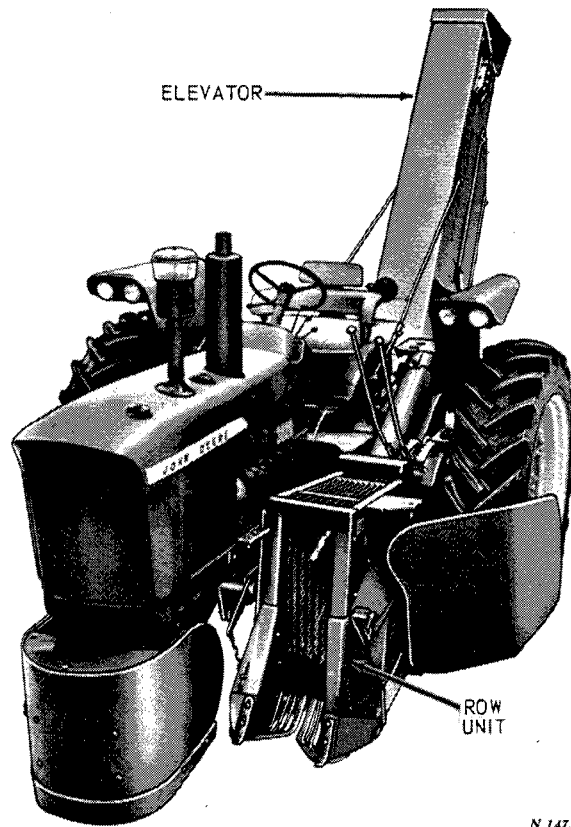
Date Purchased

Price



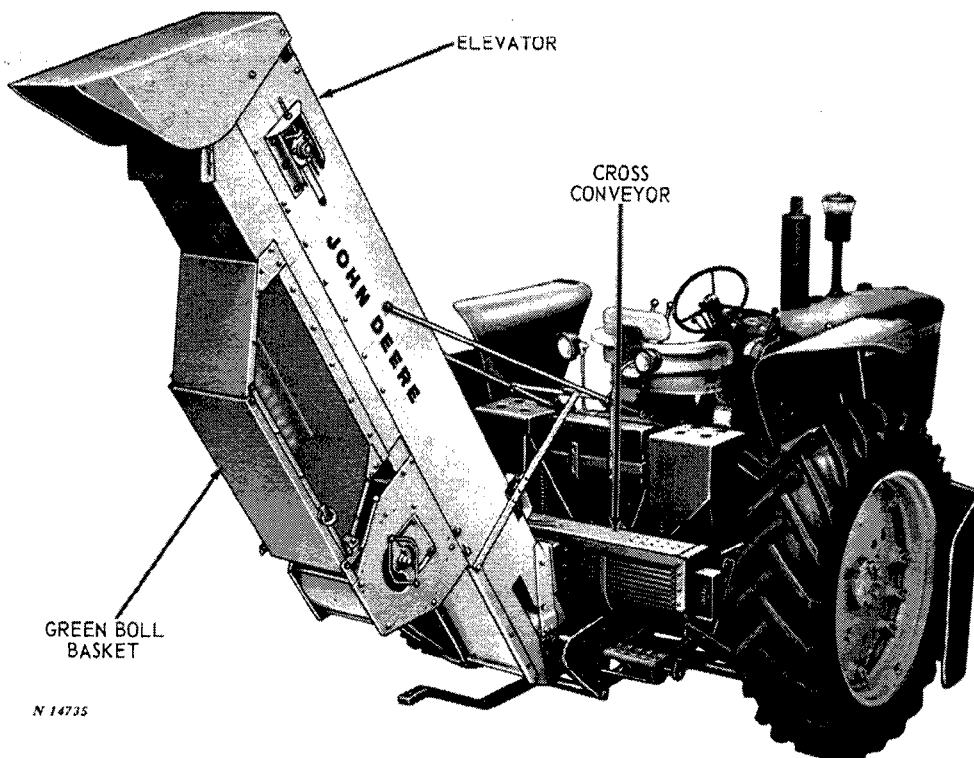
CONTENTS

	Page		Page
SPECIFICATIONS	3-4	Care of V-Belts	15-16
OPERATION	5-9	Side Conveyor	16
Know Your Cotton Stripper	5	Access Door	17
Controls	5	Cross Conveyor	17
Row Unit Control	5	Leveling Cross Conveyor	17
Gauge Chain Control Levers	5	Cross Conveyor Access Doors	17
Stripper Roll Control Levers	5	Cross Conveyor Drive Chain	17
Elevator Hood Control Lever	5	Care of Chains	17
The Fundamentals of Cotton Harvesting	6	Cotton Strippers with Elevator	18-19
Using the Stripper in the Field	7	Elevator Hanger Rods	18
Transporting the Stripper	7	Elevator Conveyor Belt	18
62 Basket Attachment	8-9	Fan	18
Air System and Basket	8	Elevator Deflector	19
Dumping the Basket	8-9	Green Boll Chute	19
Safety Suggestions	9	Green Boll Basket	19
ADJUSTMENTS AND SERVICE	10-21	Low Cotton Chain Shield	19
Row Spacing	10	Cotton Strippers with 62 Basket Attachment	20-21
Wheel Shields	10	Fan Drive Belt Adjustment	20
Gatherers	11	Air Intake Door	20
Gatherer Grates	11	Fan Speed	20-21
Stripper Rolls	11-13	Tool Box	21
Stripper Roll Drive Chain	12	Green Boll Hopper	21
Replacing Stripper Roll Drive Chain	12-13	LUBRICATION	22-23
Stripper Roll Combs	13	TROUBLE SHOOTING	24-26
Augers	14	REMOVING COTTON STRIPPER FROM TRACTOR	27-29
Gauge Chains and Balance Springs	14	MOUNTING COTTON STRIPPER ON TRACTOR	30-40
Slip Clutch	14-15		
Unit Drive Slip Clutch	15		
PTO Slip Clutch	15		
Main Drive Belts	15		



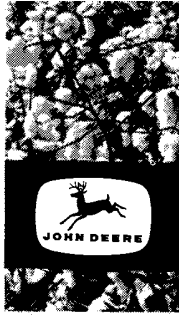
N 14734

Front View of John Deere 277 Cotton Stripper on 3020 Tractor



N 14735

Rear View of John Deere 277 Cotton Stripper on 3020 Tractor



SPECIFICATIONS

ALL 277 STRIPPERS

Type of Machine. . . .	2-Row, Tractor-Mounted - Can be equipped with either an elevator or the 62 Basket Attachment
Row Widths	38 and 40 Inches
Stripping Speeds. . . .	1.5 to 5.0 mph
Transport Speeds	9 to 12 mph
Type of Row Unit Lift	Hydraulic
Type of Gatherers . . .	Floating Type with Curved Shaped Grates
Gatherers Hinged or Rigid.	Hinged
No. Stripper Rolls per Unit.	Two
Stripper Rolls Diameter.	6 Inches
Stripper Rolls Length	40 Inches
Type of Stripper Rolls	Brush
Stripper Roll Adjustment.	By Operator from Tractor Seat
Unit Conveyor	Two 6-Inch Augers, Housing Slotted for Cleaning
Side Conveyor Pin Wheels	24 Wheels, 11-Inch Diameter
Cross Conveyor.	10-Inch Auger, Rod-Type Housing for Cleaning
Special Equipment . . .	Front Wheel Shields Low Cotton Chain Shield

277 COTTON STRIPPER EQUIPPED WITH ELEVATOR

*Tractor Mountings Available for	John Deere 2010, 3010, 3020, 4010, and 4020 Tractors Farmall 460, 560, 706, and 806 Tractors
Type of Elevator . . .	Over Shot - Center Delivery to Rear
Elevator Conveyor . .	10-Inch Belt with Alternating Cord Rubber and Steel-Finger Flights
Type of Green Boll Separator.	Air Separator and Baffle
Fan	14-Inch Diameter Centrifugal Fan Located Beneath Elevator
Shipping Weight (Including Mounting Parts).	Approx. 2850 pounds
Special Equipment . .	Green Boll Basket

*Only tire size approved for the 2010 Tractor is 13.9 x 36 6-ply rear tires. The tractor must also be equipped with full length heat treated rear axles.

Stripper will not mount on 2010 Tractor with power-adjusted rear wheels and short axles.

Also, use of stripper on any tractor with rear tires larger than 15.5 is not recommended.

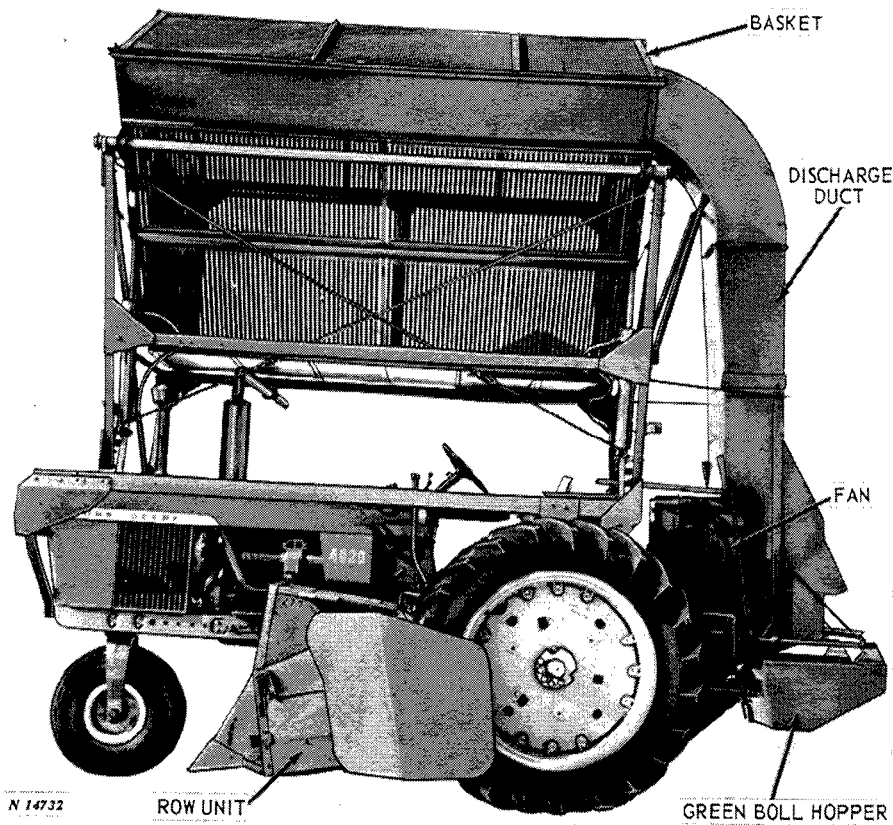
Tractors must be equipped with one remote cylinder.

4 Specifications

277 COTTON STRIPPER EQUIPPED WITH 62 BASKET ATTACHMENT

Tractor Mountings Available for	John Deere 3010, 3020, 4010, and 4020 Trac- tors - Tractors must be equipped to operate two remote cylinders	Basket Capacity	2000 lbs. Seed Cotton (Approx. 405 cu. ft.)
Fan	16-Inch Diameter Cen- trifugal Fan 2500 rpm to 3200 rpm (At rated tractor PTO speed)	Dimensions Height	15 Feet
		Width	11 Feet, 8 Inches
		Length	15 Feet, 3 Inches
		Special Equipment . .	Green Boll Hopper (Ca- pacity is 10 Cu. Ft.) Bracket for Warning Lamp

(Specifications and design subject to change without notice.)

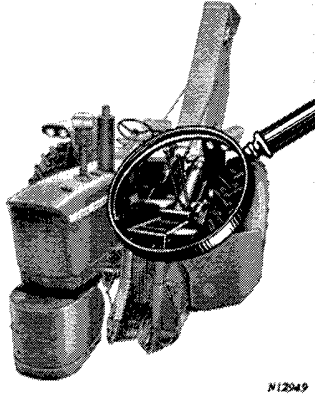


John Deere 277 Cotton Stripper Equipped with 62 Basket Attachment



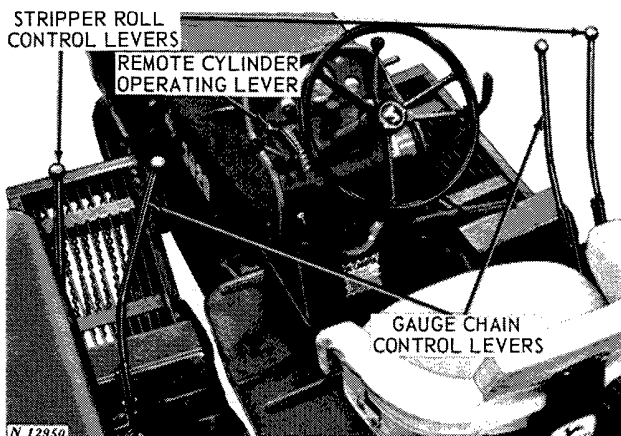
OPERATION

KNOW YOUR COTTON STRIPPER



Before starting to strip cotton, read this manual. The information in it is the result of years of experience in the design and operation of mechanical cotton strippers. We want you to be happy with your new John Deere 277 Cotton Stripper. We know it will do good work for a long time if operated and adjusted properly. This manual tells you how to get from the stripper the performance and long life that have been designed and built into it.

CONTROLS



ROW UNIT CONTROL

The row units are raised and lowered by the tractor hydraulic system with the use of the remote cylinder. Use the inner remote cylinder operating lever on the tractor to raise and lower the row units.

GAUGE CHAIN CONTROL LEVERS

The operating height of the row units is controlled by the inside lever on each row unit. Move the lever forward to lower the unit and to the rear to raise the unit.

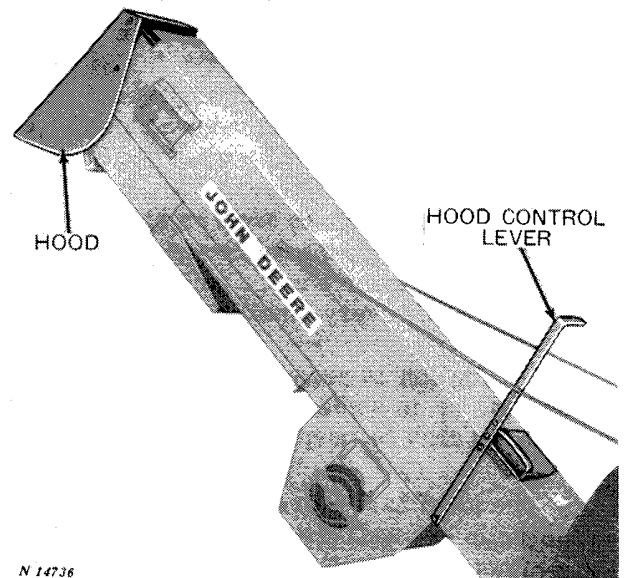
The gauge chains should be adjusted to the predetermined operating height as instructed on page 13. The levers can then be used to adjust the operating height of the units.

STRIPPER ROLL CONTROL LEVERS

The spacing between the stripper rolls is controlled by the outside lever on each side.

To increase the opening between the stripper rolls move the stripper roll lever to the rear. This can be done from the tractor seat while "on the go."

ELEVATOR HOOD CONTROL LEVER



The elevator hood control lever, located on top of the elevator, is within easy reach from the tractor seat. The hood can be set for the delivery of the cotton through the entire length of the cotton trailer. By moving the lever forward, the hood is raised to direct the cotton to the rear of the trailer.

Thank you so much for reading.
Please click the “Buy Now!”
button below to download the
complete manual.



After you pay.

You can download the most
perfect and complete manual in
the world immediately.

Our support email:

ebooklibonline@outlook.com