

334, 434 and 634 Corn Attachments (Effective Serial No.334-901, 434N-462, 434W-1528 and 634N-126



JOHN DEERE

OPERATORS MANUAL

334, 434 and 634 Corn Attachments (Effective Serial No.334-901, 434N-462, 434W-1528 and 634N-126

OMN159084 A6 English

OMN159084 A6

LITHO IN U.S.A.
ENGLISH



TO THE PURCHASER

This manual contains useful information on how to operate your new John Deere Corn Attachment.

This corn attachment is built to handle a wide range of conditions with regular equipment. Field conditions vary from year to year, from day to day, and even from hour to hour. Different varieties of corn present widely different picking problems. A careful study of adjustments on your corn attachment and what they accomplish under varying conditions will allow you to reap many benefits and economies that a corn attachment can provide.

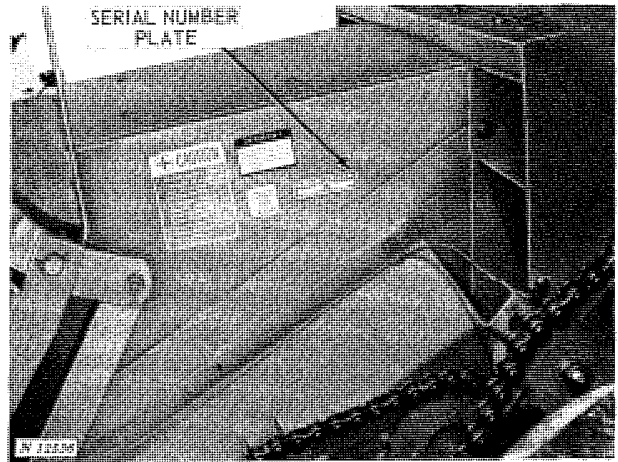
Your new corn attachment will do quality work in direct proportion to the care you use in operating it. Operate, adjust and service the attachment according to the instructions in this manual.

If you need information not covered in this manual, see your John Deere dealer. He has the latest information on how to get the best service from your corn attachment and can give you prompt service in the field or in his shop.

When in need of parts, go to your John Deere dealer. He carries genuine John Deere parts for your Corn Attachment. Be prepared to give him the serial number of your corn attachment and the year purchased. This information should be recorded in the space below as soon as you have received your corn attachment.

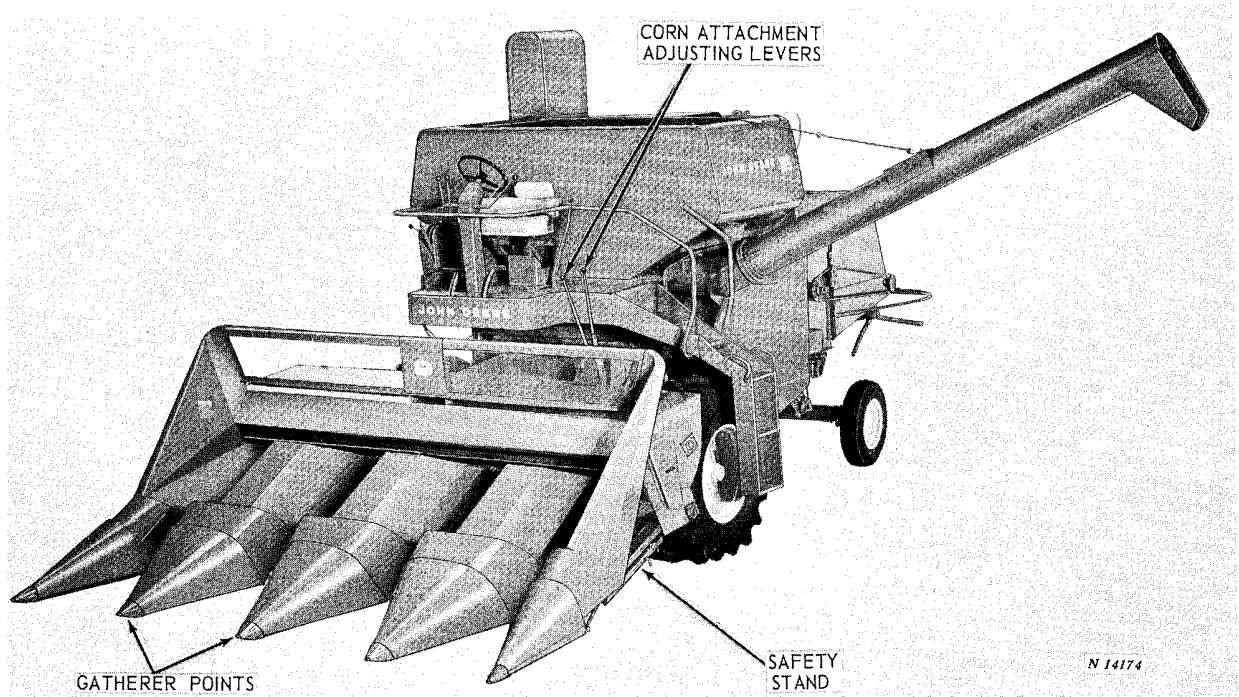
Serial Number
Date Purchased

You will find the serial number plate on the left-hand auger housing as shown.

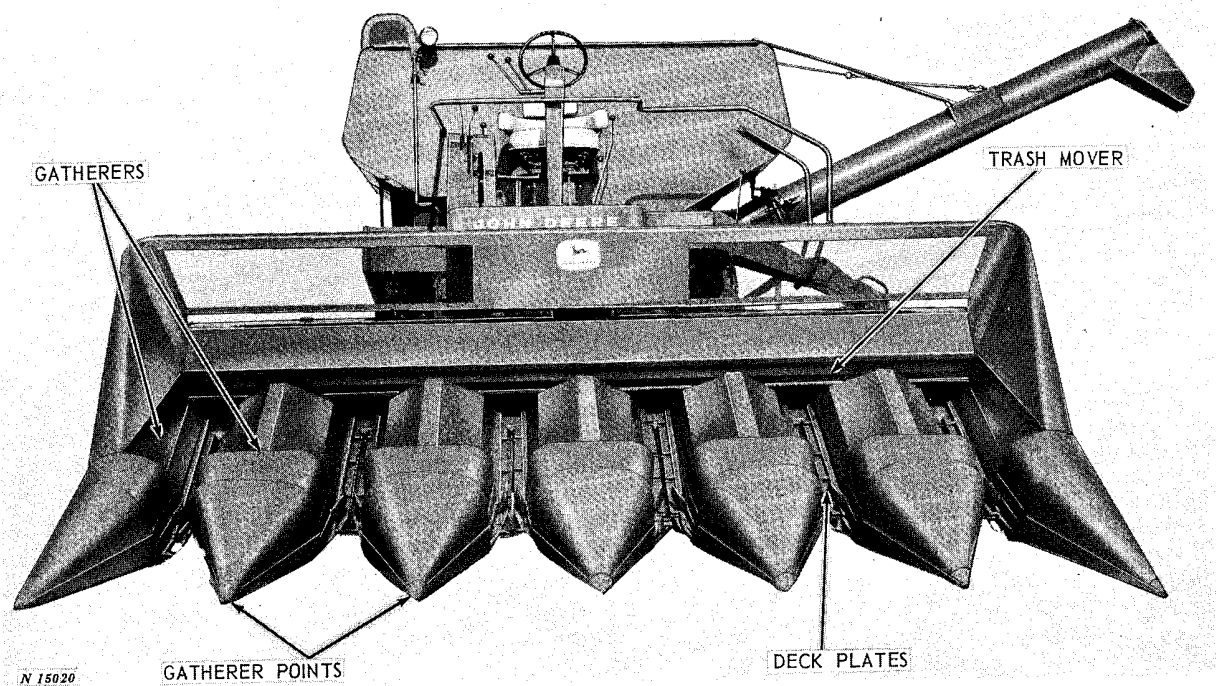


CONTENTS

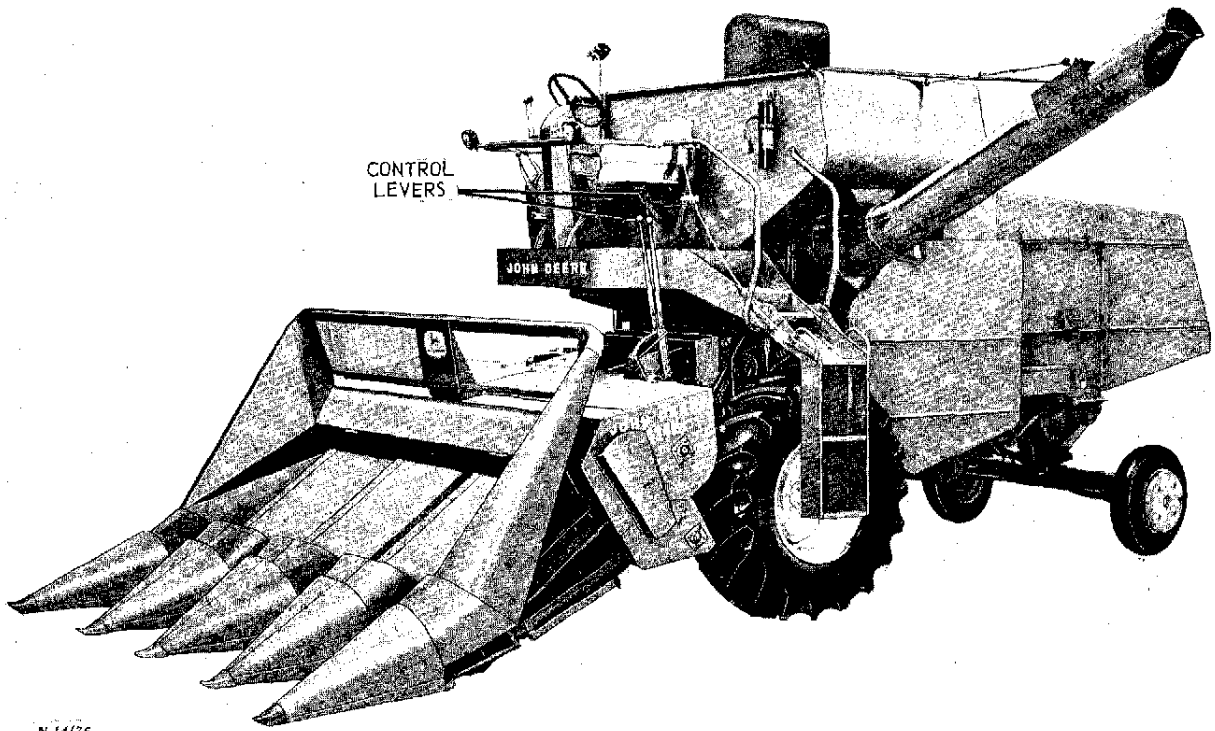
	Page
Specifications	3
Operation	4-21
Attachments	22-23
Lubrication	24-26
Trouble Shooting	27-32
Service	33-37
Removing Corn Attachment	38-40
Installing Corn Attachment	41-48
Assembly	49-54
Index	55-56



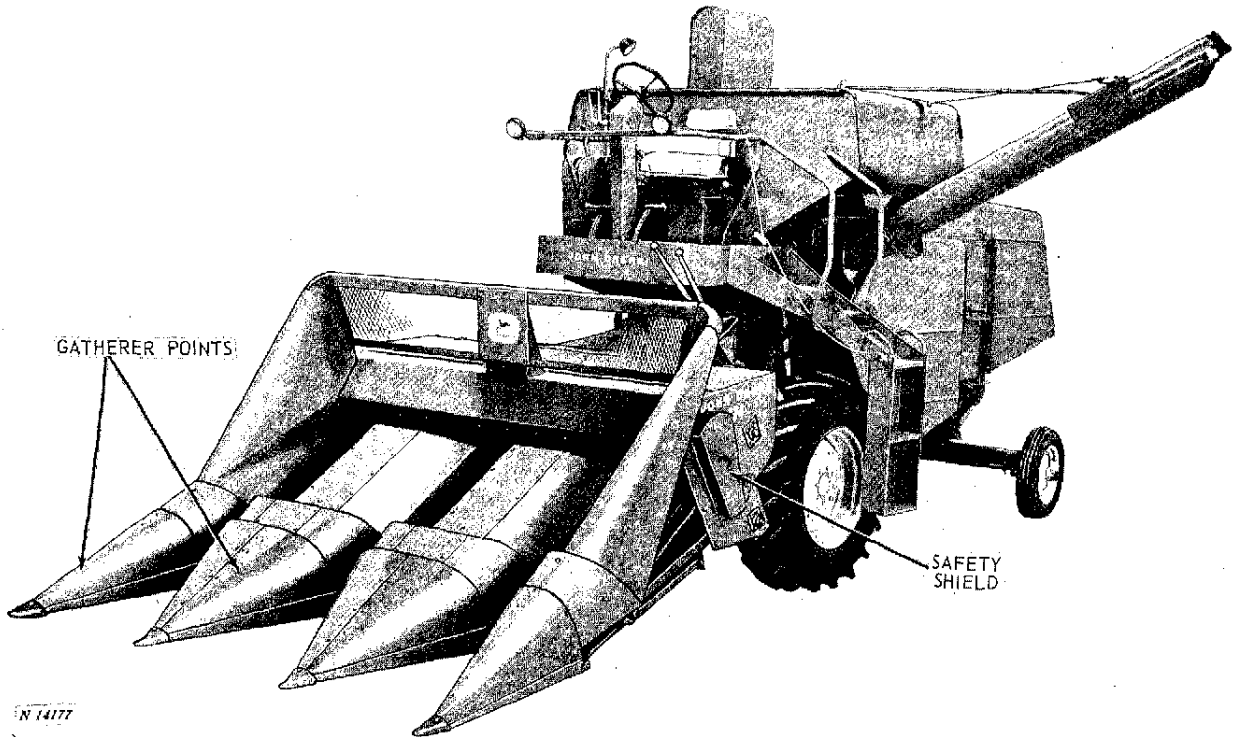
John Deere 434W Corn Attachment on 105 Combine



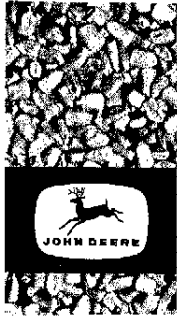
John Deere 634N Corn Attachment on 105 Combine



John Deere 434N Corn Attachment on 95 Combine



John Deere 334 Corn Attachment on 55 Combine



SPECIFICATIONS

John Deere Combine required-

334	55, 95, or 105*
434W and 434N	95 or 105
634N	105**

Number of Rows-

334	3
434W and 434N	4
634N	6

Row Widths Handled-

334	30, 36, 38, and 40 inches
434N	28 and 30 inches
434W	36, 38, 39, and 40 inches
634N	28 and 30 inches

Gatherer points. Hinged above gatherer chains

Number of gatherer chains per snapping unit 2

Type of gatherer chains . Endless steel roller chain (no master connecting link)

Speed of gatherer chains — 326 fpm (regular) (feet per minute) 279 fpm and 373 fpm (special).

Minimum clearance between gatherer chains and ground 0 inches and up

Distance gatherer chains ahead or fluted stalk roll points 10 inches

Length of fluted stalk rolls less points 30 inches

**The 334 Corn Attachment should not be mounted on the 105 Combine when the 334 is set for 30-inch rows, because the drive wheel will run over unpicked corn.*

***The 105 Combine must be equipped with 23.1 x 26 front tires.*

Length of fluted stalk rolls including points 38-1/2 inches

Fluted stalk roll adjustment . . . By operator from combine platform on 334 and 434 only

Deck plate adjustment By operator from combine platform

Conveyor from gatherers to combine Augers

Approximate over-all width for storage-

334	9 feet 8 inches
434N	11 feet 5 inches
434W	13 feet
634N	15 feet 10 inches

Approximate over-all length for storage 12 feet

Weight of corn attachments only-

334 for 55 Combine	3150 pounds
334 for 95 Combine	3208 pounds
334 for 105 Combine	3251 pounds
434N for 95 Combine	3861 pounds
434N for 105 Combine	3904 pounds
434W for 95 Combine	3946 pounds
434W for 105 Combine	3989 pounds
634N for 105 Combine	5010 pounds

ATTACHMENTS

Row Spacing Parts (see page 21).

Down Corn (see page 23).
 Trash Mover (see page 23).
 Corn-Cob Mix (see page 22).

For other attachments available for the Combine, see your John Deere dealer.

(Specifications and design subject to change without notice.)

Thank you so much for reading.
Please click the “Buy Now!”
button below to download the
complete manual.



After you pay.

You can download the most
perfect and complete manual in
the world immediately.

Our support email:

ebooklibonline@outlook.com