

335, 435 and 635 Corn Attachments



JOHN DEERE

OPERATORS MANUAL

335, 435 and 635
Corn Attachments

OMN159163 B8 English

John Deere Des Moines Works
OMN159163 B8

LITHO IN U.S.A.
ENGLISH





TO THE PURCHASER

This manual contains useful information about operating your new John Deere Corn Attachment.

This corn attachment is built to handle a wide range of conditions. Field conditions vary from year to year, from day to day, and even from hour to hour. Different varieties of corn present different picking problems. A careful study of adjustments on your corn attachment and what they accomplish under varying conditions will allow you to reap many benefits and economies that a corn attachment can provide.

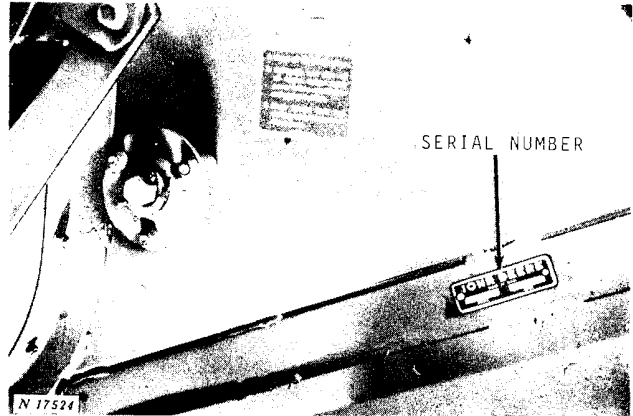
Your new corn attachment will do quality work in direct proportion to the care you use in operating it. Operate, adjust and service the attachment according to instructions in this manual.

If you need information not covered in this manual, see your John Deere dealer. He has the latest information on how to get the best service from your corn attachment and will give you prompt service in the field or in his shop.

When in need of parts, go to your John Deere dealer. He carries genuine John Deere parts for your corn attachment. Be prepared to give him the serial number of the corn attachment and the year purchased. This information should be recorded in the space below as soon as you have received your corn attachment.

Serial Number
Date Purchased

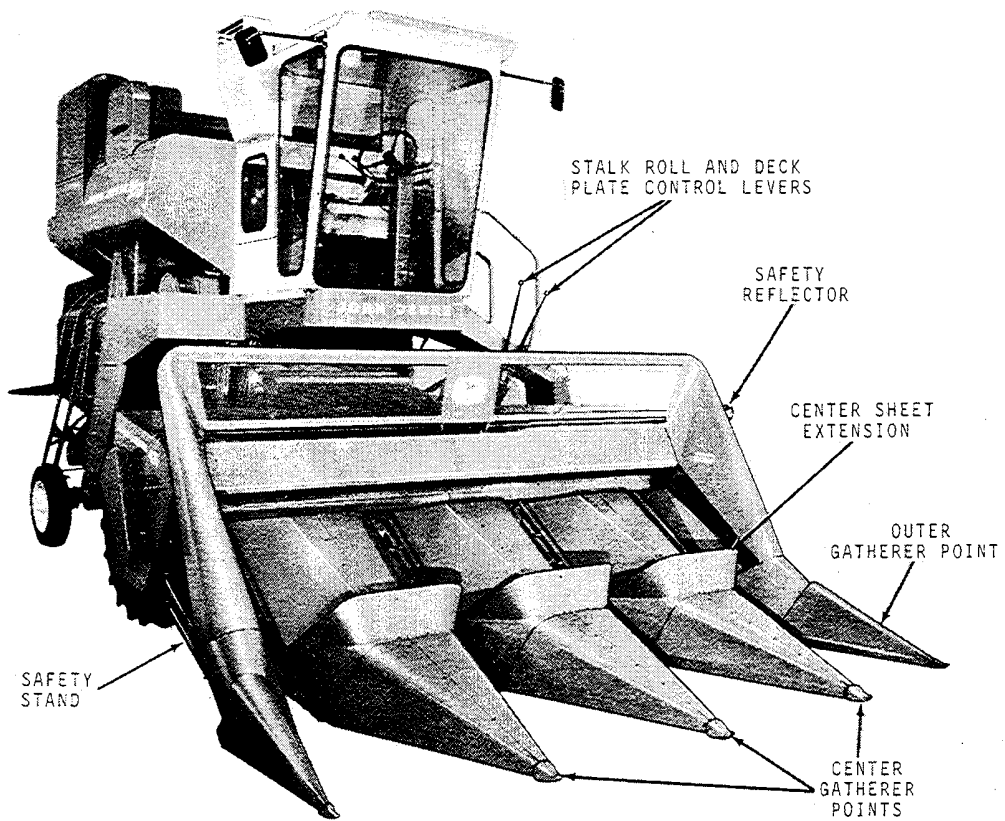
You will find the serial number plate on the left-hand auger housing as shown.



The warranty on this corn attachment appears on your copy of the purchase order which you should have received from your dealer when you purchased the corn attachment.

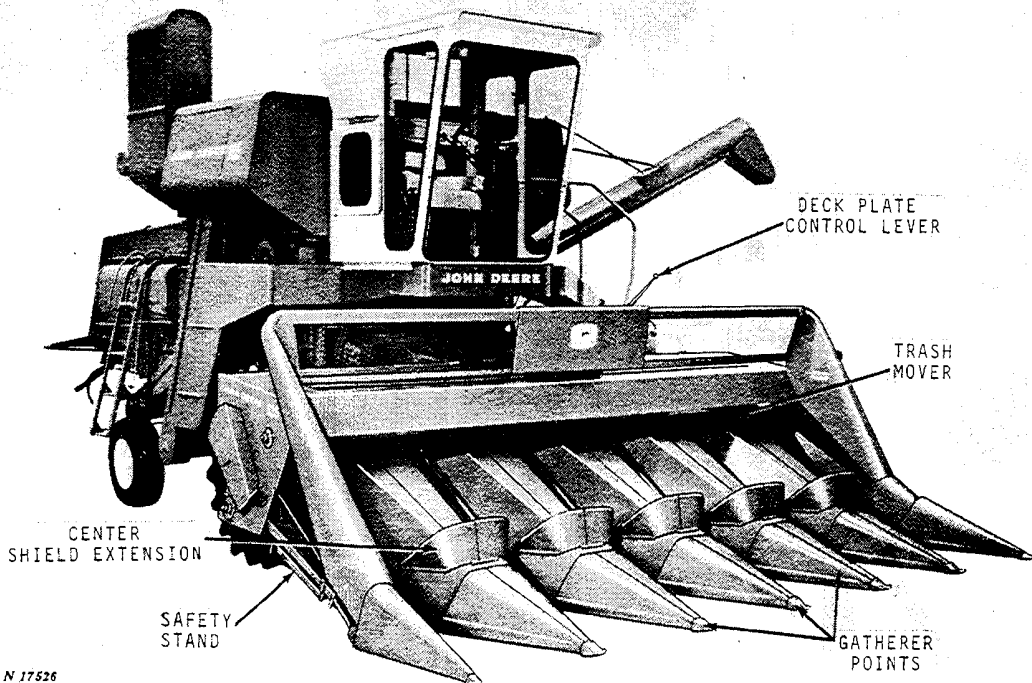
CONTENTS

	Page
Specifications	3
Operation	4-22
Attachments	23
Lubrication	24-26
Trouble Shooting	27-32
Service	33-37
Removing Corn Attachment	38-40
Installing Corn Attachment	41-47
Assembly	48-58
Index	59-60



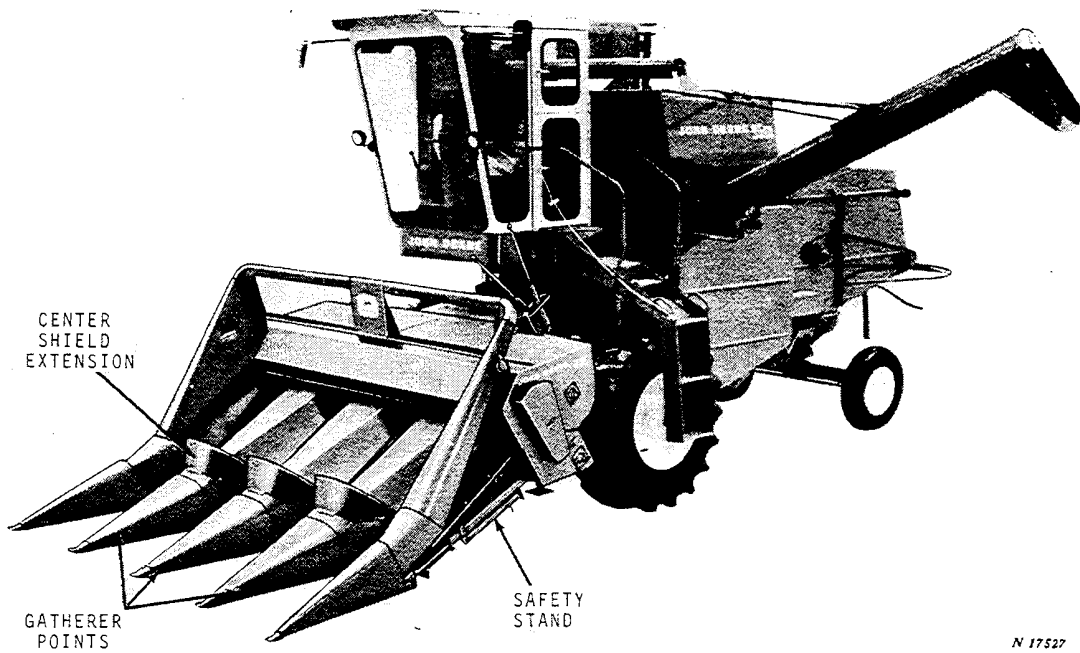
N 17525

John Deere 435W Corn Attachment on 95 Combine



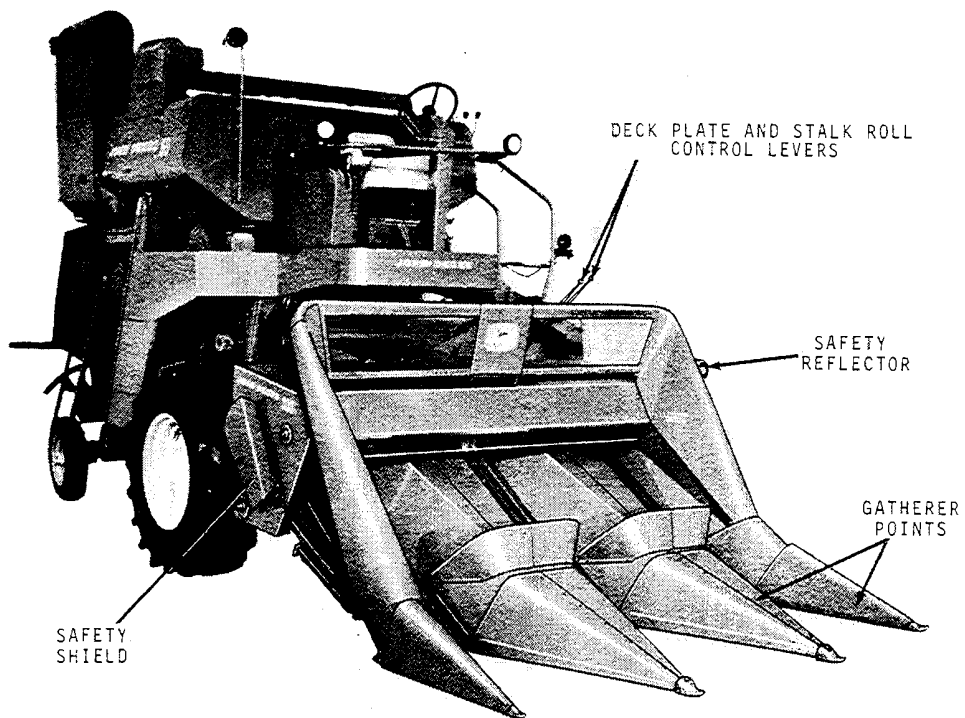
N 17526

John Deere 635N Corn Attachment on 105 Combine



N 17527

John Deere 435N Corn Attachment on 95 Combine



N 17528

John Deere 335 Corn Attachment on 55 Combine



SPECIFICATIONS

John Deere Combine required-

335	55, 95, or 105*
435W and 435N	95 or 105
635N	105**

Number of Rows-

335	3
435W and 435N	4
635N	6

Row Widths Handled-

335	30, 36, 38, and 40 inches
435N	28 and 30 inches
435W	36, 38, 39, and 40 inches
635N	28 and 30 inches

Gatherer points—Floating type, hinged above gatherer chains

Number of gatherer chains per snapping unit. 2

Type of gatherer chains—Endless steel roller chain (no master connecting link)

Speed of gatherer chains—Shipped set for 279 fpm (feet per minute). Additional sprocket provided for 326 fpm.

NOTE: A sprocket can be obtained from your dealer for 373 fpm (feet per minute).

Minimum clearance between gatherer chains and ground. 0 inches and up

Distance gatherer chains ahead or fluted stalk roll points. 10 inches

Length of fluted stalk rolls less points. 30 inches

**The 335 Corn Attachment should not be mounted on a 105 Combine when the 335 is set for 30-inch rows, because the drive wheels will run over unpicked corn.*

***The 105 Combine must be equipped with 23.1 x 26 front tires.*

(Specifications and design subject to change without notice.)

Length of fluted stalk rolls including points. 38-1/2 inches

Fluted stalk roll adjustment. By operator from combine platform on 335 and 435 only

Deck plate adjustment. By operator from combine platform

Gatherer chain adjustment. Spring loaded-self adjusting

Conveyor from gatherers to combine. Full width cross auger and trash movers, and full length feed bed augers.

Approximate over-all width for storage-

335	9 feet 8 inches
435N	11 feet 5 inches
435W	13 feet
635N	15 feet 10 inches

Approximate over-all length for storage. 12 feet 4 inches

Approximate weight of corn attachments only-

335 for 55 Combine	3160 pounds
335 for 95 Combine	3218 pounds
335 for 105 Combine	3261 pounds
435N for 95 Combine	3871 pounds
435N for 105 Combine	3914 pounds
435W for 95 Combine	3956 pounds
435W for 105 Combine	4000 pounds
635N for 105 Combine	5020 pounds

ATTACHMENTS

Row Spacing Parts (see page 23).

Corn-Cob Mix (see page 23).

For other attachments available for the Combine, see your John Deere dealer.

Thank you so much for reading.
Please click the “Buy Now!”
button below to download the
complete manual.



After you pay.

You can download the most
perfect and complete manual in
the world immediately.

Our support email:

ebooklibonline@outlook.com