

JOHN DEERE FM 468 BEAN CUTTER



JOHN DEERE

OPERATORS MANUAL JOHN DEERE FM 468 BEAN CUTTER

OMN159340 C6 English

OMN159340 C6

LITHO IN THE U.S.A.
ENGLISH





To the Purchaser


This new bean cutter was carefully designed and manufactured to give years of dependable service. To keep it running efficiently, read the instructions in this operator's manual. Each section is clearly identified so you can easily find the information you need — whether it is operation, lubrication, or adjustments. Read the Table of Contents to learn where each section is located.

In addition to the equipment furnished with your bean cutter, attachments are available to help you do a better job in special crop conditions. These are described in the attachments section of this manual and can be purchased from your John Deere dealer.

“Right-hand” and “left-hand” sides are determined by facing in the direction the bean cutter will travel when in field use.

Record your bean cutter serial number in the space provided on page 34. Your dealer needs this information to give you prompt, efficient service when you order parts or attachments. If your bean cutter requires replacement parts, go to your John Deere dealer where you can obtain genuine John Deere parts — accept no substitutes.

The warranty on this bean cutter appears on your copy of the purchase order which you should have received from your dealer when you purchased the bean cutter.

 This safety alert symbol identifies important safety messages in this manual. When you see this symbol, be alert to the possibility of personal injury and carefully read the message that follows.

Your operator's manual contains SI Metric equivalents which follow immediately after the U.S. customary units of measure.

JOHN DEERE FM 468

BEAN CUTTER

PREDELIVERY CHECK LIST

- Tractor is correctly prepared. (See page 4.)
- Frame is level and rigs are set at correct height. (See page 11.)
- Row spacing of rigs is correct for row width to be cut. (See page 17.)
- Blades are set correctly. (See page 12.)
- Rigs have been lubricated and work freely. (See page 22.)
- Attachments ordered with bean cutter are properly installed. (See page 24.)
- Rig gauge wheels assembled and set in correct position. (See pages 29 and 11.)
- Windrow rods positioned in correct location. (See pages 14 and 15.)
- Vine turner lift height properly adjusted. (See page 16.)
- Vine turner rollers lubricated. (See page 22.)
- All attaching hardware tight, cotter pins spread.

Signed _____

Date _____

DELIVERY CHECK LIST

At the time of delivery, important information should be conveyed directly to the customer. Check off each item as it is fully explained to the customer.

- Advise the customer to lubricate the machine as directed in the operator's manual.
- Give the operator's manual to the customer and explain all operating adjustments.
- Review with the customer the safety instructions in the operator's manual which must be observed when using this machine.

Insert for OM-N159340 Issue C6 Litho in U.S.A.

OWNER REGISTER

Bean Cutter Model _____
Serial No. _____
Name _____
R.R. No. _____
Post Office _____
State _____ Zip _____

- Tell customer to check local governmental regulations for accessory lights and warning devices required when transporting bean cutter on highways.

Signed _____

Date _____

AFTER-SALE CHECK LIST

The following is a suggested list of items to be checked at a dealer-customer mutually agreeable time during the first operating season.

- Check with the customer as to the performance of the bean cutter. Make certain the proper operating adjustments for crop or soil conditions are understood.
- If possible, run the bean cutter to see that it is functioning properly.
- Acquaint the customer with any special attachment which will help do a better job.
- Go over entire bean cutter for loose or missing bolts.
- Check for broken or damaged parts.
- Check with the customer to see if the recommended periodic lubrication has been performed.

- Review the operator's manual with the customer and stress the importance of proper lubrication and safety precautions.

Signed _____

Date _____



Contents

SAFETY SUGGESTIONS	2
IDENTIFICATION VIEWS	3
OPERATION	4
Preparing the Tractor	4
Attaching the Bean Cutter to the Tractor.....	5
Detaching the Bean Cutter from the Tractor	9
Operating Adjustments	11
Rig Movement.....	11
Depth Control	11
Gauge Wheel Adjustments	11
Blade Adjustment.....	12
Adjusting Windrow Rods	14
Windrowing	15
Adjusting Pipe Dividers	16
Adjusting Vine Turner Attachments	16
Row Spacing	17
Transporting	20
Storage	21
LUBRICATION	22
SERVICE.....	23
ATTACHMENTS.....	24
ASSEMBLY	26
SPECIFICATIONS	34



Safety Suggestions

! The safety of the operator was one of the prime considerations in the minds of John Deere engineers when the FM 468 Bean Cutter was designed. Simple adjustments and safety features were built into this bean cutter wherever possible.

Only one person — the operator — should be allowed on the tractor when the bean cutter is in operation.

Never ride, or permit others to ride on the drawbar of the tractor or on the bean cutter frames.

Never allow anyone other than yourself on the tractor when operating or transporting the bean cutter.

Never allow anyone around the bean cutter when you are performing operating functions.

Reduce speed when transporting over uneven or rough terrain.

Shift the tractor into a lower gear when transporting down hills or steep slopes.

A protective four-post Roll-Gard is incorporated in each Sound-Gard Body. Your tractor may be equipped with a separate four-post Roll-Gard. Otherwise, a protective two-post Roll-Gard with seat belt is available for your tractor.

Under almost all operating conditions:

1. The use of a seat belt with the optional John Deere Roll-Gard is recommended.
2. Use of a seat belt without roll-over protective equipment is not recommended.

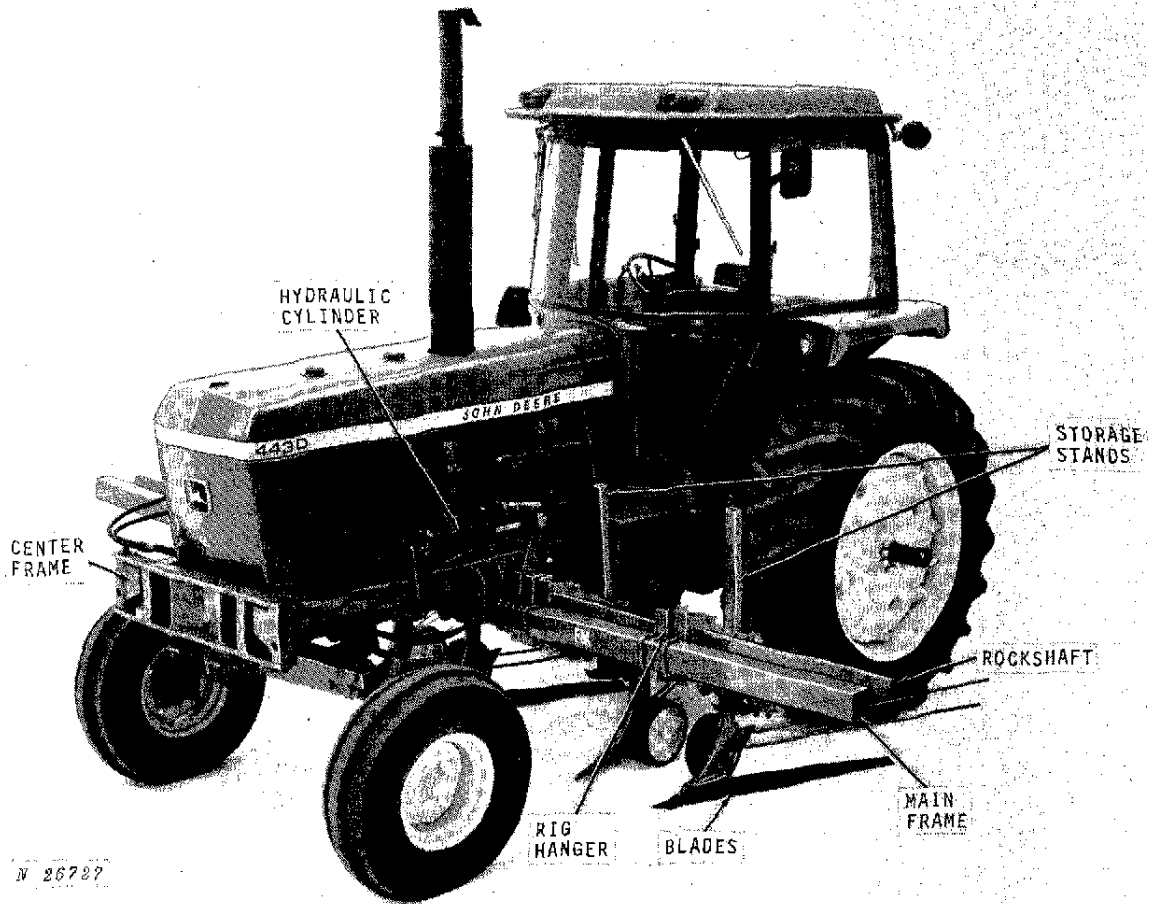
Always keep tractor in gear when driving down steep grades with bean cutter.

Refer to safety instructions outlined under "Transporting" before road transport of bean cutter. (See page 20.)

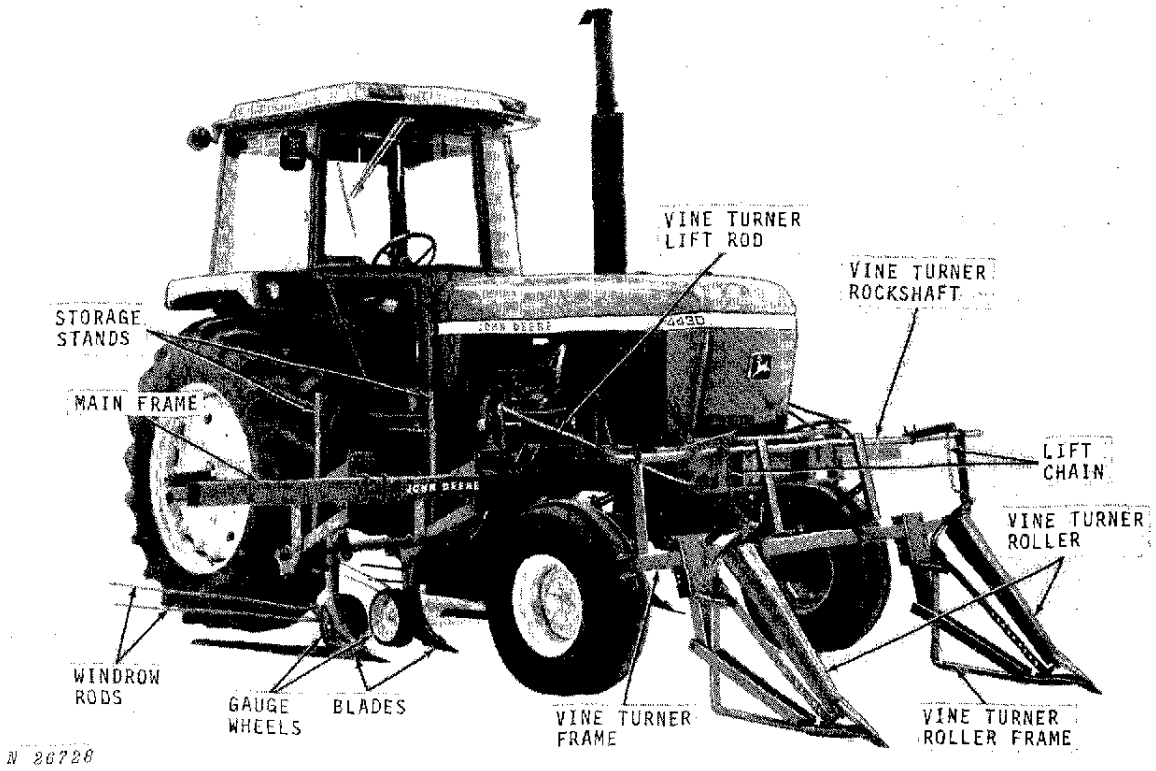
Always support bean cutter frame and rigs on stands or blocks before working under or around bean cutter.

Do not store bean cutter with rigs raised unless lock pins are installed. (Refer to storage instructions on page 21.)





John Deere FM 468 6-Row Bean Cutter

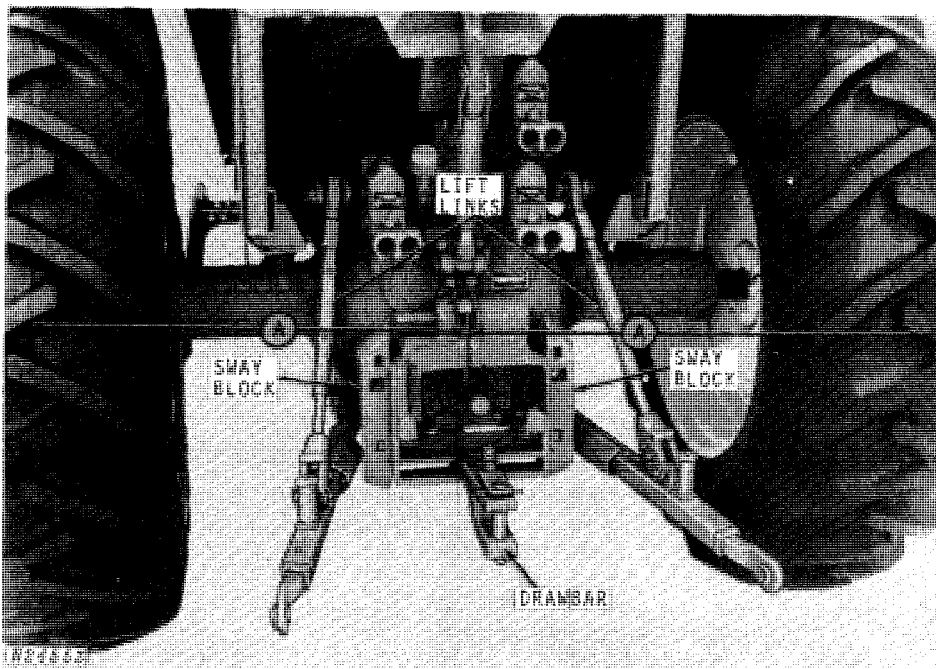


John Deere FM 468 6-Row Bean Cutter with Vine Turner Attachment



Operation

PREPARING THE TRACTOR



Wheel Spacing

Set the tractor wheels for the desired row spacing with the wheels centered between the rows. The distance from the centerline of the tractor to the centerline of each tire (dimension "A" above) should be the same.

Tire Inflation

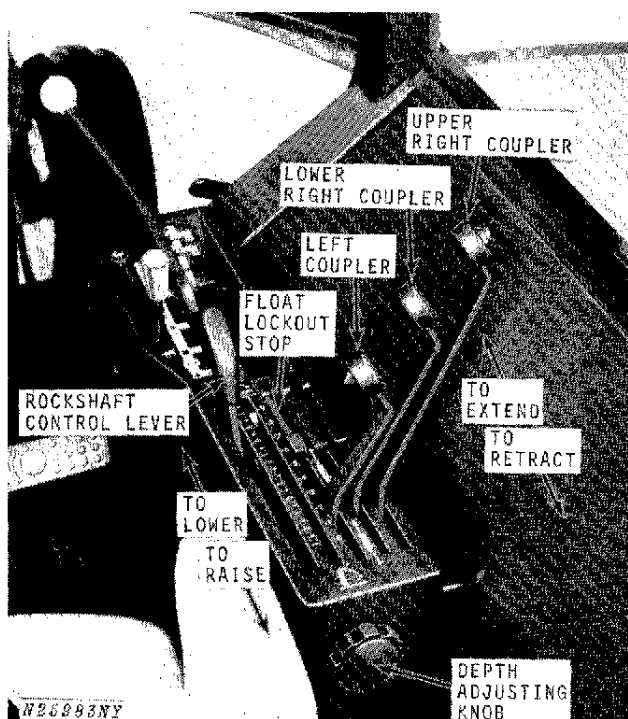
See your tractor operator's manual for correct tire inflation pressures and for instructions on any required wheel ballasting.

Sway Blocks, Drawbar, Lift Links and Center Links

The FM 468 Bean Cutter does not require use of rear-mounted tractor hitch gear. See your tractor operator's manual for instructions on securing idle hitch equipment.

If the bean cutter is to be used with equipment that must be attached to rear-mounted tractor hitch, refer to your tractor operator's manual for instructions on positioning the tractor sway blocks, drawbar, lift links and center links.

Rockshaft Control and Remote Cylinder Operating Levers.



Typical Console-4030 or Larger Tractor

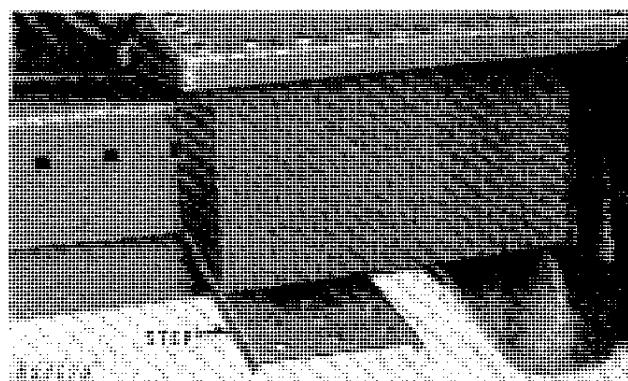
Rockshaft Control Lever

The tractor rockshaft control lever is not used with the bean cutter.

Remote Cylinder Operating Lever

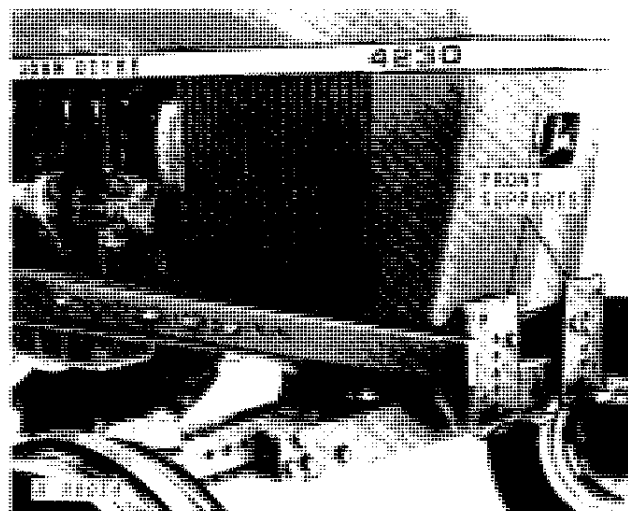
The hydraulic cylinders on the bean cutter connect to the remote cylinder outlets on the tractor. The remote cylinder levers on the tractor are used to lower the bean cutter for field use or raise it for transport. When the bean cutter is installed on the tractor, extending the hydraulic cylinder will lower the rig, retracting the cylinder will raise the rig.

Removing Tractor Step



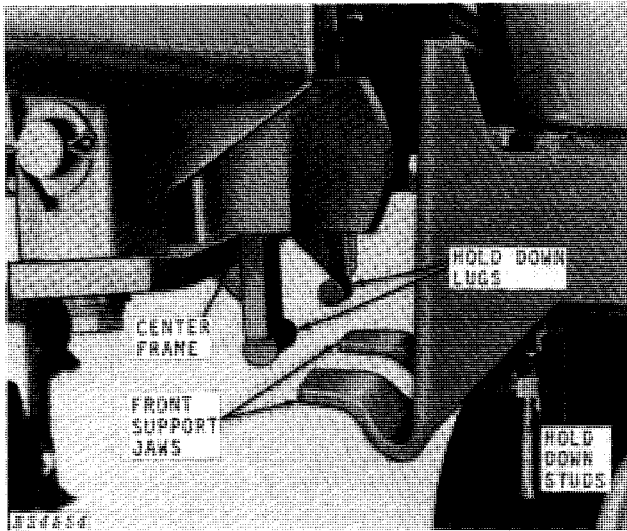
Remove tractor mounting step. Using one of the bolts removed with the tractor step, attach step provided with the bean cutter beneath the battery box.

ATTACHING BEAN CUTTER



The tractor frame supports must be installed on the tractor before the bean cutter can be attached. See ASSEMBLY, page 26 for tractor frame support installation instructions.

Positioning the Tractor and Bean Cutter



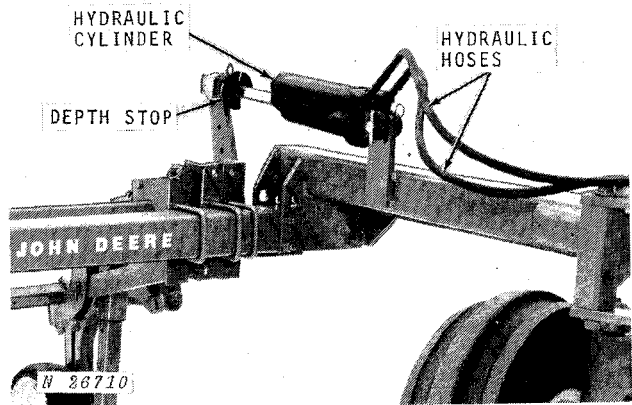
Adjust the hold-down studs on the tractor frame supports so that the tip of the stud will be flush with the front of the support.

Position the tractor so that the jaws on the tractor frame supports and the lugs on the bean cutter center frame are correctly aligned. Leave clearance for vertical adjustment.

Connecting the Hydraulic Cylinders

CAUTION: Hydraulic fluid escaping under pressure can have sufficient force to penetrate the skin and cause serious personal injury. Before disconnecting hydraulic lines, be sure to relieve all pressure. Before applying pressure to the hydraulic system, be sure all connections are tight and that lines, pipes and hoses are not damaged. Fluid escaping from a very small hole can be almost invisible. Use a piece of cardboard or wood, rather than hands, to search for suspected leaks.

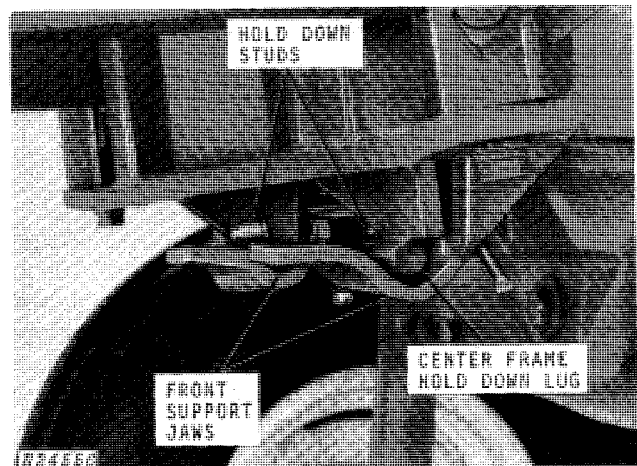
If injured by escaping fluid, see a doctor at once. Serious infection or reaction can develop if proper medical treatment is not administered immediately.



Install hydraulic cylinders in place on the bean cutter and connect the bean cutter hydraulic cylinder hoses to the remote cylinder tractor outlets. Test the system. When the bean cutter frame is properly set up on the storage stands, and not attached to the tractor, the center frame can be raised or lowered by manipulating the remote cylinder control levers on the tractor.

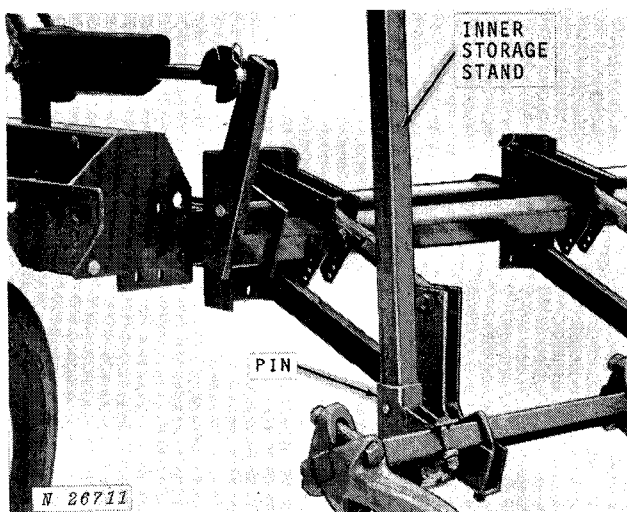
Before installing bean cutter on the tractor, set the depth stops on the hydraulic cylinders so that the cylinders will extend far enough to permit positioning the bean cutter frame for connection to the tractor.

Connecting the Bean Cutter Frames to the Tractor



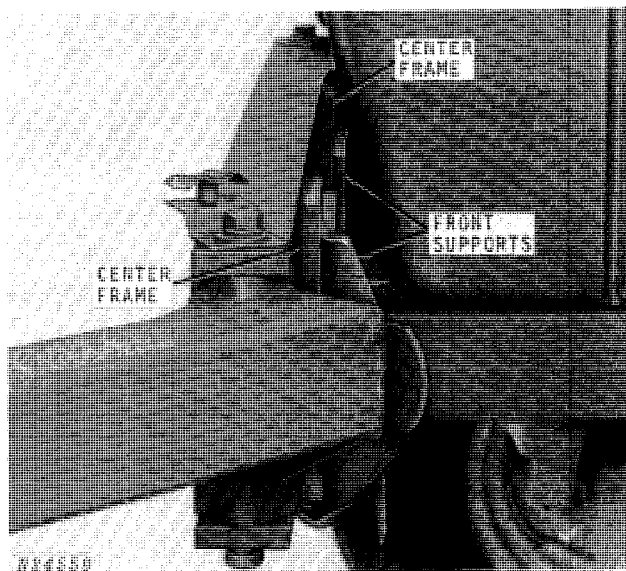
Use the hydraulic cylinders to position the bean cutter center frame so that the hold-down lugs on the center frame will clear the jaws on the tractor support frame when the tractor is moved forward.

Drive the tractor forward until the bean cutter center frame hold-down lugs are directly above the tractor frame support jaws. Lower the bean cutter hydraulically to position the lugs in the jaws. Secure by turning studs on the tractor support frame into the holes in the bean cutter center frame.

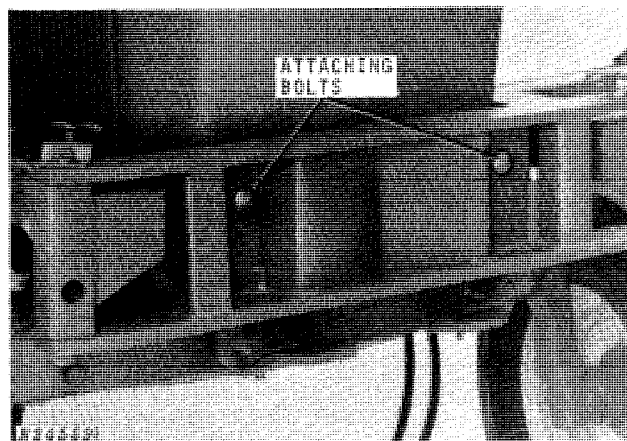


Raise and pin the inner storage stand in the upper position. If necessary, the rigs may be raised slightly to take some weight off the stand.

IMPORTANT: Use extra care in operating the hydraulic system once the bean cutter frame has been attached. The hydraulic cylinder, connecting arms and rig equipment will be damaged if too much pressure is applied after the bean cutter center frame and tractor support frame have come in contact.

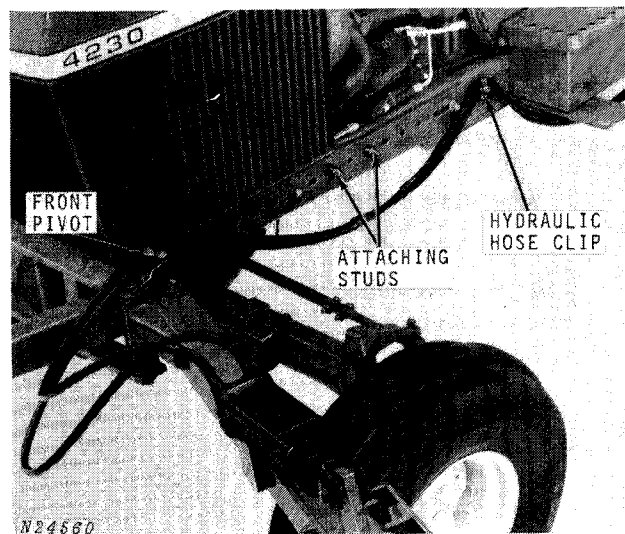


Lower the rigs to ground level and position the bean cutter center frame against the tractor frame supports.



Bolt the bean cutter center frame to the tractor frame supports.

NOTE: Because of temporary misalignment of the holes, it may not be possible to install both attaching bolts. If only one bolt can be installed, tighten the nut only enough to hold the bolt in place. The other bolt will be installed later.



Secure the hydraulic hose in place at the front pivot point and at the tractor side frame.

IMPORTANT: Leave enough slack in hydraulic hoses below attaching studs so that bean cutter attaching plates will not damage hoses when placed on attaching studs.

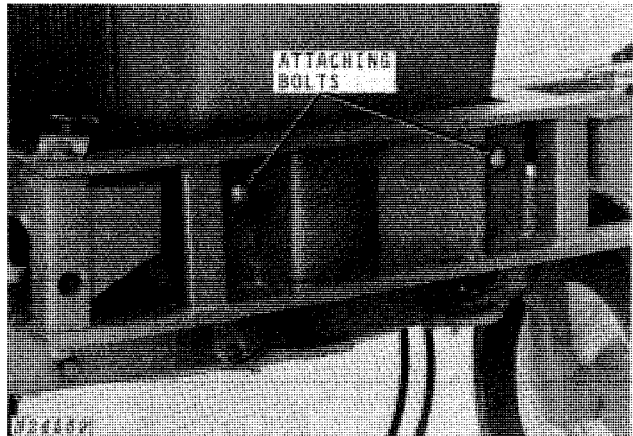
8 Operation



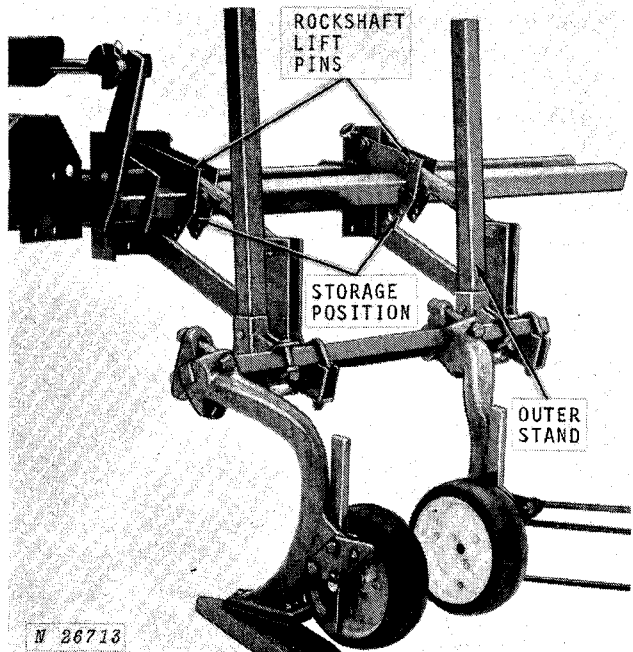
Raise rigs and swing one bean cutter frame into place on studs on side of tractor. Secure with QUIK—Lock pins.

NOTE: If frame bracket holes do not align with attaching studs, use hydraulic cylinders to align as follows:

1. Lower storage stands and rigs (if necessary) to allow installation of lift arm pins in Step 2.
2. Make sure rockshaft lift-arm pins are in UPPER position.
3. Retract cylinders to raise bean cutter frames or extend cylinders to lower frames, thus aligning holes with studs.
4. After frames are secured to studs, raise storage stands and pin in upper position. (See page 7.)



If only one bolt was installed on the bean cutter center frame and tractor support frame, install the second bolt. Tighten the nuts on both bolts.



Raise outer stand and pin in place.

IMPORTANT: Remove rockshaft lift pins from upper position and place in storage position.

Repeat the procedure for positioning second bean cutter frame against tractor side.

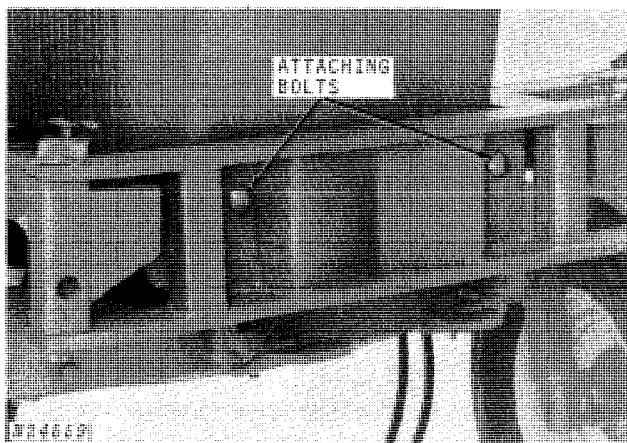
IMPORTANT: After frames are in place, check center frame attaching bolts and hold-down studs. Tighten if necessary.

The bean cutter is now ready for transport and field operation.

DETACHING BEAN CUTTER

Raise rigs to the full up position. Detach the frames as follows:

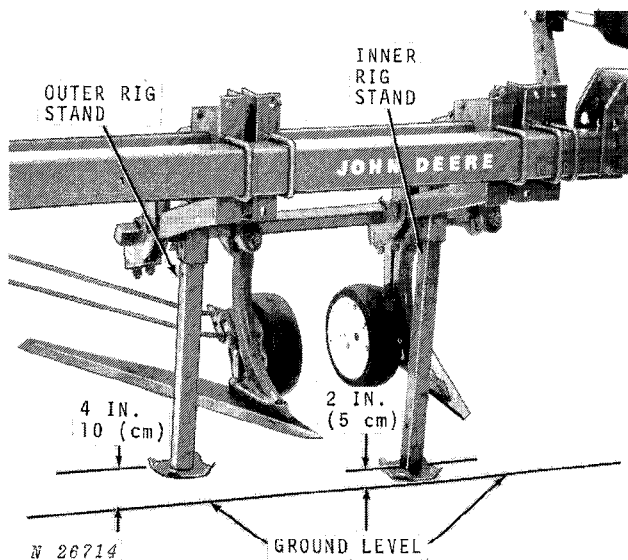
Detaching the Left-Hand Side



Remove nuts from center frame attaching bolts. Remove bolts if possible.

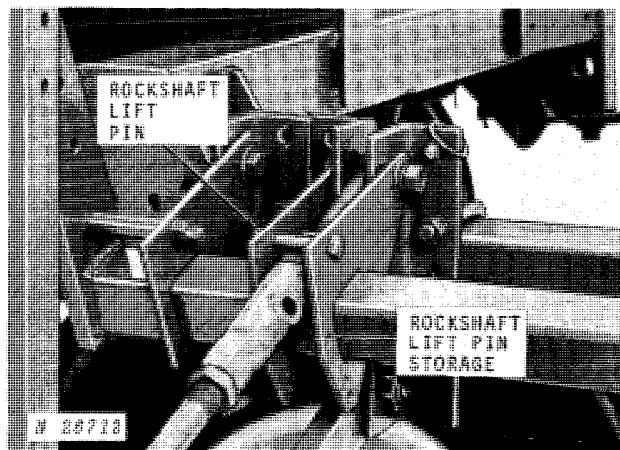
Remove Quik-Lock pins from attaching studs on left-hand side of tractor.

Fold bean cutter frame to front of tractor, slightly beyond 90 degrees.

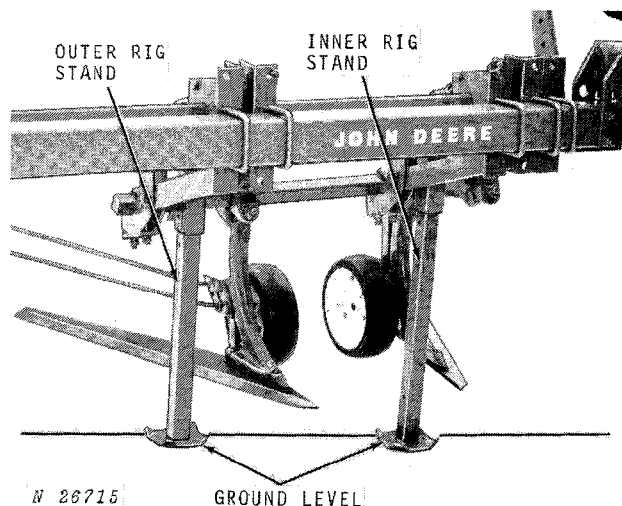


Lower outer rig stand. Leave approximately 4 inches (10 cm) between bottom of stand and ground.

Lower inner rig stand. Leave approximately 2 inches (5 cm) between bottom of stand and ground.



While rigs are still in the full up position, remove rockshaft lift pins from storage position and install in upper position.



Extend hydraulic cylinder until rig stands are contacting ground.

Thank you so much for reading.
Please click the “Buy Now!”
button below to download the
complete manual.



After you pay.

You can download the most
perfect and complete manual in
the world immediately.

Our support email:

ebooklibonline@outlook.com