



835 Series Precision Vegetable Row-Crop Cultivators



JOHN DEERE

OPERATORS MANUAL 835 Series Precision Vegetable Row-Crop Cultivators

OMN200014 J2 English

John Deere Des Moines Works
OMN200014 J2

LITHO IN U.S.A.
ENGLISH



INTRODUCTION



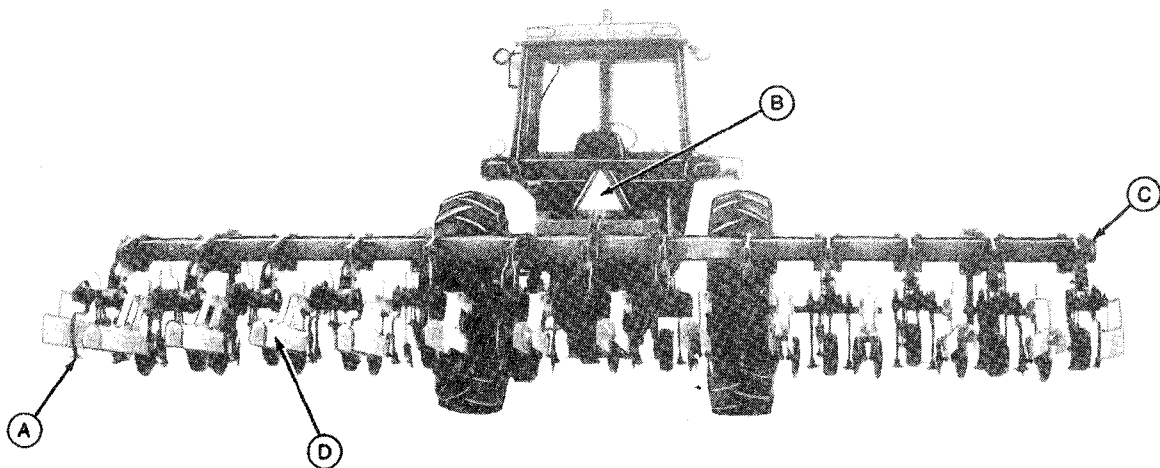
This safety alert symbol identifies important safety messages in this manual. When you see this symbol, be alert to the possibility of personal injury and carefully read the message that follows.

This publication contains both the US customary units of measurement and the SI Metric equivalents.

“Right-hand” and “left-hand” sides are determined by facing in the direction the cultivator will travel when in use.

Your warranty appears on your copy of the purchase order which you should have received from your dealer.

Record your model and serial number on page 42.



N81050G1

A—S-Tine Shank

B—SMV Emblem

C—5 x 7 x 260-in. (127 x 178 x 6604 mm) Frame

D—Tunnel Shields

N81050G1

1222P Twelve (22-in. [559 mm]) Row S-Tine Shank Cultivator with Tunnel Shields

835 SERIES PRECISION VEGETABLE ROW CROP CULTIVATOR

PREDELIVERY CHECK LIST

After the cultivator has been completely assembled, inspect to be sure it is in good running order before delivering to the customer. The following check list is a reminder of points to inspect. Check off each item as it is found satisfactory or after proper adjustment is made.

- SMV emblem and reflectors installed.
- All grease fittings have been lubricated, pages 25-27.
- Tires are properly inflated. Tighten wheel bolts to specified torque.
- Make sure row-spacing is set per customer order.
- Make sure all the customer-ordered attachments have been installed.
- Any parts scratched in shipment have been touched up with paint.
- This cultivator has been thoroughly checked and to the best of my knowledge, is ready for delivery to the customer.

Signature

Date

DELIVERY CHECK LIST

At the time the cultivator is delivered, the following check list is a reminder of information which should be conveyed directly to the customer. Check off each item as it is fully explained to customer.

- Tell the customer to use the proper tools.
- Explain to the customer that the life expectancy of this or any other machine depends on regular lubrication as directed in the operator's manual.
- Give the operator's manual to the customer and explain all operating adjustments.
- Make the customer aware of all the safety precautions that must be exercised while using this cultivator.
- When the cultivator is transported on a road or highway at night or during the day, accessory lights and devices should be used for adequate warning to operators of other vehicles. In this regard, tell customer to check local governmental regulations.

OM-N200014 J2

- To the best of my knowledge, this machine has been delivered ready for field use and the customer has been fully informed as to proper care and operation.

Signature

Date

AFTER-SALE CHECK LIST

The following is a suggested list of items to be checked at a dealer-customer mutually agreeable time during the first operating season.

- Check with the customer as to the performance of the cultivator. Make certain the proper operating adjustments are understood.
- If possible, operate the cultivator to see that it is functioning properly.
- Acquaint the customer with any special attachment which will help do a better job.
- Go over entire cultivator for loose or missing bolts.
- Check for broken or damaged parts.
- Ask the customer if the recommended periodic lubrication has been performed.
- Review the operator's manual with the customer and stress the importance of proper lubrication and safety precautions.

OWNER REGISTER

Name _____

Post Office _____

County _____ State _____ Zip _____

Model and Serial Number _____

Date Sold _____



Contents

	Page
Safety	2-3
Preparing the Tractor	4-5
Preparing Cultivator	6
Attaching and Detaching	7-9
Transporting	10
Operating the Cultivator	11-20
Row Spacing Charts and Diagrams	17-20
Attachments	21-24
Lubrication and Maintenance	25-27
Service	28
Storage	29
Assembly	30-38
Specifications	39-42
Serial number	42



Safety



N35538

Operate Safely

DO NOT operate cultivator without reading this operator's manual.

DO NOT allow anyone to ride on cultivator when it is in motion. Observe operation only from the tractor platform.

Always shut off tractor engine and shift to "park" when leaving tractor. Remove key when leaving tractor unattended.

DO NOT operate close to a ditch or creek.

Slow down when turning.

Drive slowly over rough terrain.

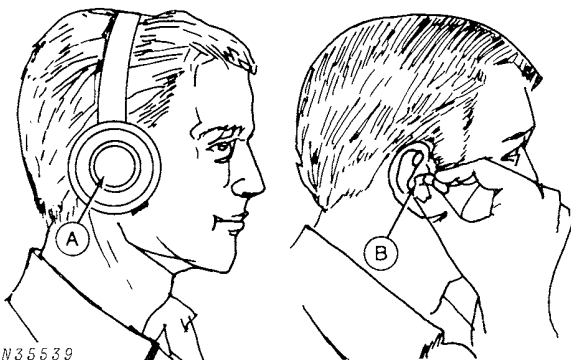
Apply both tractor brakes evenly when making emergency stops. Plan ahead.

Wear relatively tight and belted clothing to prevent being caught on some part of the machine.

Lower cultivator when not in use.

For tractor stability and operator safety, tractor front end weights may be required.

Wear leather gloves when handling double disk blades.



N35539

Protect Against Noise

Prolonged exposure to loud noise can cause impairment or loss of hearing.

Wear a suitable hearing protective device such as earmuffs (A) or earplugs (B) to protect against objectionable or uncomfortable loud noises.

A—Earmuffs

B—Earplugs

Avoid Fires

DO NOT refuel with the tractor engine running.

DO NOT smoke or use a lantern when refueling.

Transport Safely

When transporting the cultivator on a road or highway at night or during the day, use accessory lights and devices for adequate warning to operators of other vehicles. In this regard, check local governmental regulations. Various safety lights and devices are available from your John Deere dealer.

DO NOT fail to latch tractor brakes together.

Shift tractor into a lower gear when transporting down steep slopes or hills.

Keep the SMV emblem (bold arrow) and reflectors clean and visible from the rear.

Stop slowly.



1222P Cultivator in Transport

N81050G2

Practice Safe Maintenance

DO NOT lubricate, adjust, or clean the cultivator while it is in motion.

Always support cultivator frame and rigs on stands or blocks before working under or around cultivator.

Shut off engine and remove key when working on cultivator.

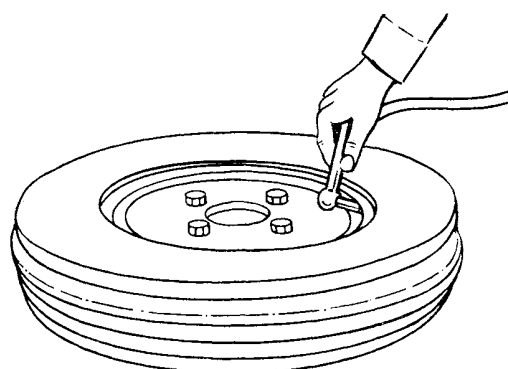
Unauthorized modifications to the machine may impair the function and/or safety and affect machine life.

Mounting Tires

Failure to follow proper procedures when mounting a tire on a wheel or rim can produce an explosion which may result in serious injury or death. Do not attempt to mount a tire unless you have the proper equipment and experience to perform the job. Have it done by your John Deere dealer or a qualified tire repair service.

When seating tire beads on rims, never exceed 35 psi (241 kPa) or maximum inflation pressures specified by tire manufacturers for mounting tires. Inflation beyond this maximum pressure may break the bead, or even the rim, with dangerous explosive force. If both beads are not seated when the maximum recommended pressure is reached, deflate, reposition tire, relubricate bead, and reinflate.

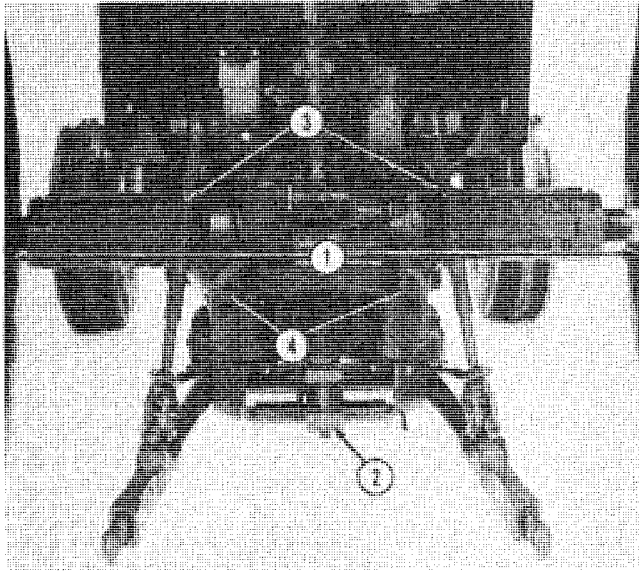
Detailed agricultural tire mounting instructions, including necessary safety precautions, are contained in John Deere Fundamentals of Service (FOS) Manual 55, Tires and Tracks, available through your John Deere dealer. Such information is also available from the Rubber Manufacturers Association and from tire manufacturers.



RW352



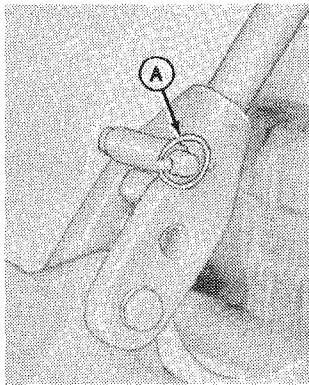
Preparing Tractor



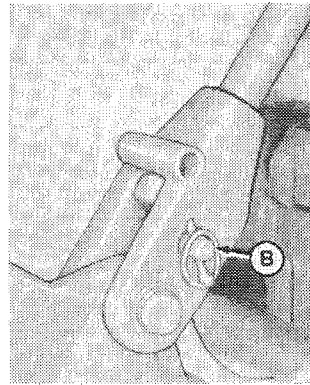
N82158A1

CAUTION: Make sure PTO guard and master shield are both installed on tractor.

1. Set tractor wheels for desired row spacing so wheels are centered between the rows. The dimension is measured from the center of the tractor to the center of each tire.
2. If necessary, place drawbar in short centered position or remove it.
3. Adjust lift links to minimum length.
4. Position sway blocks in upper wide setting.



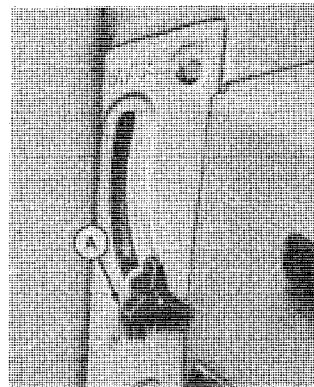
RW4416



RW4417

5. If cultivator has frame gauge wheels or guide wheels, place lateral float pins in upper holes (A). This allows either draft link to raise slightly as cultivator follows ground surface.

To hold cultivator rigidly, place lateral float pins in lower holes (B).

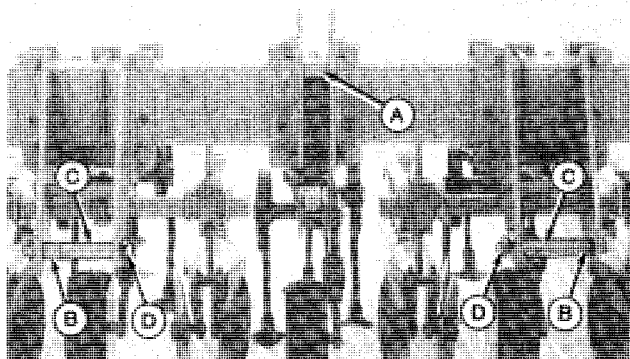


RW4392

6. Move rockshaft selector lever (A) to, "MIN" "ZERO" or "D".

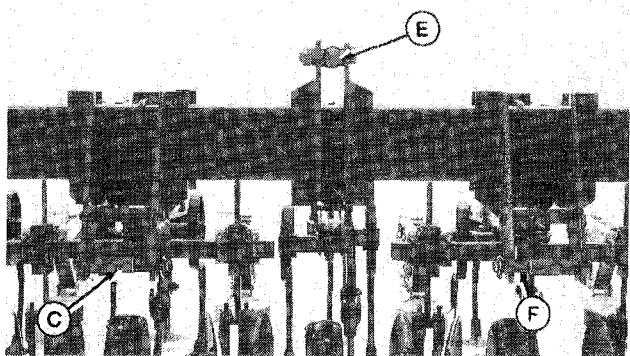


Preparing the Cultivator



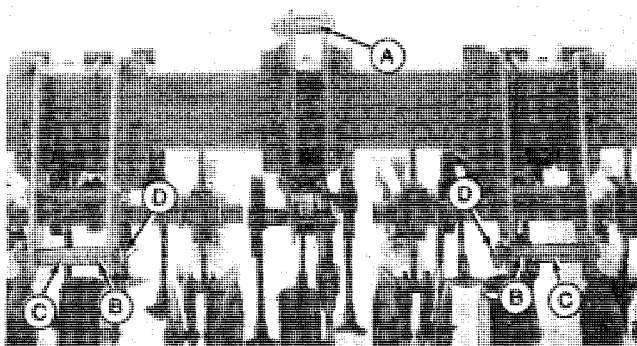
NB1055E1

Category 2 With Quick-Coupler



NB1077E1

Category 2 Without Quick-Coupler



NB1055D1

Category 3 With Quick-Coupler

Set the hitch pins and spacers to match your tractor hitch.

NOTE: Hitch pin brackets shown are representative and can be oriented differently depending upon your cultivator model.

- A—Mast Spacer
- B—Spacer
- C—Sleeve
- D—Hitch Pin
- E—Mast Ball and Spacer
- F—Spacer Removed



Attaching and Detaching

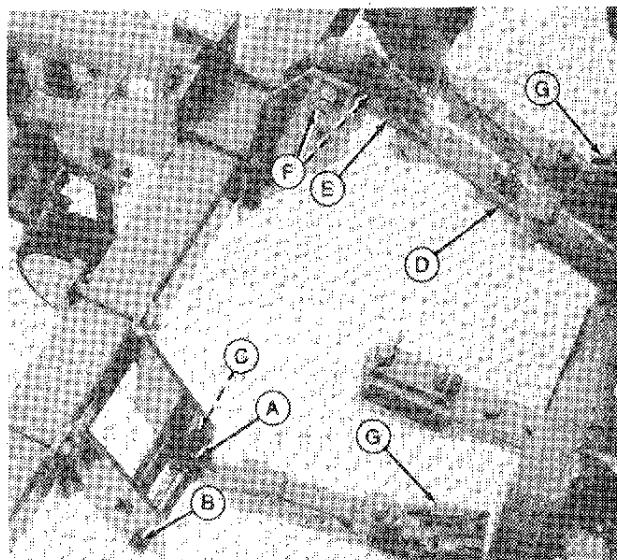
ATTACHING CULTIVATOR TO TRACTOR

CAUTION: Before attaching cultivator to tractor be sure hitch pins and spacers are completely assembled to match the hitch configuration of your tractor (see page 6).

Tractor Without Quick-Coupler

1. Back tractor and align draft links (A) with hitch pins (B).
2. Stop engine and set brakes.
3. Extend draft links (A) and adjust length of lift links (G) to allow installation of hitch pins.
4. Install pins and secure quick-lock pins (C).
5. Adjust length of center link (D); then fasten to mast ball (F) and secure latch lever (E). Level cultivator. See page 9.
6. Raise storage stands, if equipped.

A—Draft Links	D—Center Link
B—Hitch Pins	E—Center Link Latch Handle
C—Quick-Lock Pins	F—Hitch Pin and Ball
	G—Lift Links

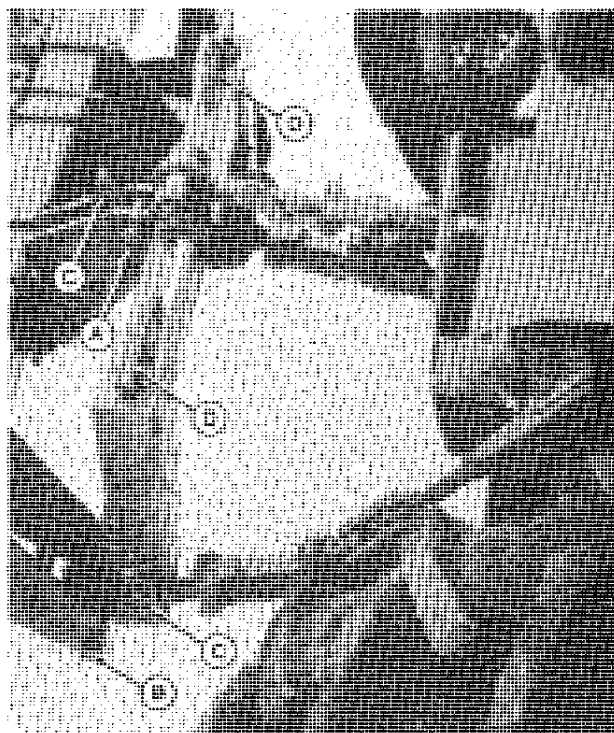


NB1043A2

Tractor With Quick-Coupler

1. Lower coupler to allow jaws to pass under cultivator mast spacer (A) and hitch pins (B).
2. Back tractor; raise coupler to firmly seat coupler jaws (C).
3. Lock latch levers (D). The spring loaded latches in the lower coupler jaws must be extended above hitch pins.
4. Raise storage stands, if equipped.

A—Mast Spacers
B—Hitch Pins
C—Coupler Jaws
D—Latch Levers



NB1043A2

Thank you so much for reading.
Please click the “Buy Now!”
button below to download the
complete manual.



After you pay.

You can download the most
perfect and complete manual in
the world immediately.

Our support email:

ebooklibonline@outlook.com