

NO. 226 TWO-ROW MOUNTED CORN PICKER



JOHN DEERE

OPERATORS MANUAL NO. 226 TWO-ROW MOUNTED CORN PICKER

OMN21151 K1 English

OMN21151 K1

LITHO IN THE U.S.A.
ENGLISH



FOREWORD

The purpose of this book is to give you useful information on how to best operate your new John Deere No. 226 Corn Picker in the many field and crop conditions under which corn is grown.

A Corn Picker must be built to handle a wide range of conditions. Average conditions can be handled by the standard equipment with which picker is shipped. However, unusual conditions may require some special equipment. Your new No. 226 will do a type of work directly proportional to the amount of care you use in operating it.

Field conditions vary from year to year, from day to day and even from hour to hour. Different varieties of corn present widely different picking problems. A careful study of the adjustments on your picker and what they accomplish under different conditions will allow you to reap the many benefits and economies that a picker can provide.

Remember that compromises are often necessary if you are to obtain the best over-all results. To illustrate, if clean husking is insisted upon a little more corn may be shelled. If shelling is to be held to a minimum a few more ears with husks must be accepted. Always remember, the most important objective is to get the corn out of the field and into the wagon.

If you find you need information not covered in this manual, see your John Deere dealer. He has the latest information on how to get the best service from your picker and can give you prompt "know-how" service in the field or in his shop.

When in need of parts, go to your John Deere dealer. Be sure to give him the correct part number and a complete description of the part. This information can be obtained by referring to the exploded view section of this manual, where these parts can be readily and accurately identified. Also be sure to give him the serial number of your corn picker and the year purchased. This information should be recorded in the space provided on this page as soon as you have received your picker.

Serial Number of This Picker is

.....
Date Purchased.....

You will find the Serial Number stamped on the right-hand outer husking roll drag chain tightener bracket as illustrated.

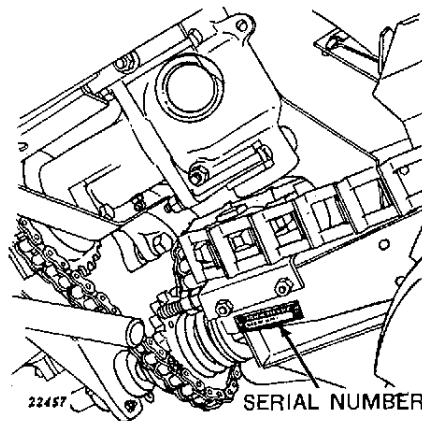


TABLE OF CONTENTS

	<i>Page</i>
SPECIFICATIONS AND DATA.....	4
LUBRICATION.....	5-9
OPERATING THE JOHN DEERE No. 226 CORN PICKER	10-27
General Instructions.....	10-11
Gatherers.....	12-13
Snapping Rolls.....	14-15
First Elevator.....	15
Husking Roll Drag Chains.....	15
Husking Rolls.....	16-17
To Adjust Husking Rolls.....	16-17
Husk Auger.....	18
Fan.....	18-19
Wagon Elevator.....	19
Chains.....	20-21
Drive Chains.....	21
Slip Clutches.....	22
Safety First.....	22
Starting Tractor.....	23
Removing Picker From Tractor.....	24-25
Tire Inflation Table.....	26
When the Season Is Over.....	26
Service at the Beginning of the Season.....	27
PICKING DIFFICULTIES.....	28-34
SPECIAL EQUIPMENT.....	35-41
Wagon Tongue Hinge Irons.....	35
Wagon Tongue Hitch.....	36
Gatherer Fender Rods.....	37
Wagon Box Steel Flareboards.....	37
Trash Knives.....	38
Special Parts for Styled Models "A" and "B" Tractors Equipped with Starter and Lights.....	39-41
SHIPPING BUNDLES.....	42-46
SETTING-UP THE JOHN DEERE No. 226 CORN PICKER	47-67
The Proper Method.....	47
Choke Control and Sediment Bulb.....	48-49
Radiator Screen.....	49-50
Attaching Parts.....	51-54
Attaching Parts and Engine Shields.....	55-59
Connecting Picker to Tractor.....	60-66
Wagon Elevator.....	67

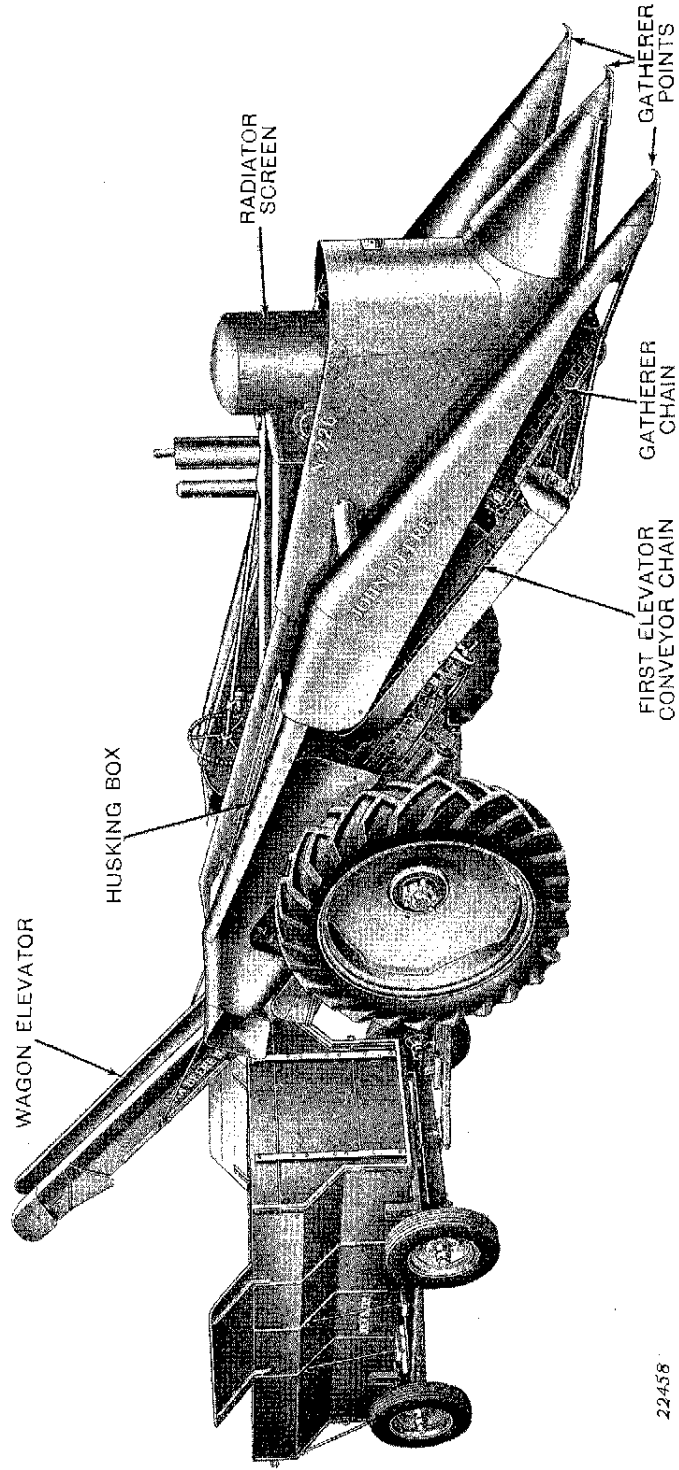
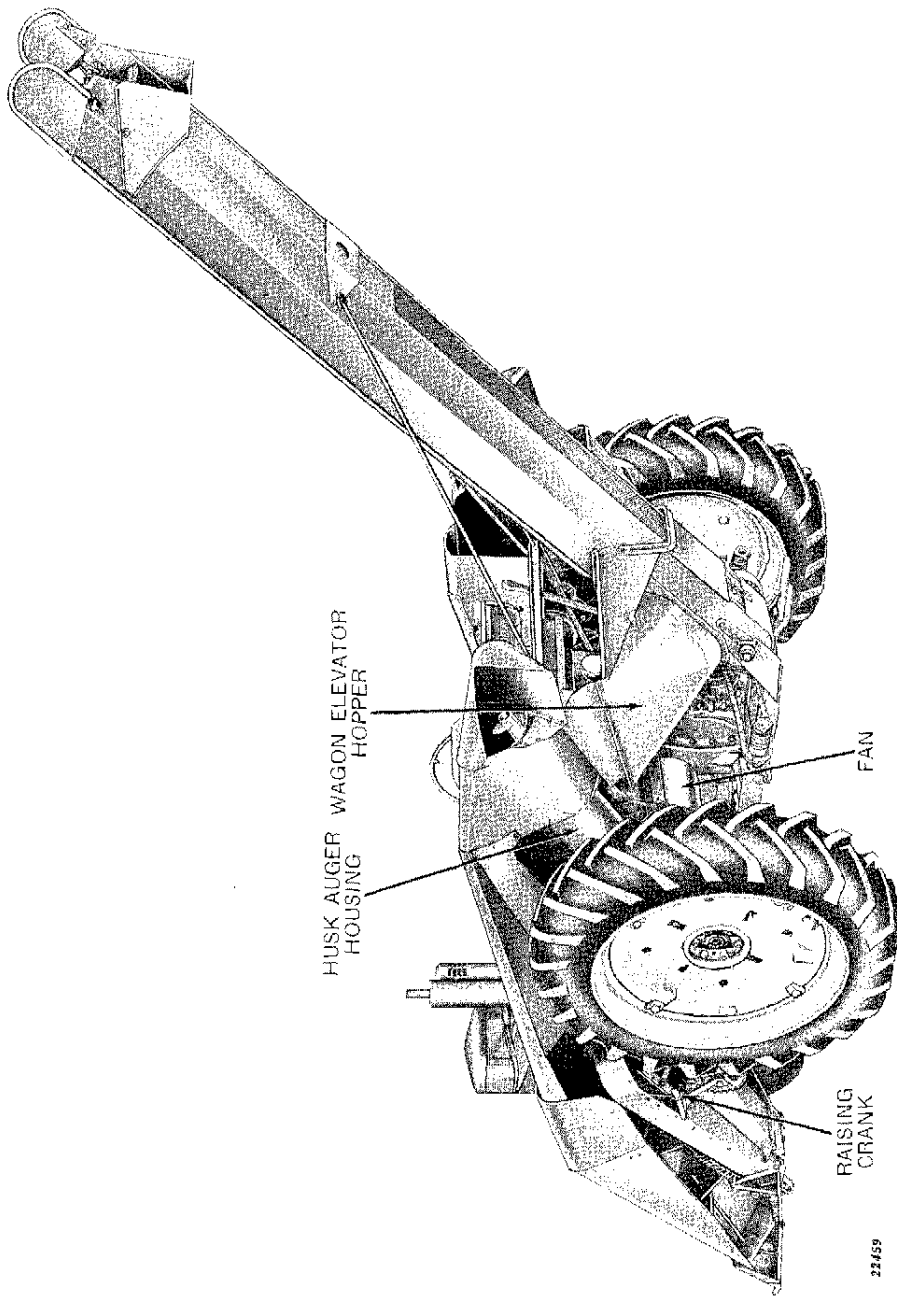


Figure 1—Right-Hand Side of John Deere No. 226 Corn Picker

22458



22459

Figure 2—Left-Hand Side of John Deere No. 226 Corn Picker

Thank you so much for reading.
Please click the “Buy Now!”
button below to download the
complete manual.



After you pay.

You can download the most
perfect and complete manual in
the world immediately.

Our support email:

ebooklibonline@outlook.com