

John Deere 4260 Series Two-Row Rear-Mounted Cultivator



JOHN DEERE

OPERATORS MANUAL

John Deere 4260 Series Two-Row
Rear-Mounted Cultivator

OMN40759 G9 English

OMN40759 G9

LITHO IN U.S.A.
ENGLISH



TO THE PURCHASER

This Operator's Manual has been carefully prepared and illustrated to provide the necessary information regarding installation, operation, and adjustments so that you may obtain maximum service and satisfaction from your new 4260 Series Cultivator.

STUDY THIS MANUAL CAREFULLY AND KEEP IT IN A SAFE PLACE FOR FUTURE REFERENCE.



If you find that you require information not covered in this manual, consult your John Deere dealer. He will be glad to answer any question that may arise regarding the operation of your cultivator. Your John Deere dealer has trained mechanics who are kept informed on the best service methods and will render you prompt service if needed.

Occasionally, your cultivator may need new parts to replace worn parts. If you will furnish your dealer the description and the information which should be recorded at the bottom of this page when the cultivator is delivered, he can give you prompt and efficient parts service.

**JOHN DEERE 4260 SERIES
TWO-ROW REAR-MOUNTED CULTIVATOR**

No. of Cultivator.....

Date of Purchase..... 19.....

(To be filled in by Purchaser)

TABLE OF CONTENTS

	<i>Page</i>
COMPLETE VIEW OF CULTIVATOR.....	2
DESCRIPTION.....	3
INDENTIFICATION OF PARTS.....	3
SPECIFICATIONS AND DATA.....	4
OPERATION.....	5-12
Preparing the Tractor.....	5-6
Attaching Cultivator.....	7-8
Detaching Cultivator.....	8
Setting Load Control.....	9
Leveling.....	9
Row Spacing.....	10
Adjusting Shields.....	11
Setting Rolling Coulters.....	11
Adjusting Shanks Vertically.....	12
Leveling Sweep Wings.....	12
Leveling Sweeps.....	12
MAINTENANCE.....	13
ASSEMBLY.....	14-19
General Instructions.....	14
Shipping Bundles.....	15
Setting Tractor Rear Wheels.....	16
Standards and Hitch Mast.....	17
Rolling Coulter.....	18
Shields.....	18
Guide Rods.....	19
Attaching to Tractor.....	19

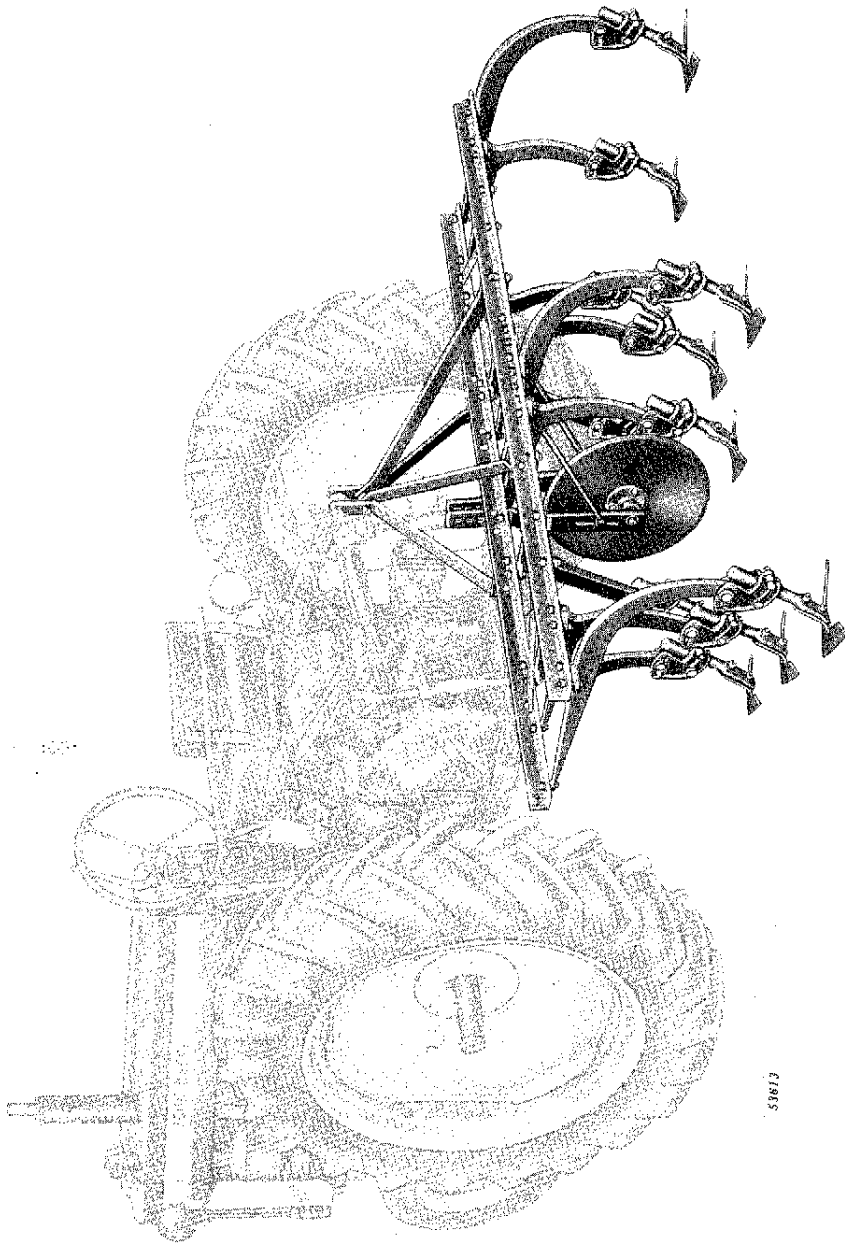


Figure 1—John Deere 4262 Two-Row Rear-Mounted Cultivator

53613

DESCRIPTION

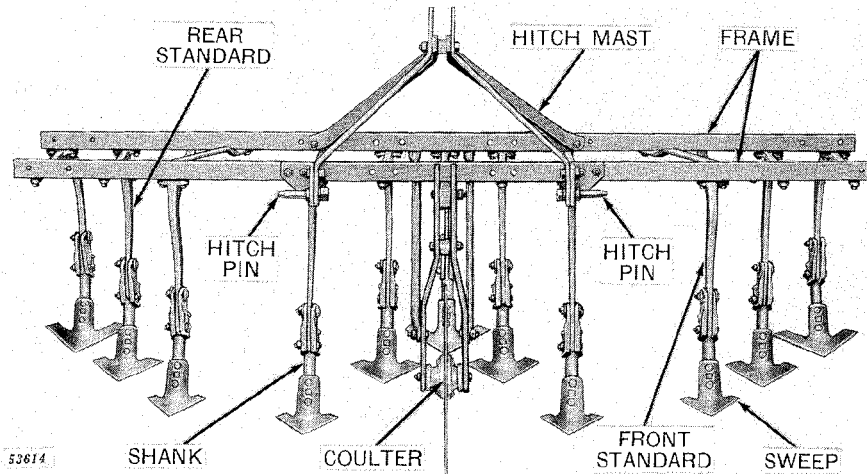


Figure 2—John Deere 4262 Rear-Mounted Cultivator

The John Deere 4260 Series Two-Row Rear-Mounted Cultivator is designed for use with John Deere "430," "420," and "40" Series Tractors, and other comparable tractors with 3-point hitch.

With a variety of sweeps available, the cultivator will do good work in all types of soil and over a wide range of field conditions.

A guide rod placed on the front of the tractor directly above the right-hand row being cultivated, enables the operator to follow the rows easily without looking to the rear. The guide rod is adjustable to meet desired row spacings.

SPECIFICATIONS AND DATA

SHANKS AND STANDARDS

Number of Cultivator	Shanks Number Used	Standards Number Used	Sweeps Total Number	Row Spacing
4262	11—Heat treated Rigid Shanks—1-3/8"	11—Heat treated Forgings	11	28"—42"

FRAME.

The frame members are 2 x 2 x 3/8 inches high carbon alloy steel angles, 86 inches long.

LIFT.

The cultivator is raised and lowered by the rockshaft of the tractor Touch-o-matic hydraulic system. The left-hand Touch-o-matic lift arms must be pinned together so the Touch-o-matic cylinders work in parallel.

TRACTORS.

The 4260 Series Cultivators are designed for use with John Deere Series "430," "420," and "40" Tricycle-Type Tractors, "430," "420," and "40" Row-Crop Utility Tractors, "430," "420," and "40" Tractors with adjustable front axle, and comparable tractors with 3-point hitch.

WEIGHTS.

Added weights are not required when using this cultivator.

GENERAL.

NOTE: Right- and left-hand referred to in this manual are determined from a position at the rear of the machine facing in the direction of travel.

(Specifications and design subject to change without notice.)

OPERATION

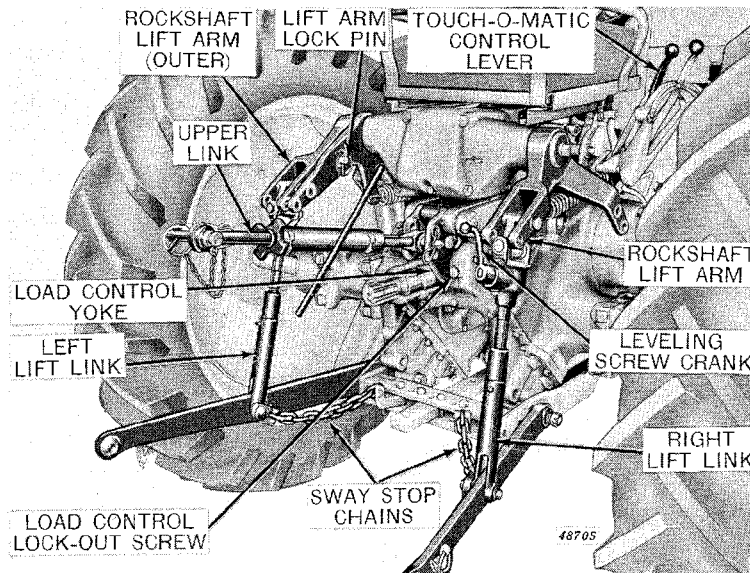


Figure 3—"40" Tractor with 3-Point Hitch

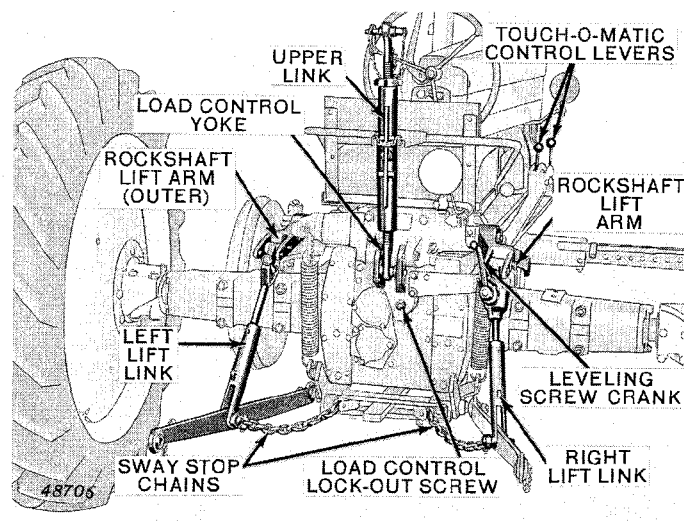


Figure 4—"420" Tractor with 3-Point Hitch

PREPARING TRACTOR.

The front and rear wheels of the tractor should be 56 to 84 inches apart, center to center of tires, depending upon the width of the row (see page 16).

For average conditions pin the upper link to center hole in load control yoke. For light draft conditions use the bottom hole; for heavy draft conditions use the top hole.

Turn in load control lock-out so load control yoke will operate.

ROCKSHAFT LIFT ARMS.

Pin upper ends of lift links to inner holes in rockshaft lift arms, "A," Figure 5.

On John Deere "430," "420," and "40" Tractors, pin the left-hand rockshaft lift arms together with lift arm lock pin, Figure 6, so the Touch-o-matic cylinders will work in parallel to obtain maximum lifting capacity.

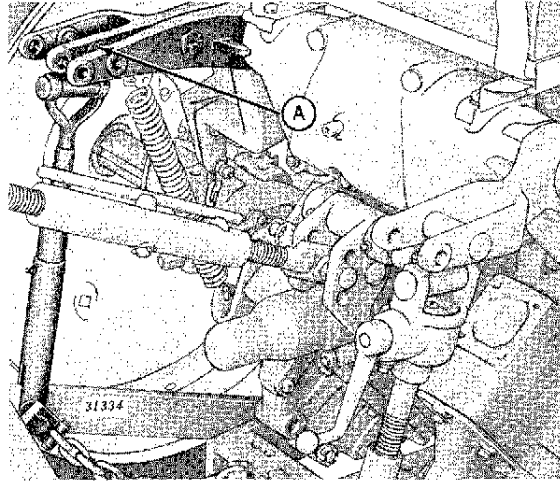


Figure 5—Lift Links

TOUCH-O-MATIC CONTROL LEVER AND CROSSOVER VALVE.

Move the left-hand or inner control lever to the rear and set the quadrant stop against the lever. Set the crossover valve in the "out" position. On older "420" and all "40" Tractors the crossover valve is controlled by a lever which must be set in the forward position.

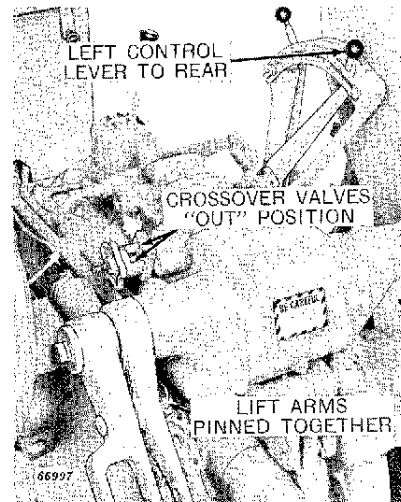


Figure 6—Lift Arms

Thank you so much for reading.
Please click the “Buy Now!”
button below to download the
complete manual.



After you pay.

You can download the most
perfect and complete manual in
the world immediately.

Our support email:

ebooklibonline@outlook.com