



# MT200 SERIES TRACTOR CULTIVATOR



JOHN DEERE

## OPERATORS MANUAL MT200 SERIES TRACTOR CULTIVATOR

OMN6150 (01JAN50) English

**OMN6150 (01JAN50)**

LITHO IN THE U.S.A.  
ENGLISH



## YOUR NEW CULTIVATOR

Behind your new cultivator is an organization that has designed and built farm implements for over 100 years. This cultivator was built in a John Deere Factory by experienced men, thus assuring the utmost in design, high-grade workmanship, and thorough inspection, so essential to the production of good cultivators.

High quality materials, precision production methods, and accurately controlled heat-treating assure maximum strength and long life for every part.

This manual has been carefully prepared and illustrated so that you may make the necessary adjustments for adapting your cultivator to work properly in all types of field cultivation. These adjustments such as row spacing and proper leveling of shovels or sweeps are fully covered in this manual. Study the manual carefully and make it your guide.

Occasionally your cultivator may need new parts to replace worn parts or emergency service may be required that is not covered in this manual. If so, we suggest that you take advantage of the facilities offered by your John Deere dealer; which assures you of genuine John Deere parts or other prompt "know-how" service in the field or shop.

If you will furnish your dealer the part number, description, and the information which should be recorded at the bottom of this page, when the cultivator is delivered, he can give you prompt and efficient service.

**JOHN DEERE MT200 SERIES TRACTOR CULTIVATOR**

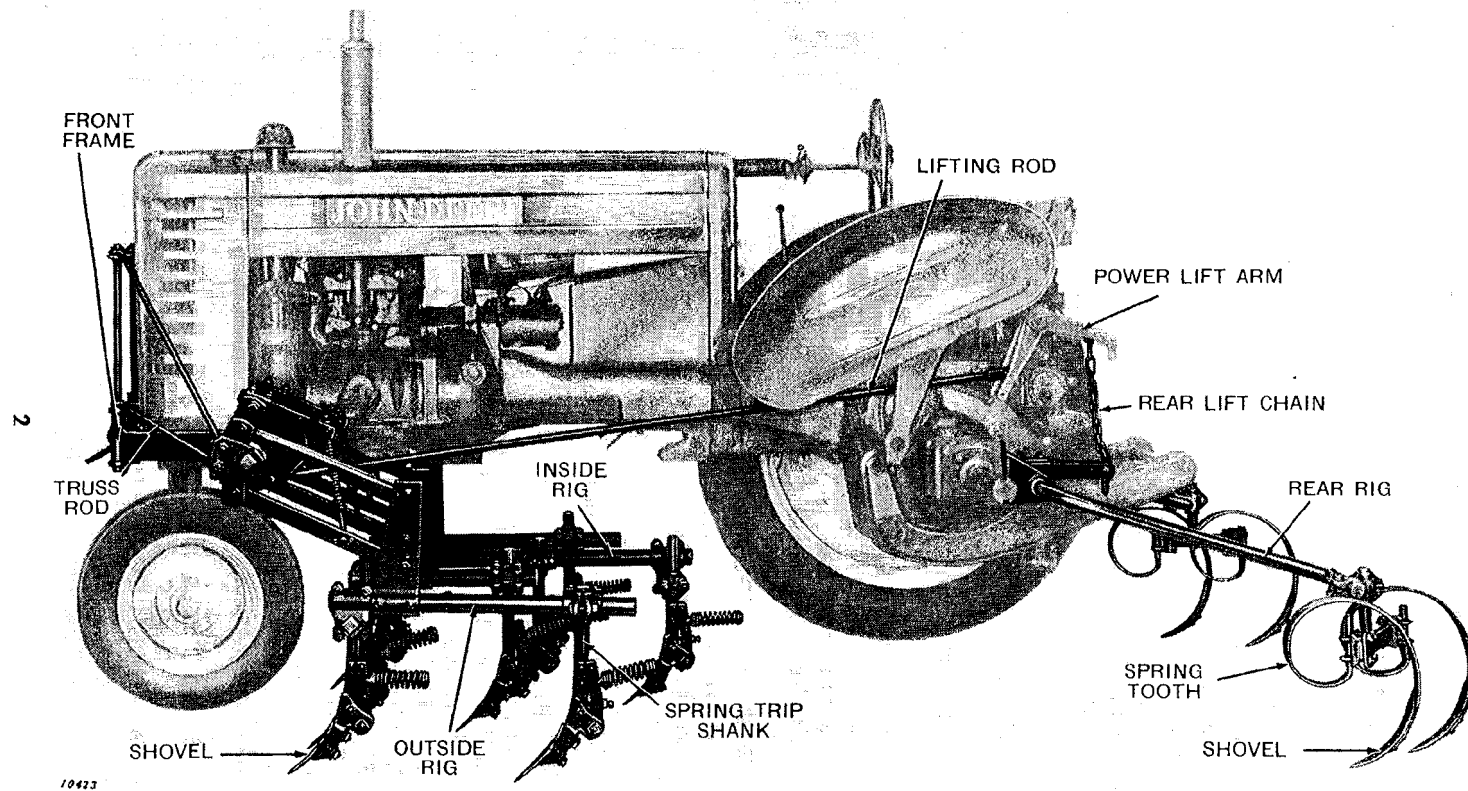
No. of Cultivator .....

Date Purchased ..... 19.....

*(To be filled in by Purchaser)*

# TABLE OF CONTENTS

	<i>Page</i>
IDENTIFICATION OF CULTIVATOR PARTS.....	2-3
SPECIFICATIONS.....	4
OPERATING AND ADJUSTING:	
Shovels and Sweeps.....	5
Depth Control.....	5
Leveling Front Rigs.....	6
Spring Trips.....	6
Attaching and Detaching Cultivator.....	7-9
Row Spacing.....	9
Shields.....	10
SPECIAL EQUIPMENT:	
Disk Hillers.....	11
Knife Attachment.....	11
Spread Arch.....	12
Listed Corn Cultivating Attachment.....	12
Spread Bar.....	12
No. 1 Centering Attachment.....	13
No. 1 Spring-Tooth Attachment.....	13
MAINTENANCE SUGGESTIONS:	
Shovels and Sweeps.....	14
Sharpening Shovels and Sweeps.....	14
Lubrication.....	14
Rigs.....	14
Tractor Tire Inflation Pressures.....	14
SETTING UP:	
General Instructions.....	15
Shipping Bundles (Regular and Special).....	16-18
Setting Tractor Rear Wheels.....	19
Front Coupling Plate.....	19
Quik-Tatch Frame.....	20
Front Rigs.....	21
Lifting Pipes.....	22
Rear Rigs.....	23
Shields.....	25
Overhead Illustrations of Rigs.....	26-34
PARTS LIST AND ILLUSTRATIONS.....	35-52
NUMERICAL INDEX OF PARTS.....	53-55



10423

*Figure 1—MT207 Power Lift Tractor Cultivator  
(Tractor Wheel Removed to Show Cultivator Detail)*

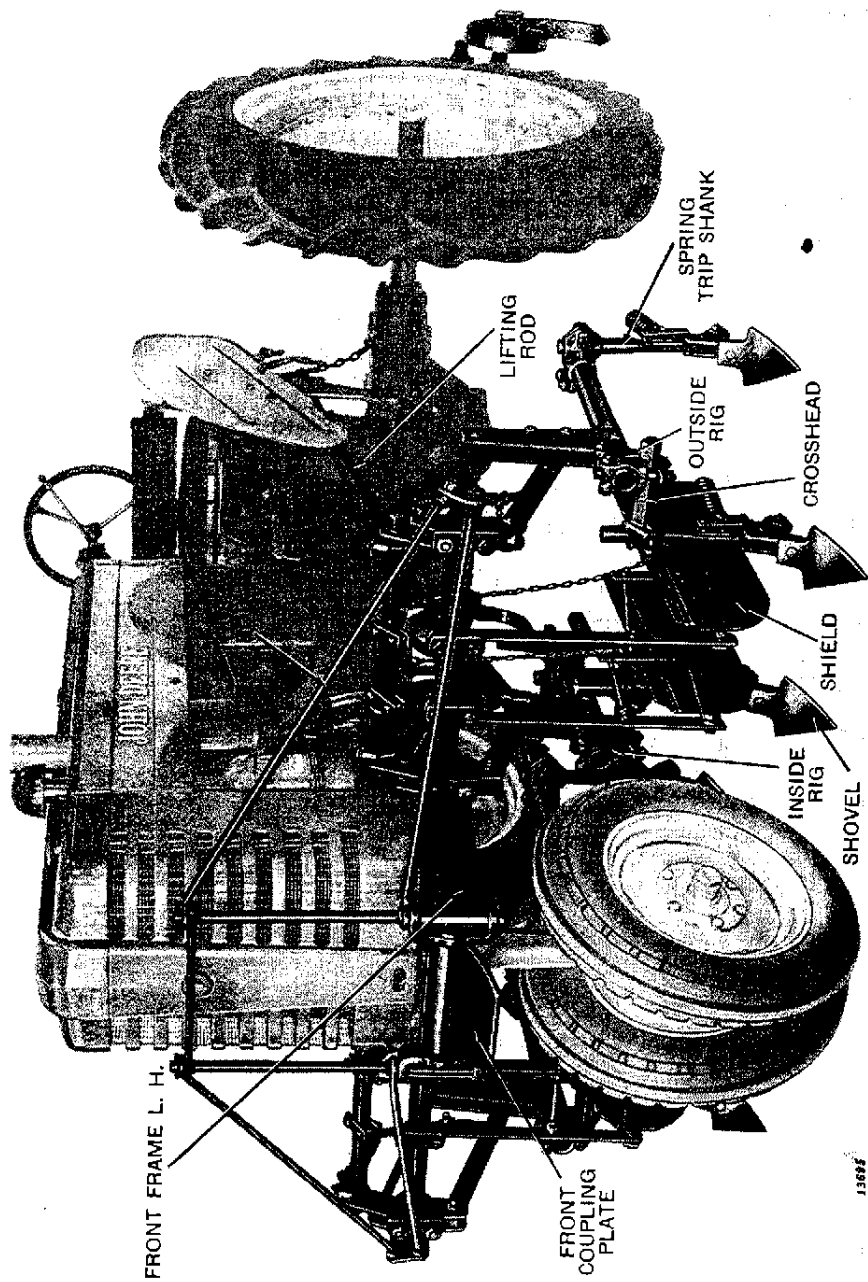


Figure 2—Front View, L. H. MT207 Power Lift Tractor Cultivator

1566f

## SPECIFICATIONS

### Description.

All the cultivators listed below have four front rigs.

The No. MT201 has no rear rigs.

The Nos. MT202 and MT203 have two (parallel) rear rigs.

The Nos. MT204 and MT207 have two (straight) rear rigs.

The Nos. MT212, MT214, MT216 and MT218 have two (offset) rear rigs.

### TYPE OF SHANKS AND NUMBER USED

No.	Front	Rear	Total No. Shovels or Sweeps	Row Spacing
MT 201	11 Spring Trip 1-3/8" Shanks	{ None	11	28"-42"
MT 202	9 Spring Trip 1-3/8" Shanks	{ 2 Spring Trips 1-3/8" Shanks	11	34"-42"
MT 203	Same as MT202 except having Quick Adjustable Spring Trip Shanks			
MT 204	9 Double Spring Teeth	{ 4 Single Spring Teeth	13	34"-42"
MT 207	9 Spring Trip 1-3/8" Shanks	{ 4 Single Spring Teeth	13	34"-42"
MT 212	9 Spring Trip 1-3/8" Shanks	{ 2 Spring Trips 1-3/8" Shanks	11	28"-42"
MT 214	11 Single Spring Teeth	{ 4 Single Spring Teeth	15	28"-48"
MT 216	11 Spring Trip 1-3/8" Shanks	{ 4 Single Spring Teeth	15	28"-48"
MT 218	{ 4 Spring Trip 1-3/8" Shanks 7 Single Spring Teeth	{ 4 Single Spring Teeth	15	28"-48"

All cultivators, MT200 Series, are erected at the factory for 40-inch row spacing. To adjust rigs for other row spacing see instructions, Page 9.

## OPERATING AND ADJUSTING

### Shovels and Sweeps.

Remove varnish from shovels and sweeps to obtain a quick polish. Be sure shovels or sweeps are at a uniform height to insure even cultivation.

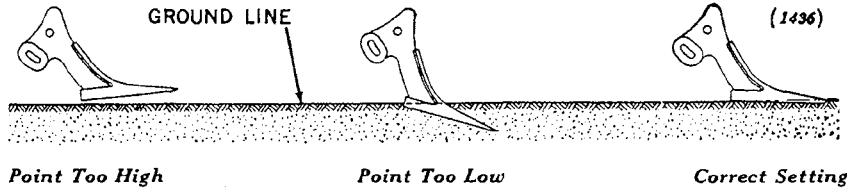
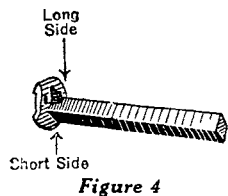


Figure 3—Setting Sweeps on Shanks

### Leveling Shovels or Sweeps.

There is only a limited amount of vertical adjustment in the offset shank—therefore, first adjust the offset shank to the desired position and then *level all shovels or sweeps to the shovel or sweep on the offset shank*. All shovels or sweeps must be set in the correct setting in relation to the ground. (See Figure 3.)



**CAUTION:** The clamp end of the cross-arms are 3/4-inch longer on one side than on the other. (Note construction of crossheads.) The crosshead should ordinarily be installed in the clamp so that the longer side of clamp end is down, thus providing ample vertical adjustment to level shovels or sweeps. (See Figure 4.)

### To Lift the Cultivator.

The front and rear rigs are raised and lowered by the Touch-o-matic hydraulic control on the tractor.

### Depth Control.

The Touch-o-matic control of the tractor assures positive depth control of cultivator rigs at any desired depth. The right-hand front and rear rigs can be raised or lowered individually from the left-hand rigs or vice versa.

Drawbar lift chain must be attached to **front** holes on the rockshaft power lift arms. (See Figure 5.) This assures fine depth adjustment.

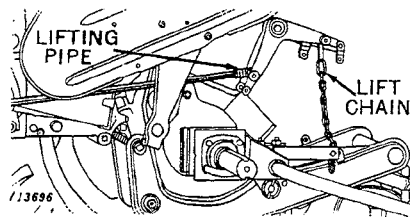


Figure 5

### Leveling and Tilting the Front Rigs.

Each front rig lifting rod is provided with a collar and set screw adjustment "A," Figure 6. Adjust so that all rigs operate at the same level. Tilt the rigs up or down with slotted adjustment at "B," Figure 6.

### Spring Trips.

Each spring trip should be tripped before starting cultivator to be sure they will function properly. The tension on the spring trips may be adjusted with the nut "C," Figure 6, at the rear end of the spring. If additional adjustment is required, this may be procured with the set screw "D," Figure 6, which is just below the spring. However, this is a factory adjustment and rarely requires changing. One-half to one turn of the set screw makes a big difference in the action of the trip. To make the trip hold tighter, turn the set screw out; turn the set screw in to make the trip release more easily.

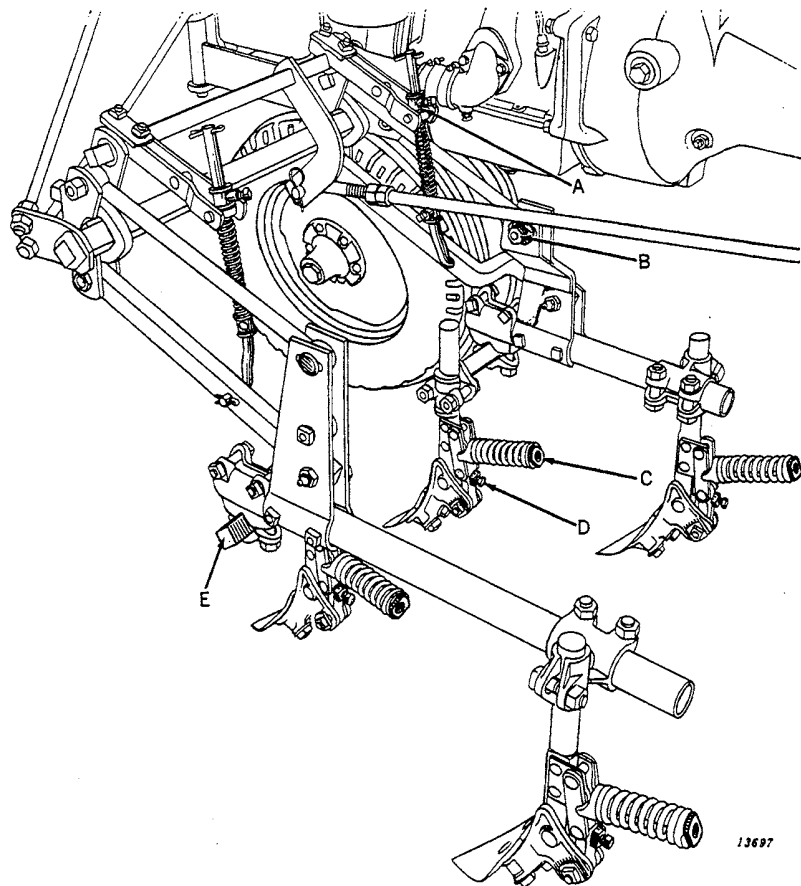


Figure 6—Adjustments of Rigs and Spring Trips



## ATTACHING QUIK-TATCH CULTIVATOR

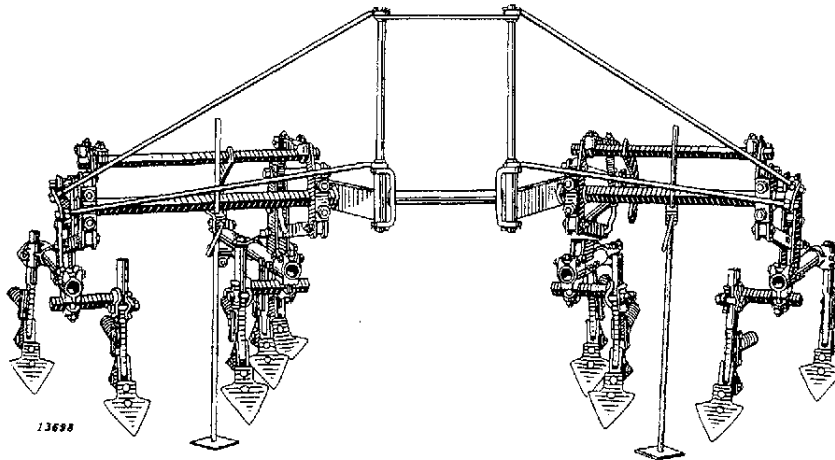


Figure 7—Quik-Tatch Cultivator on Stands

Front section of cultivator must be in position as shown in Figure 7. Drive tractor forward into cultivator as shown in Figure 8, until cultivator Quik-Tatch frame engages Quik-Tatch front coupling plate on tractor. Then swing right and left front sections to tractor frame, fastening with bolt as at "A," Figure 10.

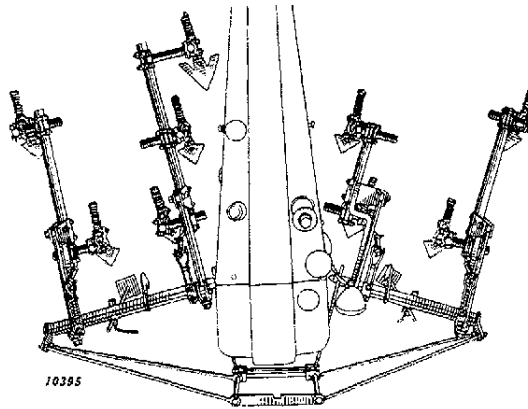
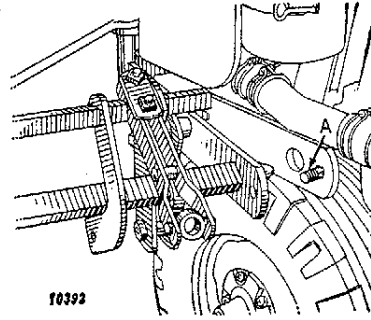


Figure 8—Driving Tractor Into Quik-Tatch Cultivator

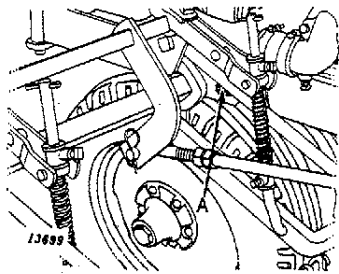
Attach lifting pipes as shown in Figure 11, and remove stands. Stands should be carried on front section of cultivator, permitting quick accessibility.

If rear rigs are to be used, attach as explained under "Setting Up," Page 23.



10392  
**Figure 9—Attaching Quik-Tatch Frame to Tractor**

## DETACHING CULTIVATOR

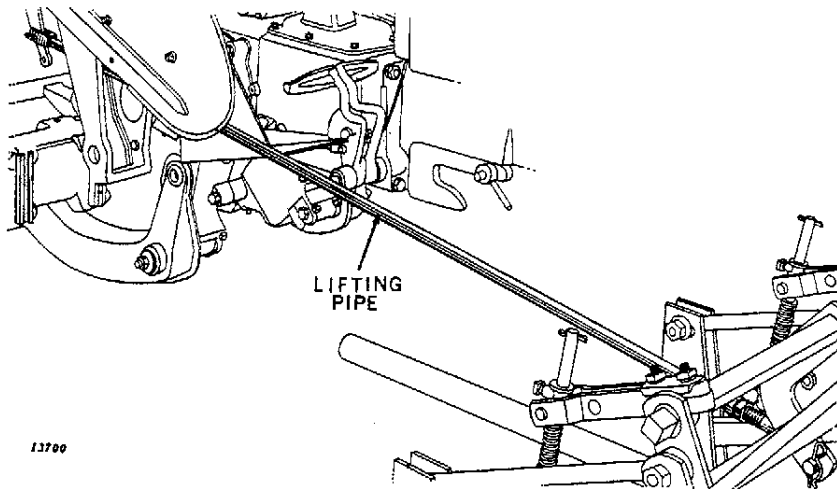


13699  
**Figure 10—Detaching Cultivator with Quik-Tatch Frame**

Lower cultivator so that shovels are resting on fairly level ground. Remove rear rigs by loosening large hexagon nuts on studs on the tractor. Also disconnect rear lift chains from arms on rockshaft.

Remove lifting pipes as shown in Figure 11.

Take nut off bolt "A," Figure 10, on right and left sides of frame.



13700  
**Figure 11—Attaching or Detaching Lifting Rod**

Thank you so much for reading.  
Please click the “Buy Now!”  
button below to download the  
complete manual.



After you pay.

You can download the most  
perfect and complete manual in  
the world immediately.

Our support email:

[ebooklibonline@outlook.com](mailto:ebooklibonline@outlook.com)