

NO. 200 TWO-ROW PULL-TYPE CORN PICKER



JOHN DEERE

OPERATORS MANUAL NO. 200 TWO-ROW PULL-TYPE CORN PICKER

OMN7750 G0 English

OMN7750 G0

LITHO IN THE U.S.A.
ENGLISH



D
C
Y



O
M
N
7
7
5
0
G
0

FOREWORD

The purpose of this manual is to give you useful information on how to best operate your John Deere No. 200 Corn Picker in the many field and crop conditions under which corn is grown.

The way you operate your corn picker and the care you give it have much to do with the service and satisfaction you will get from it.

Remember that compromises are often necessary if you are to obtain the best over-all results. To illustrate, if clean husking is insisted upon, a little more corn may be shelled. If shelling is to be held to a minimum, a few more ears with husks must be accepted. Always remember, the most important objective is to get the corn out of the field and into the wagon.

This manual has been carefully prepared and illustrated to show you what to do, when to do it, and how to do it. Make it your guide. Study it carefully. Refer to it often. Keep it handy at all times for quick reference. Only by following the instructions it contains can you hope to get the most from your investment.

If you find you need information not covered in this manual, see your John Deere dealer. He has the latest information on how to get the best service from your picker and can give you prompt "know-how" service in the field or in his shop.

Serial Number of this Picker is

Date purchased

You will find the Serial Number stencilled on the outer L.H. side shield just below the L.H. gatherer gear case and stamped on top of main picker pipe support plate next to the R.H. wheel as shown below.

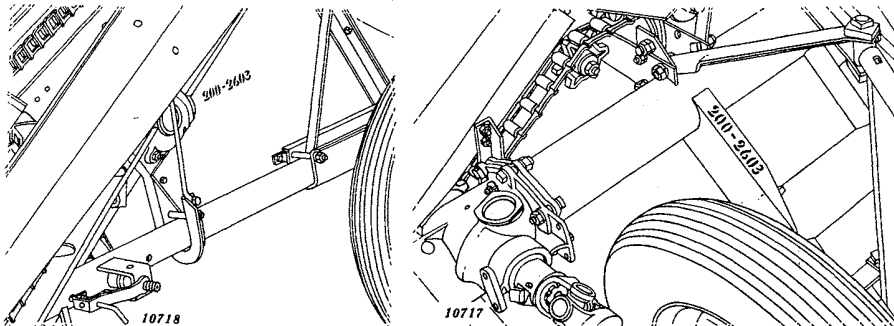


TABLE OF CONTENTS

	<i>Page</i>
HOW THE PICKER WORKS.....	4-5
SPECIFICATIONS AND DATA:.....	6
DESCRIPTION AND CONTROLS.....	7-10
OPERATION	11-17
General Information.....	11
How to Open the Field.....	11
Operating in Contoured Fields.....	11
Proper Time to Pick.....	12
Tractor Speed and Direction of Travel.....	12
Operating Precautions.....	12-13
Safety Precautions.....	13
Transporting Picker.....	14
Hooking up to Tractor.....	15-17
PICKING DIFFICULTIES.....	18-24
OPERATING ADJUSTMENTS.....	25-28
Gatherer Point Height.....	25
Tilting Lever.....	25
Snapping Roll Clearance.....	26
Trash Roll Tension.....	26
Fan Blast.....	27
Wagon Hitch.....	27-28
LUBRICATION.....	29-35
SERVICE AT THE BEGINNING AND END OF THE SEASON.....	36-37
SERVICE.....	38-47
Gatherers.....	38-39
Snapping Rolls.....	40-41
Husking Rolls.....	41-42
Husk Augers.....	42
Wagon Elevator.....	43
Tilting Rack.....	43
Fan.....	44
Chains.....	44-45
Slip Clutches.....	46
Rubber Tires.....	47
SPECIAL EQUIPMENT.....	48-57
Powr-Trol Adapting Parts.....	48-51
Trash Knives for Snapping Rolls.....	52-53
Spiral Strips for Snapping Rolls.....	53
Husking Roll Covers.....	54
Wagon Tongue Hinge.....	55-56
Wagon Stub Tongue.....	56
Wagon Box Steel Flareboards.....	56
Short Wagon Hitch Pipe.....	57
SETTING UP.....	58-64
PARTS LIST AND ILLUSTRATIONS.....	65-126
NUMERICAL INDEX.....	127-134

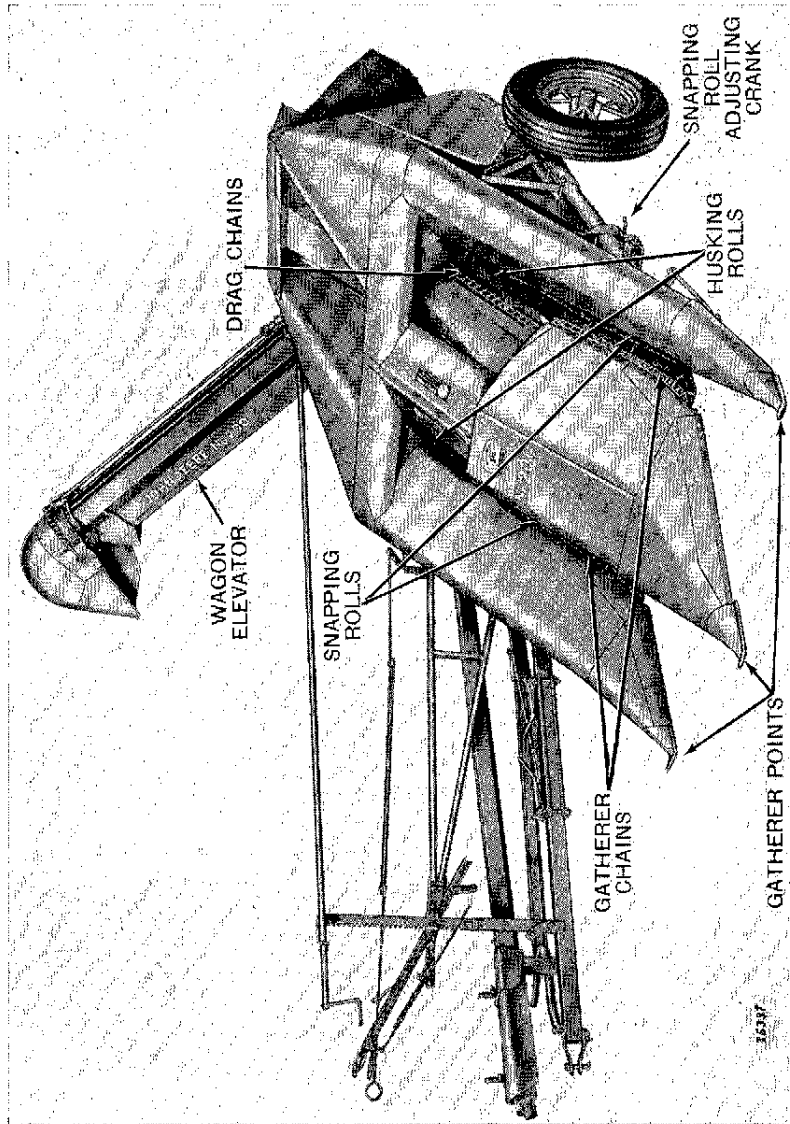


Figure 1—John Deere No. 200 Corn Picker

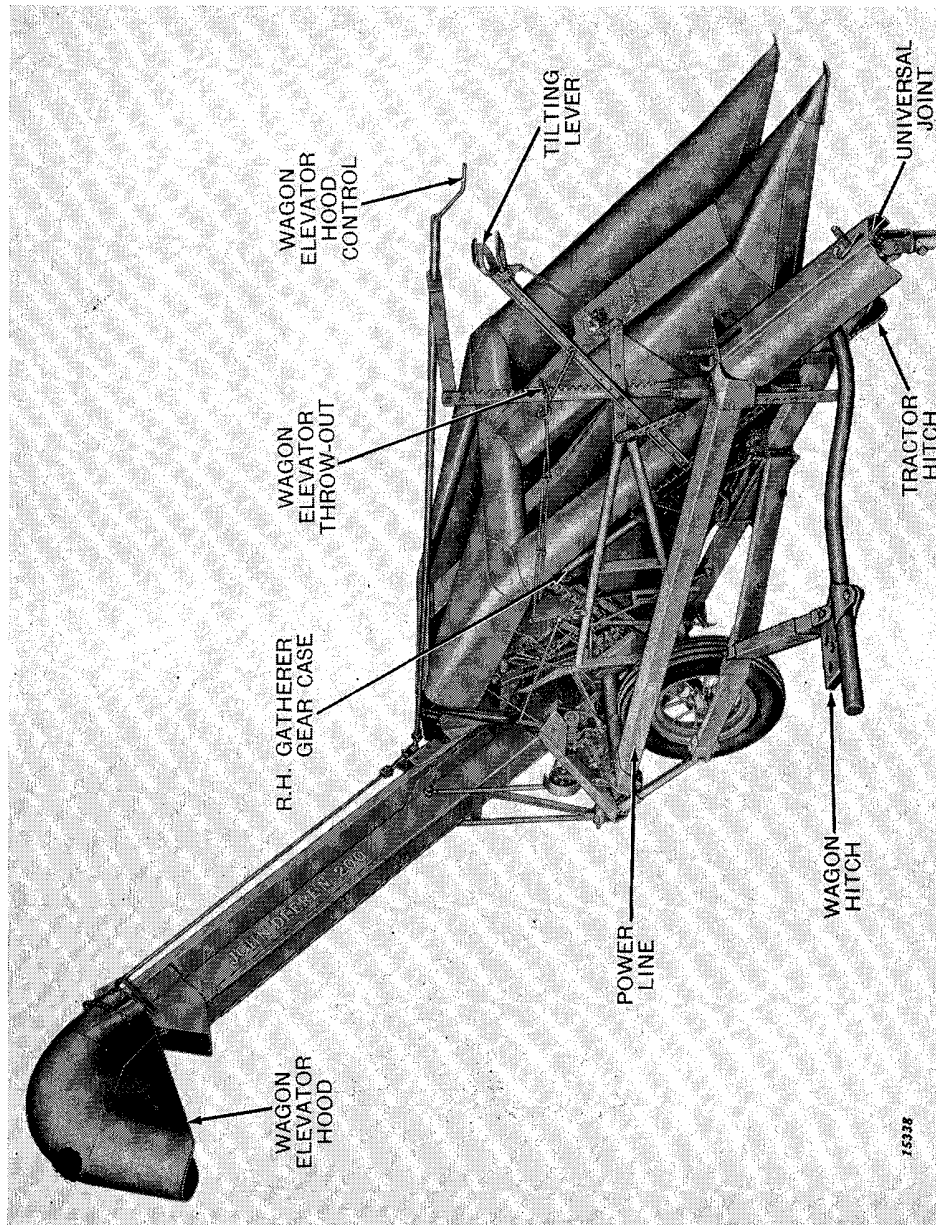


Figure 2—Complete View of John Deere No. 200 Corn Picker

Thank you so much for reading.
Please click the “Buy Now!”
button below to download the
complete manual.



After you pay.

You can download the most
perfect and complete manual in
the world immediately.

Our support email:

ebooklibonline@outlook.com