

900 Chisel Plow



JOHN DEERE

OPERATORS MANUAL

900
Chisel Plow

OMN97683 Issue I5 English

OMN97683 Issue I5

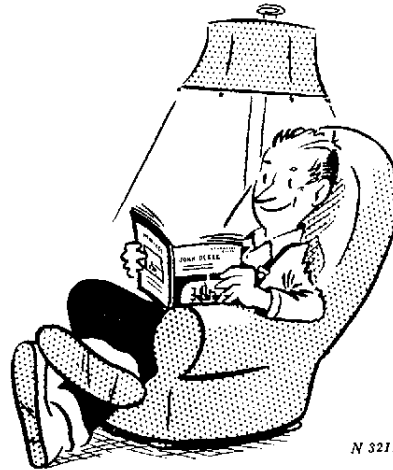
LITHO IN U.S.A.
ENGLISH



TO THE PURCHASER

This Operator's Manual contains information regarding installation, operation, and adjustments so that you may obtain maximum service and satisfaction from your new 900 Series Chisel Plow.

STUDY THIS MANUAL CAREFULLY AND KEEP IT IN A SAFE PLACE FOR FUTURE REFERENCE.



If you find that you require information not covered in this manual, consult your John Deere dealer. He will be glad to answer any question that may arise regarding the operation of your chisel plow. Your John Deere dealer has trained mechanics who are kept informed on the best service methods and will render you prompt service if needed.

Occasionally, you may need new parts to replace worn parts. If you will furnish your dealer the description and the information which should be recorded at the bottom of this page when the chisel plow is delivered, he can give you prompt and efficient parts service.

**JOHN DEERE 900 SERIES
CHISEL PLOW**

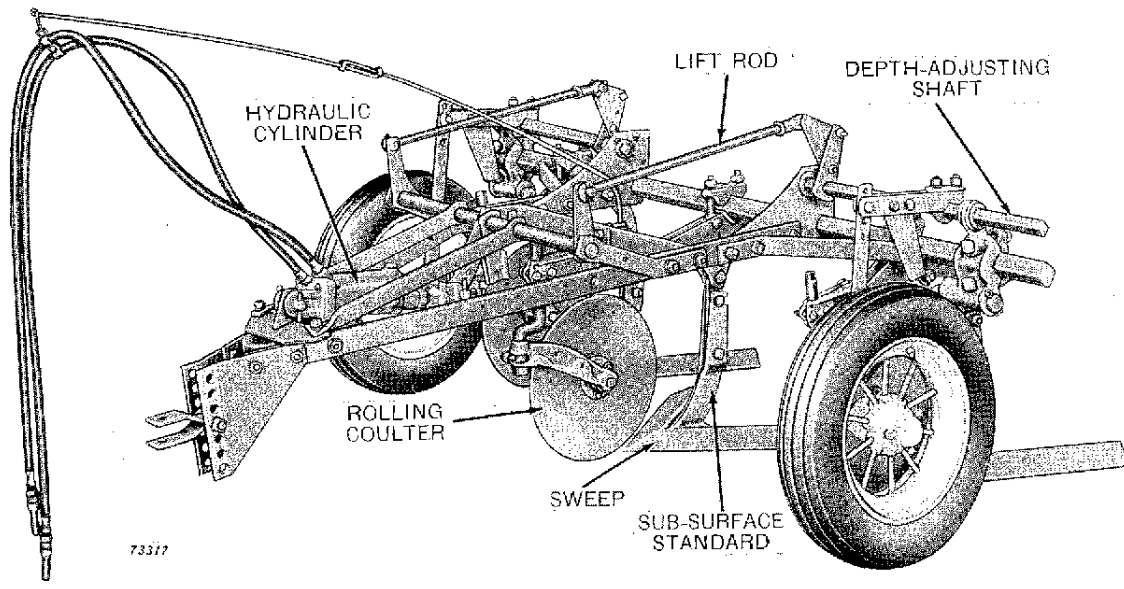
No. of Chisel Plow.....

Date of Purchase..... 19.....

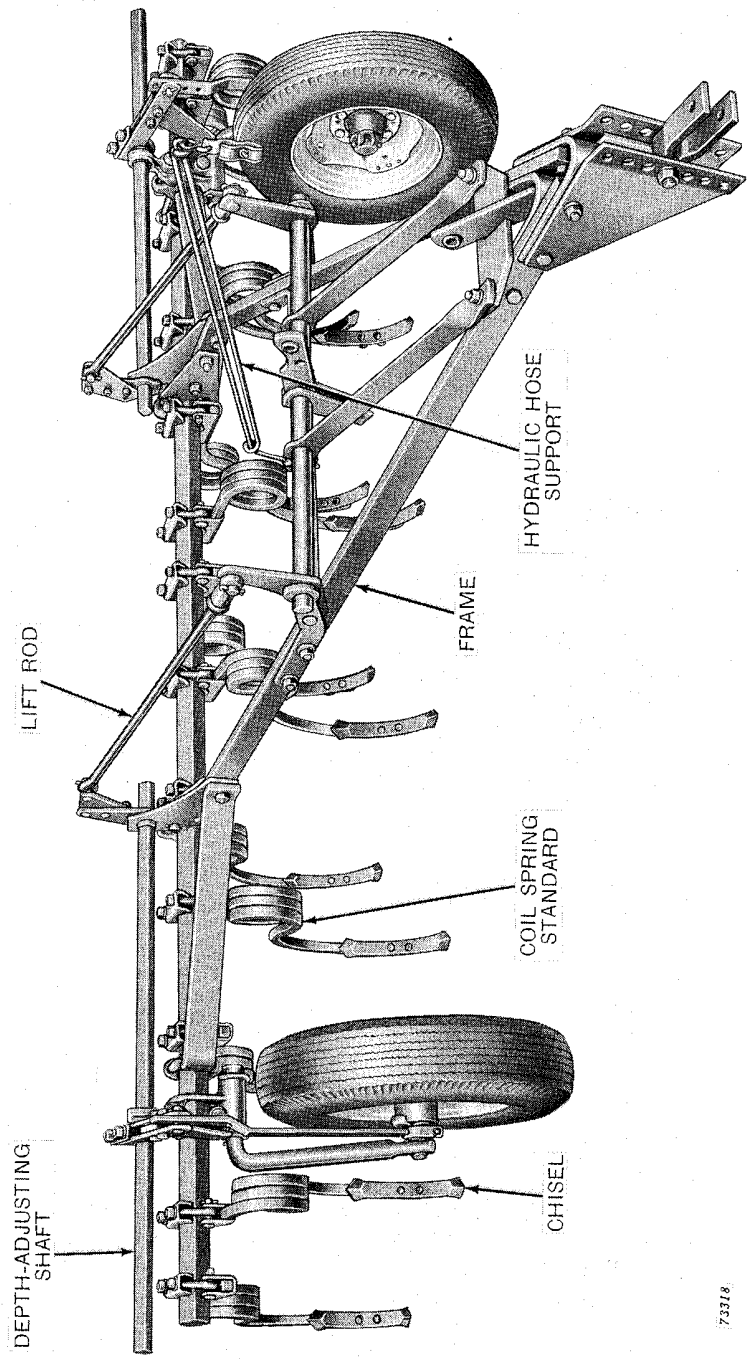
(To be filled in by Purchaser)

CONTENTS

	<i>Page</i>
SPECIFICATIONS.....	4-5
OPERATION AND ADJUSTMENT.....	6-10
Depth Adjustment.....	6
Hydraulic Lift Chisel Plows.....	7-8
Hand Lift Chisel Plows.....	8
Power Lift Chisel Plows.....	8-9
Safety Suggestions.....	10
Transporting.....	10
MAINTENANCE SUGGESTIONS.....	11
STANDARDS AND TOOL EQUIPMENT.....	12-16
EXTRA EQUIPMENT.....	17
ASSEMBLY.....	19-64
Shipping Bundles.....	19-21
901 Chisel Plow.....	22-27
901H Chisel Plow.....	28-33
921 Chisel Plow.....	34-40
951 Chisel Plow.....	41-46
951H Chisel Plow.....	47-52
971 Chisel Plow.....	53-60
Twisted Shovels.....	60
Standards and Wheel Spacing.....	61-63
Warning Lamp Socket and Reflectors.....	64



John Deere 901H, 8-Foot Hydraulic Lift Chisel Plow



73318

John Deere 951H, 12-Foot Hydraulic Lift Chisel Plow

SPECIFICATIONS

901 — 8-Foot Chisel Plow—Hand Lift
 901H— 8-Foot Chisel Plow—Hydraulic Lift
 921 — 8-Foot Chisel Plow—Power Lift
 951 —12-Foot Chisel Plow—Hand-Lift
 951H—12-Foot Chisel Plow—Hydraulic Lift
 971 —12-Foot Chisel Plow—Power Lift

Attachments for 901, 901H, and 921 Chisel Plows

TB201—3 Sub-Surface Sweep Standards (YA858N, 30-Inch Sweeps)
 TB203—7 Coil Spring Standards, 1-Inch (Y850AN, 11-Inch Chisels)
 TB204—9 Coil Spring Standards, 1-Inch (Y850AN, 11-Inch Chisels)
 TB206—11 Coil Spring Standards, 1-Inch (Y850AN, 11-Inch Chisels)

Attachments for 951, 951H, and 971 Chisel Plows

TB202—5 Sub-Surface Sweep Standards (YA858N, 30-Inch Sweeps)
 TB205—9 Coil Spring Standards, 1-Inch (Y850AN, 11-Inch Chisels)
 TB208—13 Coil Spring Standards, 1-Inch (Y850AN, 11-Inch Chisels)
 TB209—15 Coil Spring Standards, 1-Inch (Y850AN, 11-Inch Chisels)
 TB210—2 Gauge Wheels (Used with TB202 and TE112 Attachment)
 TE64 —13 Coil Spring Standards, 1-1/4-Inch (Y938N, 11-Inch Heavy-Duty Chisels)
 TE65 —7 Stiff Standards (Y916N, 14-Inch Chisels)
 TE112—5 Sub-Surface Sweep Standards, Heavy-Duty (YA905N, 30-Inch Sweeps)

Tool Bars

901, 901H, and 921—96 x 2 x 2-Inch Solid Bar
 951, 951H, and 971—144 x 2-1/4 x 2-1/4-Inch Solid Bar

Axles

901, 901H, 951, and 951H—1-3/4-Inch Round
 921 and 971—1-3/8-Inch Round Stub Axle

Wheels

901, 901H, 921, and 971—Steel Spoke-Type, 26-Inch Diameter with 4-Inch Tire (Regular)
 Rubber-Tired Spoke Wheels with 5.90 x 15 Tires and Wheels for Rubber Tires but without Tires and Tubes (Optional)
 951 and 951H—Disk Wheels for 6.70 x 15 Tires but without Tires and Tubes (Regular)
 Disk Wheels with 6.70 x 15 Tires (Optional)

Lift Mechanism

901 and 951—Hand Lift

921 and 971—Power Lift; Equipped with Two Lifting Clutches

901H and 951H—Hydraulic Lift

Remote Hydraulic Cylinder Requirements

901H and 951H Hydraulic Lift Chisel Plows are Designed for 8-Inch Stroke Remote Hydraulic Cylinders Only

Standards

Sub-Surface Sweep Standard with Friction-Trip for 30-Inch Sweeps

Coil Spring Standards, 1 x 1-Inch, for Sweeps and Chisels

Coil Spring Standards, 1-1/4 x 1-1/4-Inch, Heavy-Duty for Sweeps and Chisels

Stiff Standards, 1-1/4 x 2-1/4-Inch, for Sweeps and Chisels

Gauge Wheels

2 Auxiliary Gauge Wheels Are Required on 951, 951H, and 971 Chisel Plows when Sub-Surface Standards or Planting Attachments Are Used

Extra Equipment

17- and 18-Inch Rolling Coulters, for Use with Sub-Surface Standards
Safety Release Hitch

Screw Jack, for Hydraulic Lift Chisel Plows (In Lieu of Remote Hydraulic Cylinder)

Chisel Adapting Brackets—for Sub-Surface Standards

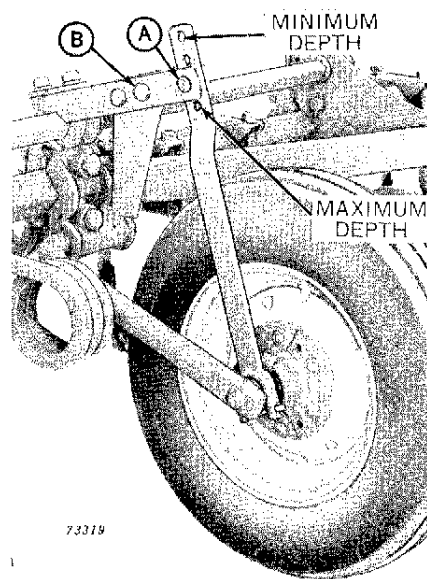
(Specifications and design subject to change without notice.)

OPERATION AND ADJUSTMENT

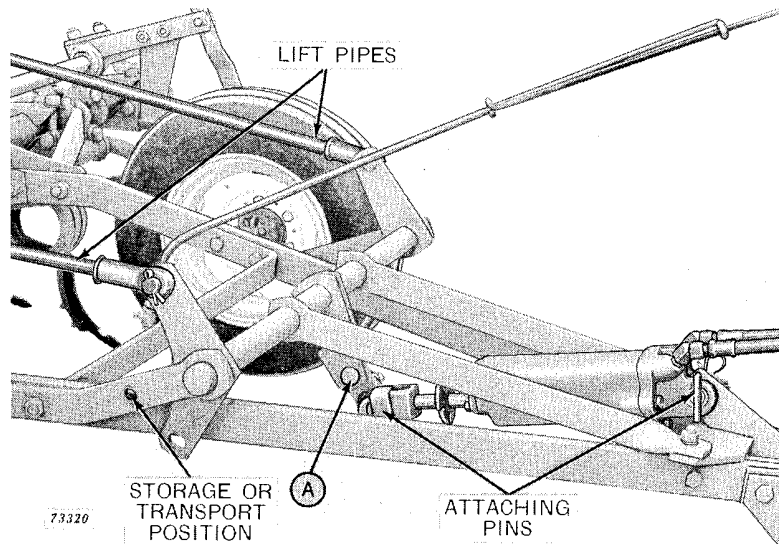
The 900 Series Chisel Plow, when properly adjusted, meets the requirements of practically all field cultivating jobs. This machine is ideal for sub-surface cultivation and summer-fallow work.

DEPTH ADJUSTMENT

The working depth of the chisel plow is regulated by the hydraulic cylinder on the hydraulic lift chisel plow and lift levers on power lift and hand lift chisel plows. The lift bars have a series of holes which provide for maximum to minimum depth settings. Use the bottom hole for the maximum depth of operation or the top hole for the minimum depth of operation. By using the proper hole, depending upon the depth of operation, the levers of a power lift or hand-lift machine will be at the center of the ratchet when the chisel plow is at work. The lift bar should be attached to the lift arm at "A" on hydraulic lift machines and at "B" for the hand lift machines. Axle stops are not provided on hand-lift chisel plows, thus allowing the use of hole "B" for the hand lift machines. With these adjustments, the chisel plow can be set for any desired working depth for the wide variety of equipment available.



HYDRAULIC LIFT CHISEL PLOW



The depth of the hydraulic lift machine is accurately controlled by the operator from the tractor seat by means of the tractor hydraulic system. For operation of the hydraulic system, see your tractor operator's manual. In order that both sides of the chisel plow will operate at an even depth, a threaded adjustment is provided on each lift rod.

INSTALLING HYDRAULIC CYLINDER.

To place the chisel plow in operation, install the cylinder with two attaching pins. Operate the cylinder so the pin can be removed from storage or transport position, and placed in the rockshaft arm as shown at "A." The oil lines regularly furnished with the tractor remote cylinder are long enough to permit installation of the cylinder on the chisel plow.

TRANSPORTING.

Raise the chisel plow to the highest position with the hydraulic cylinder control lever when transporting from one field to another. See "Safety Suggestions" on page 10.

Thank you so much for reading.
Please click the “Buy Now!”
button below to download the
complete manual.



After you pay.

You can download the most
perfect and complete manual in
the world immediately.

Our support email:

ebooklibonline@outlook.com