



# 205 CORN ATTACHMENT



JOHN DEERE

## OPERATORS MANUAL 205 CORN ATTACHMENT

OMN97706 J4 English

OMN97706 J4

LITHO IN THE U.S.A.  
ENGLISH



## TO THE PURCHASER

This manual contains useful information on how to operate your new John Deere 205 Corn Attachment.

A corn attachment must be built to handle a wide range of conditions. Average conditions can be handled by the 205 Corn Attachment with regular equipment. Unusual conditions can be handled by installing special equipment.

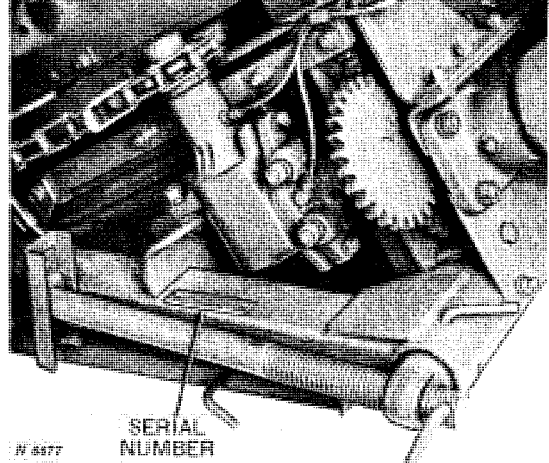
Field conditions vary from year to year, from day to day, and even from hour to hour. Different varieties of corn present widely different picking problems. A careful study of adjustments on your corn attachment and what they accomplish under varying conditions will allow you to reap many benefits and economies that a corn attachment can provide.

Your new corn attachment will do quality work in direct proportion to the care you use in operating it. Operate and service the attachment according to the instructions in this manual.

If you need information not covered in this manual, see your John Deere dealer. He has the latest information on how to get the best service from your corn attachment and can give you prompt service in the field or in his shop.

When in need of parts, go to your John Deere dealer. He carries genuine John Deere parts for your 205 Corn Attachment.

Be prepared to give him the serial number of your corn attachment and the year purchased. This information should be recorded below on this page as soon as you have received your corn attachment.



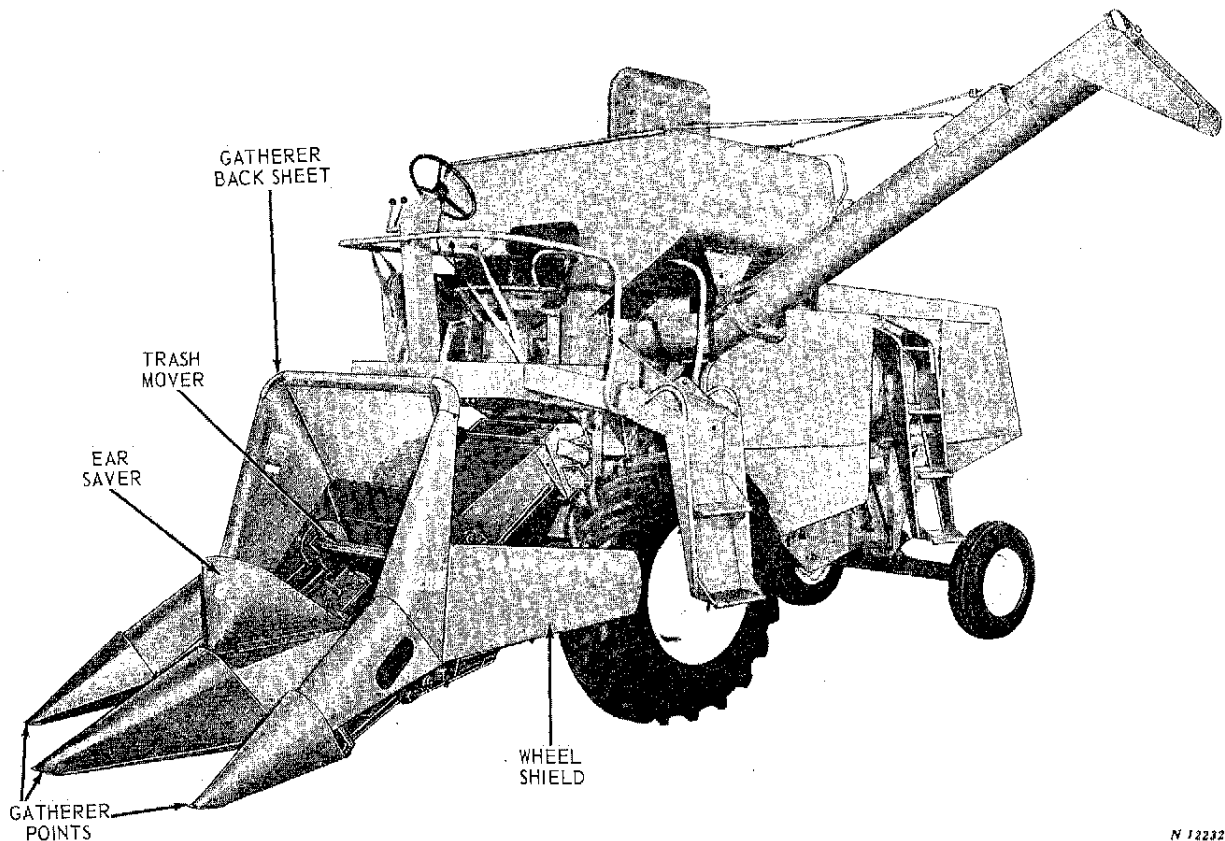
Serial Number.....

Date Purchased.....

You will find the serial number plate on the left-hand main frame as illustrated above.

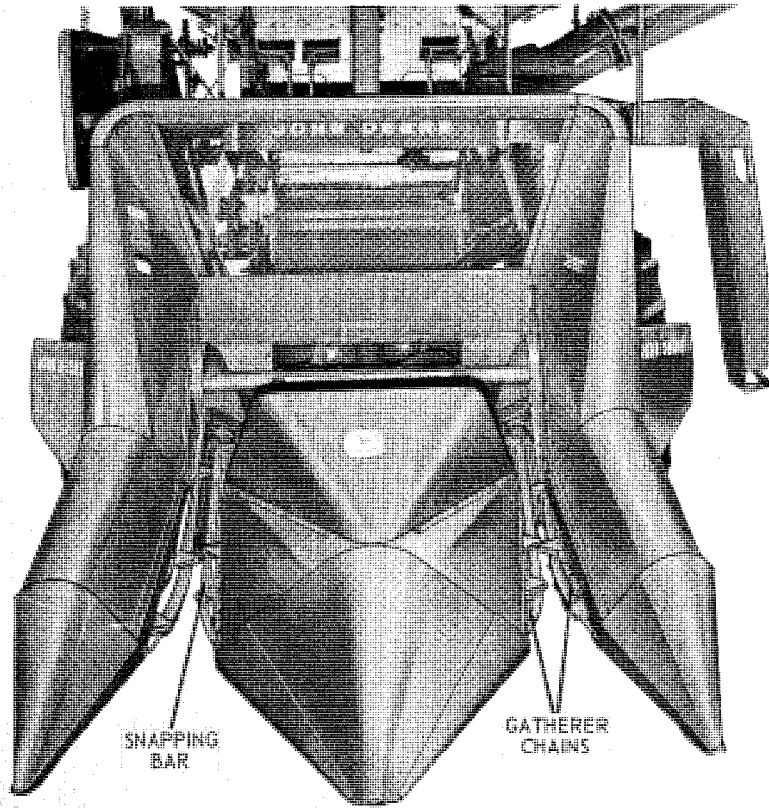
## CONTENTS

	<i>Page</i>		<i>Page</i>
<b>SPECIFICATIONS</b> .....	2	Combine Beater Speed.....	16
<b>OPERATION</b> .....	3-16	Suggested Combine Settings for Combining Corn.....	16
General Instructions.....	3-4	Special Equipment.....	16
Field Losses.....	4	<b>LUBRICATION</b> .....	17-19
Wheel Shields.....	4	<b>TROUBLE SHOOTING</b> .....	20-23
Gatherers.....	5-7	<b>SERVICE</b> .....	24-25
Gatherer Points.....	5	<b>REMOVING CORN ATTACHMENT</b> ....	26-29
Ear Saver.....	5	Preparing for Storage.....	26
Gatherer Chains.....	6-7	Removing from Combine.....	26
Stalk Rolls.....	8	Preparing 40 or 42 Combine for Small Grain	27
Stalk Roll Remote Control.....	8	Preparing 45 Combine for Small Grain....	28-29
Timing Stalk Rolls.....	9	<b>INSTALLING CORN ATTACHMENT</b> ... 29-41	
Trash Knives.....	9	Preparing Attachment for Use.....	29
Deck Plate and Snapping Bar.....	10	Preparing 40 or 42 Combine for Corn.....	30-32
Conveyor Augers and Trash Mover.....	11	Preparing 45 Combine for Corn.....	33-40
Roller Chains.....	12	Mounting Corn Attachment on Combine.	41
Slip Clutch.....	12	<b>ASSEMBLY</b> .....	42-48
Safety Suggestions.....	13		
Safety Stand.....	13		
Concave-to-Cylinder Spacing.....	14		
Combine Cylinder Speeds and Sprockets..	15		



N 12232

*John Deere 205 Corn Attachment on 45 Self-Propelled Combine*



N 12233

*John Deere 205 Corn Attachment on 40 Self-Propelled Combine*

## SPECIFICATIONS

Number of rows.....	2	Conveyor from gatherers to combine cylinder.....	Augers
Center-to-center distance between snapping units.....	39 inches	Over-all width (storage).....	5 feet 4-1/2 inches
Row widths handled.....	38 to 42 inches	Over-all width with wheel shields	8 feet 6 inches
Gatherer points.....	Hinged above gatherer chains	Over-all length (storage).....	9 feet 2 inches
Number of gatherer chains per snapping unit.....	2	Over-all length including 40 Combine.....	22 feet 10 inches
Type of gatherer chains.....	Steel roller chain	John Deere Combine required..	40, 42, or 45
Minimum clearance between gatherer chains and ground...	0 inch and up	Approximate shipping weight...	1150 lbs.
Distance gatherer chains ahead of fluted stalk rolls.....	8 inches		
Length of fluted stalk rolls.....	27-1/2 inches		
Fluted stalk roll adjustment....	Adjusting nut		
Snapping bar adjustment.....	Adjusting slots		

### SPECIAL EQUIPMENT

Drive Chain Shields  
 Auger Housing Divider  
 Stalk Roll Remote Control Lever  
 Wheel Shield for John Deere 42 Combine  
 Platform Guard for 40 Combine

*(Specifications and design subject to change without notice.)*

## OPERATION

### PROPER INSTALLATION

Be sure the corn attachment is properly installed on the combine. Improper installation can cause inferior work and damage to the corn attachment and combine. After corn attachment is completely installed, check over the entire machine, being sure shields, sprockets, chains, and all other parts are properly attached, and adjustments made as illustrated. Be sure all nuts, pins, and keys are tight and cotter pins are spread.

### BEFORE OPERATION

Before putting the corn attachment in the field for the first time, lubricate it thoroughly and operate at slow speed for ten minutes, making sure that all parts are working freely. If there is no binding or heating, run at fast idle speed for approximately five minutes, if this has not already been done by the dealer. Next, go over the entire machine to be sure that all bolts are tight, and that lubricant is reaching all bearings. Be sure to check the tension of all chains.

### IN THE FIELD

Take pride in doing the best work possible under all conditions. Follow the rows carefully; set gatherer points and tilt machine to pick up the down and leaning stalks; set stalk rolls so corn is not mutilated or shelled excessively; and adjust for damp or dry corn. Adjustments are provided on the machine to meet these conditions.

### ADJUST MACHINE PROPERLY

Successful operation, quality of work, and length of life of the corn attachment depend greatly upon adjusting the corn attachment and combine to meet your specific field conditions, and on proper lubrication.

After several rounds, check the adjustments to be sure you are getting the best possible sample of corn in the grain tank.

### HARVEST EARLY

Early harvesting, before corn gets too dry, is one way to keep field losses low. Agricultural engineers suggest that when early maturing corn reaches 26 to 27 percent moisture, farmers with dryers can start harvesting. If you're set up to store high moisture corn, harvesting can start when corn is at 30 percent moisture.

If you plan to sell or store shelled corn, moisture should not exceed 12-1/2 percent. Corn having more than 12-1/2 percent moisture will spoil in storage.

### DRIVE CAREFULLY

The combine should travel in the same direction that the field was last cultivated.

Listen for slipping clutches and watch for deep furrows, rocks, or other obstructions which the gatherer points may strike.

Drive the combine carefully so the corn attachment will stay on the rows. Raise the corn attachment when crossing the end of the field.

If the unit begins to plug, do not slow down the combine engine. Keep the engine at operating speed and decrease the ground speed with the variable speed control or by disengaging the foot clutch until the unit has cleared itself.

**Do not use a cornstalk or stick to clean stalk rolls of an ear or trash while corn attachment is operating. If for any reason the corn attachment should become clogged, stop the combine engine and then remove obstacle. Keep hands completely away from stalk rolls while machine is in motion.**

Never clean, lubricate, or adjust corn attachment or combine while either is in motion.

Be sure to stop the combine engine before making any adjustments.

Thank you so much for reading.  
Please click the “Buy Now!”  
button below to download the  
complete manual.



After you pay.

You can download the most  
perfect and complete manual in  
the world immediately.

Our support email:

[ebooklibonline@outlook.com](mailto:ebooklibonline@outlook.com)