

**JOHN DEERE**  
**WORLDWIDE COMMERCIAL & CONSUMER**  
**EQUIPMENT DIVISION**

---

**Powerhead - PA01182**

**CS36 12" - UT10912**

**CS36 14" - UT10913**

**CS36 16" - UT10914**

**CS36 18" - UT10915**

**Powerhead - PA01183**

**CS40 12" - UT10922**

**CS40 14" - UT10916**

**CS40 16" - UT10917**

**CS40 18" - UT10918**

**Chain Saws**

---

**OPERATOR'S MANUAL**



**JOHN DEERE**

**OM PS04118 K3**

## INTRODUCTION

---

### **Thank You for Purchasing a John Deere Product**

We appreciate having you as a customer and wish you many years of safe and satisfied use of your machine.

Record your Identification numbers below. Be sure you have Serial Number and Unit (UT) Number, your dealer will need these when you order parts.

### **The Operator's Manual**

Your operator's manual is for your protection. READ IT. Keep it handy for reference. Know what you are doing before you begin assembly of the unit. Proper preparation and upkeep go hand-in-hand with satisfactory performance of the saw and safety.

This manual should be considered a permanent part of your machine and should remain with the machine if you sell it.

UT Number \_\_\_\_\_

Model \_\_\_\_\_

Serial Number \_\_\_\_\_



### **WARNING**

The engine exhaust from this product contains chemicals known to the State of California to cause cancer, birth defects or other reproductive harm.

CALIFORNIA PROPOSITION 65

All information, illustrations and specifications in this manual may vary according to Country requirements and are subject to change without notice by the manufacturer.

All information, illustrations and specifications in this manual are based on the latest information at the time of publication. The right is reserved to make changes at any time without notice.

©2000 Deere & Co.

---

## TABLE OF CONTENTS

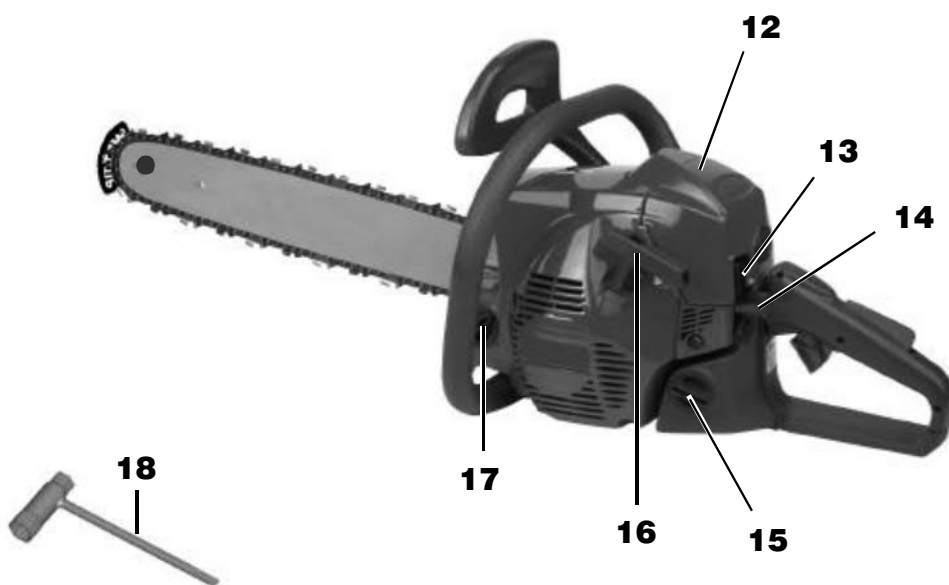
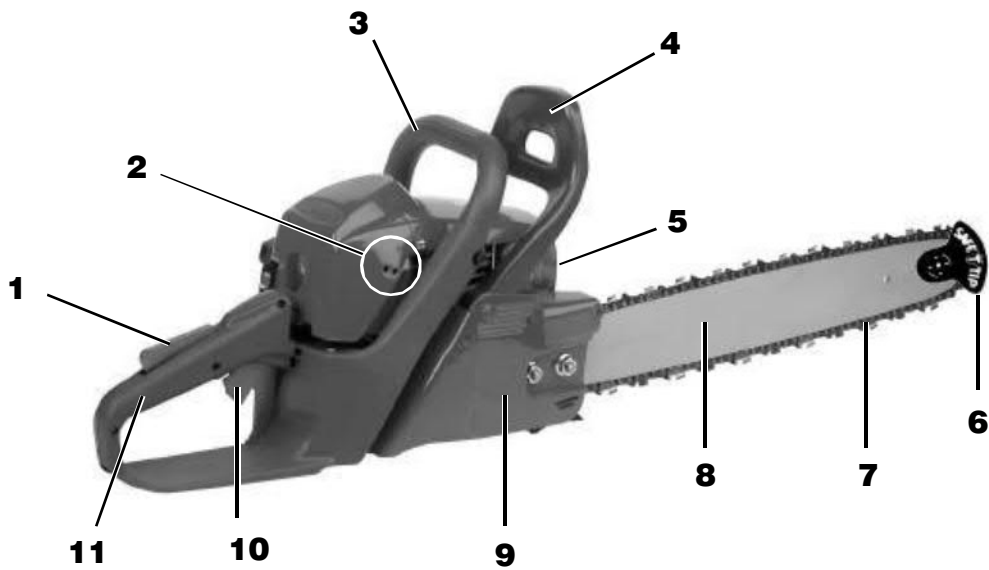
---

<b>Product Identification</b>	
Chain Saw Components .....	4
<b>Safety</b>	
Understanding Safety Labels .....	5
State and Local Requirements .....	5
Precautions Against Kickback .....	6
Basic Safety Precautions .....	6
Understanding Your Chain Saw Safety Devices .....	8
<b>Assembly</b>	
Assembling the Bar and Chain .....	9
<b>Operation</b>	
Chain Tension .....	11
Breaking-in the Chain .....	11
Bucking Spike .....	11
Fueling .....	12
Chain Oil System .....	12
Starting the Engine .....	13
Breaking-in the Engine .....	13
Stopping the Engine .....	13
Carburetor Adjustment .....	13
Chain Brake Operation .....	14
Preparation for Cutting .....	15
Tree Felling .....	16
Bucking .....	17
Limbing and Pruning .....	18
<b>Maintenance</b>	
Maintenance Chart .....	19
Chain Maintenance .....	20
Guide Bar Maintenance .....	21
Installing the Safe-T-Tip® Nose Guard .....	22
Fuel Filter .....	22
Air Filter .....	22
Starter Unit .....	22
Engine .....	22
Spark Plug .....	23
Spark Arresting Muffler .....	23
Chain Brake .....	23
<b>Bar and Chain Combinations</b>	
Recommended Bar and Chain Combinations .....	23
<b>Troubleshooting</b>	
Using Troubleshooting Chart .....	24
<b>Storage</b>	
Storing Chain Saw (1 month or longer) .....	25
<b>Technical Data</b>	
CS36 .....	25
CS40 .....	25
<b>Warranty</b>	
Limited Warranty .....	26
Federal Emissions Warranty .....	27

# PRODUCT IDENTIFICATION

## Chain Saw Components

- |                                    |                         |
|------------------------------------|-------------------------|
| 1 - Throttle Trigger Lockout       | 10 - Throttle Trigger   |
| 2 - Carburetor Adjustment Screws   | 11 - Rear Handle        |
| 3 - Front Handle                   | 12 - Air Filter Cover   |
| 4 - Chain Brake Lever / Hand Guard | 13 - Ignition Switch    |
| 5 - Muffler                        | 14 - Choke Lever        |
| 6 - Safe-T-Tip®                    | 15 - Fuel Tank Cap      |
| 7 - Chain                          | 16 - Starter Handle     |
| 8 - Guide Bar                      | 17 - Oil Tank Cap       |
| 9 - Clutch Cover                   | 18 - Combination Wrench |



# SAFETY

## Understanding Safety Labels



This symbol indicates Warning, Danger, and Caution.



The SAFE-T-TIP® Nose Guard on your bar nose prevents kickback.



DANGER! Beware of Kickback.



Avoid bar nose contact.



Hold saw properly with both hands.



Wear eye, hearing and head protection when operating this equipment.



Your manual contains special messages to bring attention to potential safety concerns, machine damage as well as helpful operating and servicing information. Please read all the information carefully to avoid injury and machine damage.



Wear non-slip, heavy-duty protective gloves when handling the chain saw and saw chain.

## State and Local Requirements

Your saw is equipped with a temperature limiting muffler and spark arresting screen which meets the requirements of SAE Recommended Practice J335 and California Codes 4442 and 4443. **All national forest land and land managed by the states of California, Maine, Washington, and Oregon require internal combustion engines to be equipped with a spark arrester screen by law. Other states and federal agencies are enacting similar regulations.**

If you operate a chain saw in a state or locale where such regulations exist, you are legally responsible for maintaining the operating condition of these parts. Failure to do so is a violation of a law. **Spark arrester maintenance is described in the Maintenance-Spark Arresting Muffler Section of the manual.**

### WARNING

**Muffler surfaces are very hot during and after operation of the chain saw, keep all body parts away from the muffler. Serious burns may occur if contact is made with the muffler.**

### WARNING

**Exposure to vibrations through prolonged use of gasoline powered hand tools could cause blood vessel or nerve damage in the fingers, hands, and wrists of people prone to circulation disorders or abnormal swellings. Prolonged use in cold weather has been linked to blood vessel damage in otherwise healthy people. If symptoms occur such as numbness, pain, loss of strength, change in skin color or texture, or loss of feeling in the fingers, hands, or wrists, discontinue the use of this tool and seek medical attention.**

Thank you so much for reading.  
Please click the “Buy Now!”  
button below to download the  
complete manual.



After you pay.

You can download the most  
perfect and complete manual in  
the world immediately.

Our support email:

[ebooklibonline@outlook.com](mailto:ebooklibonline@outlook.com)