

# 4010 Hi-Crop Tractor



JOHN DEERE

## OPERATORS MANUAL

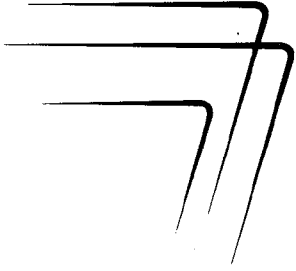
4010  
Hi-Crop Tractor

OMR28880 I0 English

OMR28880 I0

LITHO IN U.S.A.  
ENGLISH





*a*  
**NEW**  
**GENERATION**  
*of power*

Your new John Deere Hi-Crop Tractor is an entirely new concept of farm power. Developed through years of design and test, built to the traditionally high standards of John Deere, this tractor meets the exacting requirements of farming involving tall, bushy, or bedded crops.

New operating ease and comfort, hydraulic power when and where you need it, the ability to match engine power and transmission speed to any job, outstanding economy and dependability, modern styling, and simplicity of lubrication and service are all in this great new tractor.

We are confident this modern tractor, combined with equally advanced John Deere tools and implements, will help you to farm better, easier, and more profitably.

At the time the tractor was delivered, the John Deere dealer discussed with you its safe operation and proper care. However, before putting the tractor to work, read this manual which explains the special features of your new Hi-Crop Tractor. The instructions in it cover only those areas in which the Hi-Crop Tractor and Row-Crop and Standard Tractors differ. Therefore, also read the accompanying operator's manual on the 4010 Row-Crop and Standard Tractors (gasoline, LP-Gas, or diesel) before operating the tractor. After reading the manuals, keep them in a convenient place for quick and easy reference if questions arise concerning operation, lubrication, or service.

The service policy which you received with your new tractor certifies that the tractor was properly inspected and prepared for delivery by your John Deere dealer. Keep this policy in a safe place and present it to the dealer whenever services which it authorizes are required.

Your John Deere dealer wants to help you get the most value from your new tractor. His skilled servicemen can handle every job efficiently. These men are trained in modern service methods; they have all necessary tools and equipment. If new parts are needed, only genuine John Deere parts will be installed. These parts are exact duplicates of the originals, made from the same patterns and of the same high-quality materials.

When in need of new parts, be prepared to furnish the tractor serial number and the tractor model number. Record the numbers in the spaces provided on the inside front cover of the accompanying manual.

TIRES, FRONT . . . . . 7.50 x 20, 6-ply

TIRES, REAR:

Flanged axle . . . . . 13.6-38, 6-ply  
 15.5-38, 6-ply  
 14.9-38, 6-ply, C & R  
 15.5-38, 6-ply, C & R  
 Rack-type axle . . . . . 18.4-34, 6-ply  
 18.4-34, 6-ply, C & R

FRONT WHEEL TREAD:

Wheel dished in . . . . . 60 to 84 in.  
 Wheel dished out . . . . . 65-1/4 to 89-1/4 in.

REAR WHEEL TREAD:

13.6-38 tires . . . . . 60 to 98 in.  
 15.5-38 tires . . . . . 64 to 98 in.  
 18.4-34 tires . . . . . 72-1/2 to 90 in.

FINAL DRIVE HOUSING

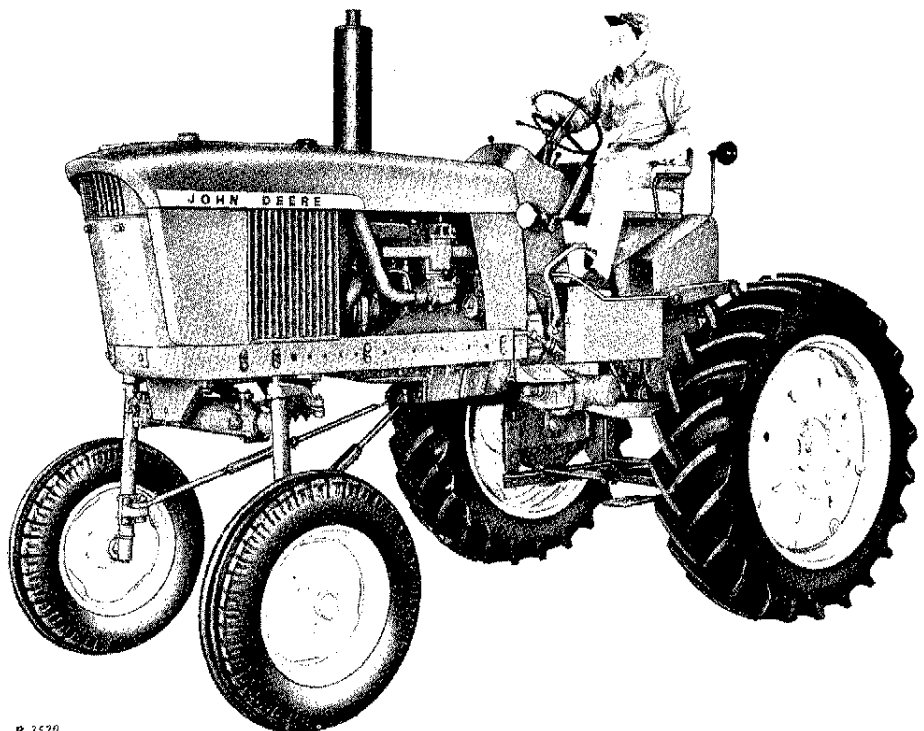
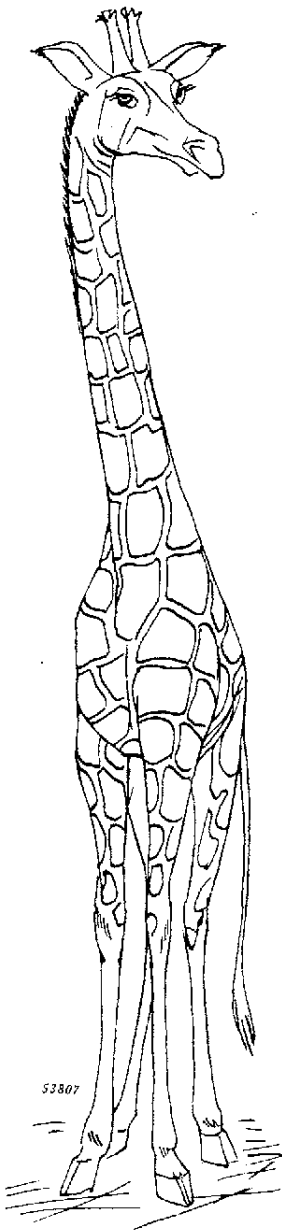
CAPACITY . . . . . 3-1/2 U.S. quarts  
 (1-3/4 each)

DIMENSIONS:

(with 15.5-38 rear tires)

Wheel base . . . . . 99-1/4 in.  
 Over-all length . . . . . 150 in.  
 Over-all width . . . . . 77-1/2 in.  
 Over-all height . . . . . 105 in.  
 Height to steering wheel . . . . . 91-1/2 in.  
 Clearance, front . . . . . 37-1/2 in.  
 Clearance, rear . . . . . 32-1/4 in.  
 Turning radius . . . . . 136 in.  
 Drawbar heights . . . . . 13-1/2 to 33 in.  
 PTO height . . . . . 38-1/2 in.

SHIPPING WEIGHT . . . . . 8,250 lbs.



John Deere 4010 Hi-Crop Gasoline Tractor with radius rods (special equipment)



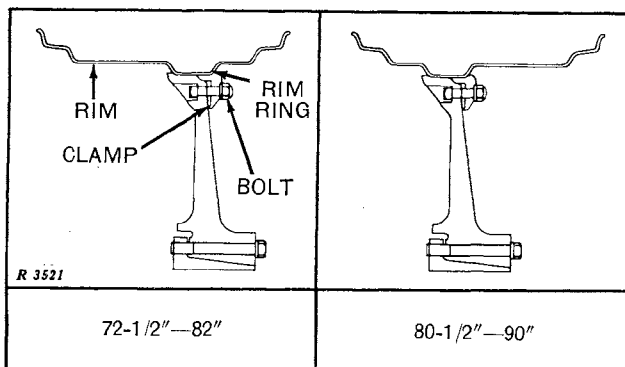
# operation

Most of the instructions for operating the 4010 Hi-Crop Tractor are given in the 4010 Row-Crop and Standard Tractor operator's manual. The following operating instructions pertain to the 4010 Hi-Crop Tractor only. The 4010 Hi-Crop Tractor is designed to provide maximum crop clearance. Because of the additional height, be careful to prevent the tractor from tipping sideways when crossing ditches or making sharp turns, especially when operating on hillsides.

## Rear wheel tread

### Rack-type axle

On a Hi-Crop Tractor with rack type axle (18.4-34 tires), the rear wheel tread may be adjusted from 72-1/2 to 90 inches. The two methods of adjusting tread are by using the rack and pinion and by changing the rim position on the wheel.



Tread chart—  
Hi-Crop Tractor with rack-type axle

The tread chart above shows the tread ranges available by the rack and pinion method for the two rim positions.

For instructions on how to adjust the rear wheel tread, see "Rack and pinion method" and "Changing rim position on wheel" in the 4010 Row-Crop and Standard Tractor operator's manual.

### Flange-type axle

Tread settings ranging from 60 to 98 inches on a Hi-Crop Tractor with a flange-type axle are obtained by four methods—by reversing the hub on the axle, by placing the wheel disk inside or outside of the hub (when the hub is turned inward, the wheel disk can only be placed on the outside of the hub), by putting the wheel disk dish inward or outward, or by changing the position of the tire and rim on the wheel disk. These possibilities are shown in the illustration on page 5.

When changing the tread, note the easiest way to obtain the new tread setting. For example, when the tractor has a tread setting of 64 inches and a new tread setting of 86 inches is desired, there are three ways of obtaining an 86-inch tread. But notice that, by reversing the hub with wheel attached, only one set of bolts will have to be removed. The new position will be with hub turned out, wheel disk inside of hub, the wheel disk dished out, and the rim in the number 3 clamp position.

To change to the new 86-inch position, jack up both rear wheels until there is little or no weight on the tires. Detach the hub (with wheel and tire) from the axle and install the hub and wheel in the new position on the opposite side of the tractor to maintain proper direction of tire rotation.



# contents

<i>specifications</i>	<b>2</b>
<i>operation</i>	<b>4</b>
<i>rear wheel tread</i>	<b>4</b>
<i>front wheel tread</i>	<b>6</b>
<i>tires and ballast</i>	<b>7</b>
<i>3-point hitch</i>	<b>8</b>
<i>drawbar</i>	<b>10</b>
<i>lubrication and periodic service</i>	<b>11</b>

Thank you so much for reading.  
Please click the “Buy Now!”  
button below to download the  
complete manual.



After you pay.

You can download the most  
perfect and complete manual in  
the world immediately.

Our support email:

[ebooklibonline@outlook.com](mailto:ebooklibonline@outlook.com)