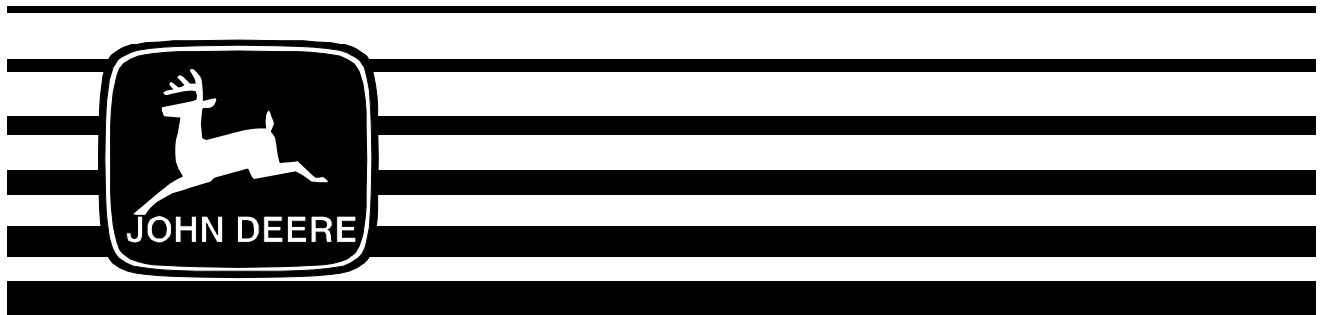


# **F735**

# **Front Mowers**

Serial No. (010001- )



# **OPERATOR'S MANUAL**

**John Deere**  
**Worldwide Commercial And**  
**Consumer Equipment Division**  
**OMTCU12447 I9**

North American  
Litho in U.S.A.

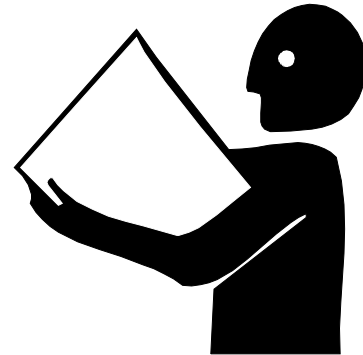
English

# INTRODUCTION

**THANK YOU** for purchasing a John Deere product.

Read this manual and your attachment manuals thoroughly. Failure to do so could result in personal injury or equipment damage.

**Warning:** The Engine Exhaust from this product contains chemicals known to the State of California to cause cancer, birth defects or other reproductive harm.



This manual should be considered a permanent part of your machine and should remain with the machine when you sell it.

Measurements in this manual are metric units and their U.S. customary equivalents. RIGHT-HAND and LEFT-HAND sides are determined by facing in the direction the machine will travel when going forward. When you see a broken line arrow (----->), it indicates the part it is pointing to is hidden.

Record identification numbers below. Be sure to record all the numbers to help in tracing the machine if it is stolen. You also need to give these numbers to your dealer when you order parts.

**DATE OF PURCHASE:**

\_\_\_\_\_

**DEALER NAME:**

\_\_\_\_\_

**DEALER PHONE:**

\_\_\_\_\_

**PRODUCT IDENTIFICATION NUMBER (A):**

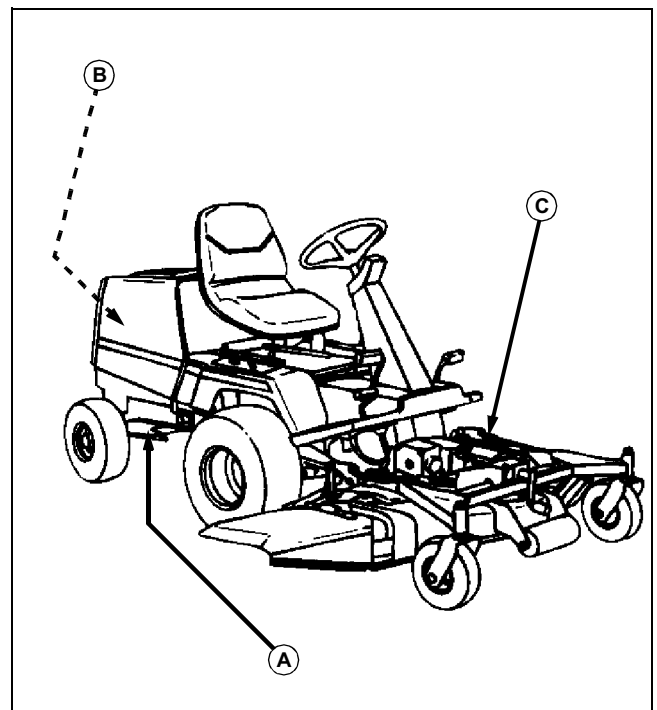
-----

**ENGINE SERIAL NUMBER (B):**

-----

**MOWER DECK SERIAL NUMBER (C):**

-----



---

---

# TABLE OF CONTENTS

---

---

Safety Signs . . . . .	1
Controls . . . . .	4
Operating Machine . . . . .	7
Operating Mower Deck . . . . .	27
Lawn Care . . . . .	40
Replacement Parts . . . . .	42
Service Machine Safely . . . . .	43
Service Interval Chart . . . . .	45
Service - Engine . . . . .	48
Service - Transmission . . . . .	58
Service - Steering And Brakes . . . . .	64
Service - 48 & 54 Inch Mower Deck . . . . .	67
Service - 60 Inch Mower Deck . . . . .	76
Service - Electrical . . . . .	87
Service - Miscellaneous . . . . .	93
Removing 48 & 54 Inch Mower Deck . . . . .	99
Removing 60 Inch Mower Deck . . . . .	102
Installing 48 & 54 Inch Mower Deck . . . . .	104
Installing 60 Inch Mower Deck . . . . .	108
Troubleshooting . . . . .	111
Storing Machine . . . . .	115
Assembly . . . . .	117
Specifications . . . . .	121
Warranty . . . . .	123
Index . . . . .	127
John Deere Service Literature . . . . .	133

All information, illustrations and specifications in this manual are based on the latest information at the time of publication. The right is reserved to make changes at any time without notice.

COPYRIGHT© 1999  
Deere & Co.  
John Deere Worldwide Commercial and  
Consumer Equipment Division  
Horicon, WI  
All rights reserved

OMTCU12447 I9

# SAFETY SIGNS

## Safety-Alert Symbol

Read and recognize safety information. Be alert to the potential for personal injury when you see this safety-alert symbol.

On your machine safety labels, the words DANGER, WARNING, and CAUTION are used with this safety-alert symbol. DANGER identifies the most serious hazards. In this manual, the word CAUTION and this symbol call attention to safety messages.



## Machine Safety Labels

### WARNING

#### Hot Surface

(One on each side (rear) of Front Mower.)



### DANGER

#### ROTATING BLADE

Do not put hands or feet under or into mower when engine is running



# SAFETY SIGNS

## DANGER

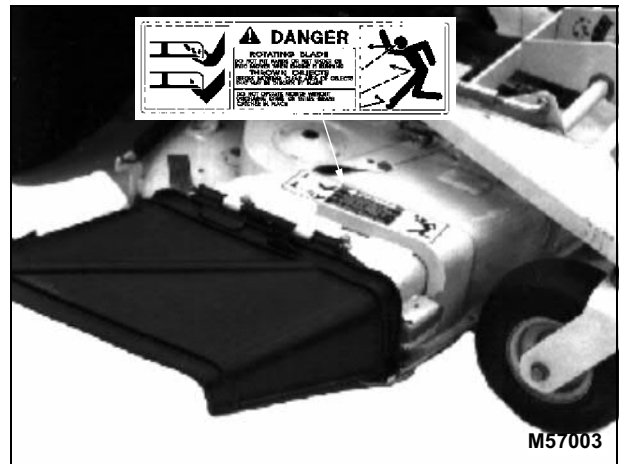
### ROTATING BLADE

DON NOT PUT HANDS OR FEET UNDER OR INTO MOWER WHEN ENGINE IS RUNNING

### THROWN OBJECTS

BEFORE MOWING, CLEAR AREA OF OBJECTS THAT MAY BE THROWN BY BLADE

DO NOT OPERATE MOWER WITHOUT DISCHARGE CHUTE OR ENTIRE GRASS CATCHER IN PLACE



## DANGER

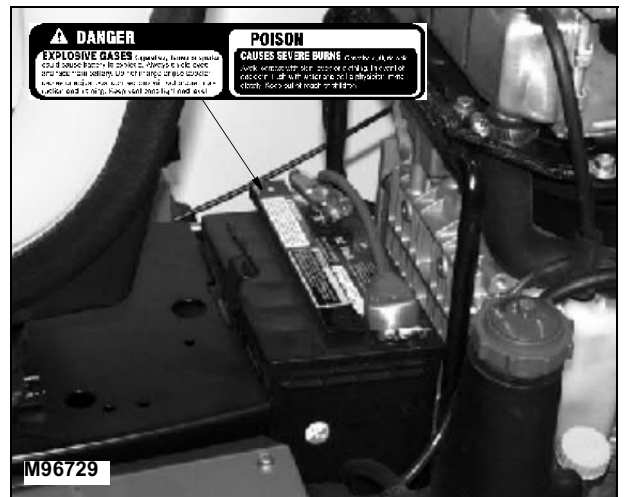
### EXPLOSIVE GASES

Cigarettes, flames or sparks could cause battery to explode.

Always shield eyes and face from battery.

Do not charge or use booster cables or adjust post connections without proper instruction and training.

Keep vent caps tight and level.



## POISON

### CAUSES SEVERE BURNS

Contains sulfuric acid.

Avoid contact with skin, eyes or clothing.

In event of accident, flush with water and call a physician immediately.

Keep out of reach of children.

## Certification

This mower has been certified by an independent laboratory for compliance with American National Standard B-71.4 safety specifications for commercial turf care equipment.

Thank you so much for reading.  
Please click the “Buy Now!”  
button below to download the  
complete manual.



After you pay.

You can download the most  
perfect and complete manual in  
the world immediately.

Our support email:

[ebooklibonline@outlook.com](mailto:ebooklibonline@outlook.com)