

JOHN DEERE
WORLDWIDE COMMERCIAL & CONSUMER
EQUIPMENT DIVISION

Front Mower
1420, 1435, 1445, 1545, 1565

OMTCU17249 J2

OPERATOR'S MANUAL



JOHN DEERE

⚠ WARNING: The Engine Exhaust from this product contains chemicals known to the State of California to cause cancer, birth defects or other reproductive harm.

California Proposition 65 Warning

⚠ WARNING: Diesel engine exhaust and some of its constituents are known to the State of California to cause cancer, birth defects, and other reproductive harm.

California Proposition 65 Warning

North American Version
Litho in U.S.A.

INTRODUCTION

Thank You for Purchasing a John Deere Product

We appreciate your business and wish you many years of safe and satisfied use of your machine.

Using Your Operator's Manual

This manual is an important part of your machine and should remain with the machine when you sell it.

Reading your operator's manual will help you and others avoid personal injury or damage to the machine. Information given in this manual will provide the operator with the safest and most effective use of the machine. Knowing how to operate this machine safely and correctly will allow you to train others who may operate this machine.

This manual and safety signs on your machine may also be available in other languages (see your John Deere dealer to order).

Sections in your operator's manual are placed in a specific order to help you understand all the safety messages and learn the controls so you can operate this machine safely. You can also use this manual to answer any specific operating or servicing questions. A convenient index located at the end of this book will help you to find needed information quickly.

The machine shown in this manual may differ slightly from your machine, but will be similar enough to help you understand our instructions.

RIGHT-HAND and LEFT-HAND sides are determined by facing in the direction the machine will travel when going forward. When you see a broken line arrow (----->), the item referred to is hidden from view.

Before delivering this machine, your dealer performed a pre-delivery inspection to ensure best performance.

Special Messages

Your manual contains special messages to bring attention to potential safety concerns, machine damage as well as helpful operating and servicing information. Please read all the information carefully to avoid injury and machine damage.

IMPORTANT: Avoid damage! This text is used to tell the operator of actions or conditions that might result in damage to the machine.

NOTE: General information is given throughout the manual that may help the operator in the operation or service of the machine.



CAUTION: Avoid injury! This symbol and text highlight potential hazards or death to the operator or bystanders that may occur if the hazards or procedures are ignored.

PRODUCT IDENTIFICATION

Record Identification Numbers

Front Mower

1420 PIN (030001 -)

1435 PIN (030001 -)

1445 PIN (030001 -)

1545 PIN (010001 -)

1565 PIN (020001 -)

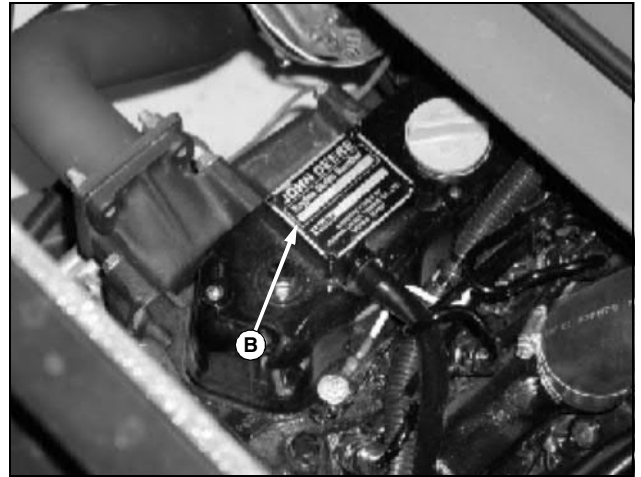
If you need to contact an Authorized Service Center for information on servicing, always provide the product model and identification numbers.

You will need to locate the identification numbers for the product. Record the information in the spaces provided below.

DATE OF PURCHASE:

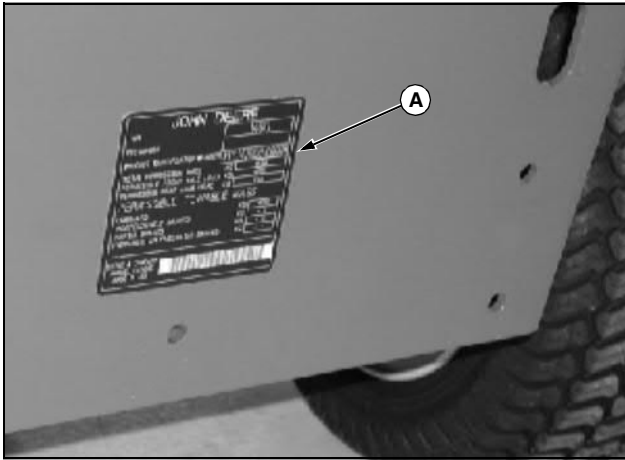
DEALER NAME:

DEALER PHONE:



MX7086

ENGINE SERIAL NUMBER (B):



MX7053

PRODUCT IDENTIFICATION NUMBER (A):

TABLE OF CONTENTS

Safety	1
Operating Machine	11
Replacement Parts	27
Service Intervals	28
Service Lubrication	29
Service Engine	32
Service Transmission.....	46
Service Steering & Brakes.....	50
Service Electrical.....	52
Service Miscellaneous.....	56
Troubleshooting	62
Storage	65
Assembly	67
Specifications	70
Warranty	73
Index.....	77

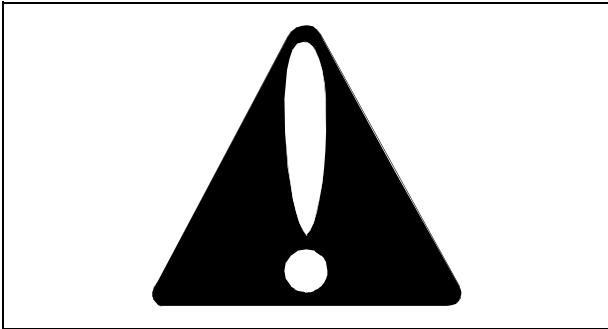
All information, illustrations and specifications in this manual are based on the latest information at the time of publication. The right is reserved to make changes at any time without notice.

COPYRIGHT© 2002
Deere & Co.
John Deere Worldwide Commercial and
Consumer Equipment Division
All rights reserved
Previous Editions
COPYRIGHT© 2000

OMTCU17249 J2 - English

SAFETY

Understanding the Machine Safety Labels



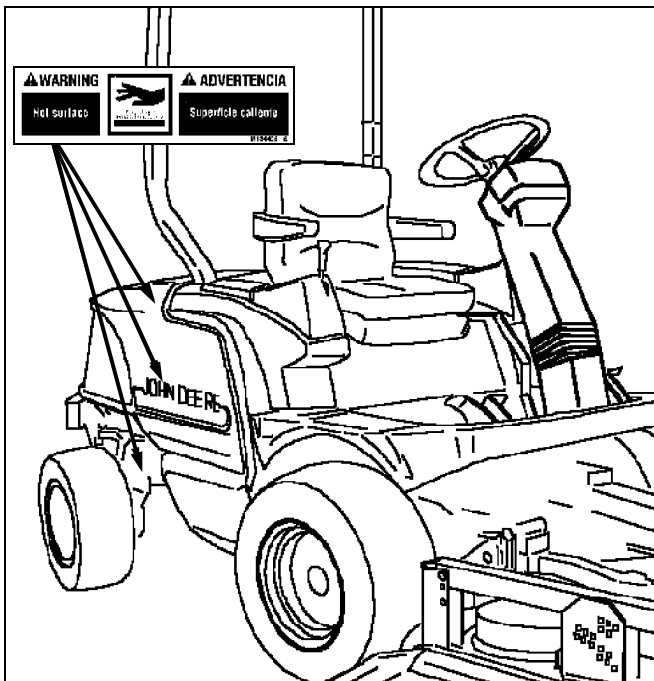
Safety Alert Symbol

The machine safety labels shown in this section are placed in important areas on your machine to draw attention to potential safety hazards.

On your machine safety labels, the words DANGER, WARNING, and CAUTION are used with this safety-alert symbol. DANGER identifies the most serious hazards.

The operator's manual also explains any potential safety hazards whenever necessary in special safety messages that are identified with the word, CAUTION, and the safety-alert symbol.

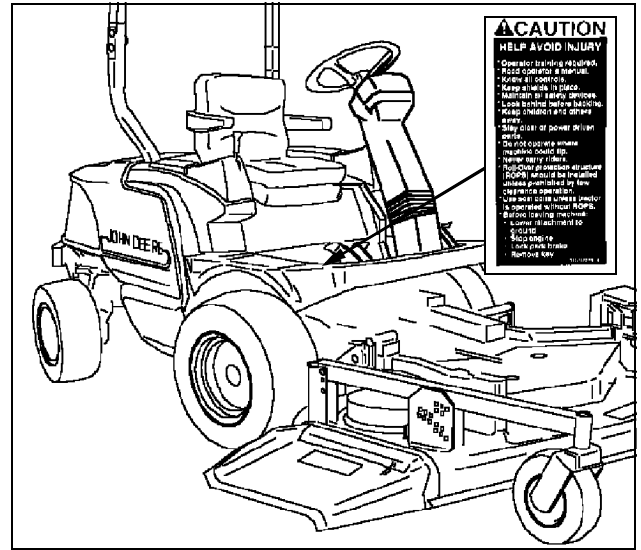
WARNING



MX044, MX4471

Hot surface

CAUTION



MX4471, MX7037

HELP AVOID INJURY

- Operator training required
- Read operator's manual
- Know all controls
- Keep shields in place
- Maintain all safety devices
- Look behind before backing
- Keep children and others away
- Stay clear of power driven parts
- Do not operate where machine could tip
- Never carry riders
- Roll-over protection structure (ROPS) should be raised unless prohibited by low clearance operation
- Use seat belts unless ROPS is in lowered position
- Before leaving machine:
 - Lower attachment to ground
 - Stop engine
 - Lock the park brake
 - Remove key

Thank you so much for reading.
Please click the “Buy Now!”
button below to download the
complete manual.



After you pay.

You can download the most
perfect and complete manual in
the world immediately.

Our support email:

ebooklibonline@outlook.com