



42 Snow Plow



JOHN DEERE

OPERATORS MANUAL

42 Snow
Plow

OMW15072 I5 English

OMW15072 I5

LITHO IN U.S.A.
ENGLISH



TO THE OWNER

Your new 42 Snow Plow is designed to mount on John Deere 1020 and 2020 Row-Crop Utility and Hi-Crop Utility Tractors, 1010 Row-Crop, 1010 Single Row-Crop Utility, Row-Crop Utility, 1010 Wheel and 2010 Row-Crop and Row-Crop Utility Tractors.

This manual is furnished to assist you in assembling, operating, and making proper adjustments to adapt your snow plow to various job applications.

Study the manual carefully and keep it handy by storing it in a safe place for future reference.

If your snow plow requires parts, we suggest you take advantage of your John Deere dealer's modern parts department. He can furnish genuine John Deere parts.

Quicker parts service can be rendered by having the date and series information to give to your dealer. Record it in the box below.

JOHN DEERE 42 SNOW PLOW

Date Purchased _____ 19 ____ . Series Number _____
(See Plate Attached to Blade Support.)

SPECIFICATIONS

Blade Height	25 inches
Blade Width	6 ft. regular (7-ft. optional)
Cutting Width	6 ft. blade cuts a path 65 inches when fully angled. 7 ft. blade cuts a path 76 inches when fully angled.
Blade Angle	Blade can be used straight or angled either 12-1/2 or 25 degrees to the left or right.
Working Height	0-20 inches
Blade Cutting Edge	Reversible (High carbon spring steel)
Depth Shoes—adjustable . .	Regular equipment for working over uneven surfaces.
Safety Spring Device	Heavy springs control the trip action of the blade when it hits an obstruction.
Lift.	Cable lift is operated by the rear rockshaft on tractor. Maximum lift clearance is 20 inches.
Weight.	Approx. 430 lbs. (with 7 ft. blade)

(Specifications and Design Subject to Change Without Notice)

OPERATION

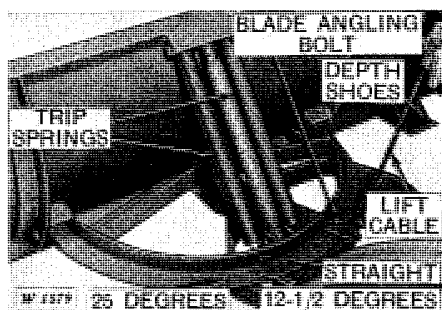
BLADE ANGLE

The operator should decide on the best method of plowing by considering the conditions at hand and analyzing the work to be done. There are times when it is better to angle the blade; at other times, straight plowing will do the best job.

The blade is easily angled to the right or left, either 12-1/2 or 25 degrees. Remove the blade angling bolt, pivot the blade right or left to the desired angle and replace bolt.

The 6-foot blade will cut a path 65 inches wide when fully angled to the right or left.

The 7-foot blade will cut a path 76 inches wide when fully angled to the right or left.



LIFT

The cable lift is operated from the rockshaft lift arm on the tractor. Moving the control lever forward lowers the blade; moving the lever rearward raises the blade.

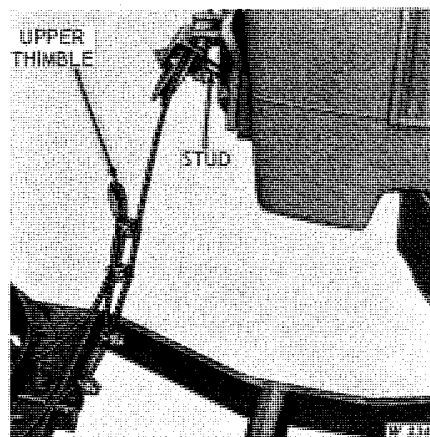
DEPTH SHOES

The depth shoes are especially useful where soft earth conditions are encountered or where uneven surfaces are to be plowed. The shoes are adjustable and can be raised by changing the location of the spacers provided. Raise plow and remove two bolts holding spacers. Place spacers between shoe and lower blade angle to raise height as required. Replace bolts.

SPRING SAFETY DEVICE

Two heavy trip springs control the trip action of the plow blade. When the blade strikes a stone or other object, it trips forward, clears the object and immediately returns to its upright plowing position.

TRANSPORTING

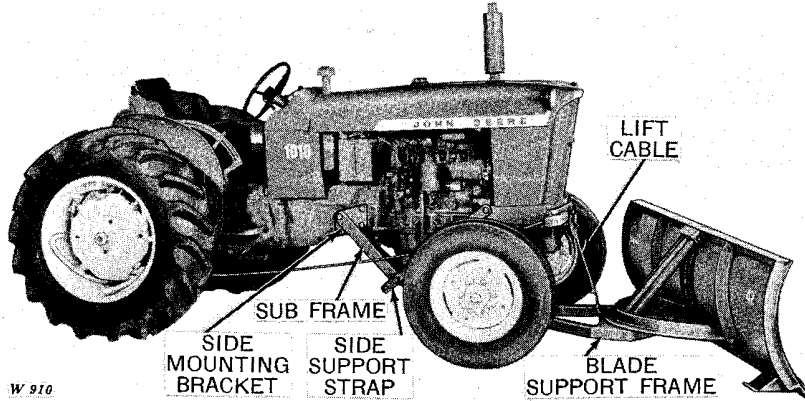


2020 Tractor Illustrated

Raise blade to the highest position. On 1020 and 2020 Tractors place upper cable thimble over stud on front sheave support and secure with spring locking pin.

2 Operation

ATTACHING AND DETACHING



After initial assembly, the snow plow may be attached or detached from the tractor in units.

DETACHING

Lower blade to ground and disconnect lift cable from blade support frame.

On 2010 Row-Crop Tractor, block up blade support frame and remove bolts attaching it to subframe. Back tractor free from plow and then remove subframe and side attaching straps. On all other tractors, block up blade support frame and remove upper bolts from subframe and side support straps. Loosen lower pivot bolt and drop subframe and side support straps down so that tractor can be backed free from plow.

Unless a cultivator or other front mounted implement is to be attached, the front sheave support assembly, cable assembly and side mounting brackets may be left on the tractor. The lift bracket must be removed to use the 3-point hitch on 1010 and 2010 Tractors only.

ATTACHING

If front sheave support assembly, cable assembly, side mounting brackets, and lift bracket were removed from tractor, reassemble these units to tractor before further installation.

Remove 3-point hitch from 1010 and 2010 Tractors. (Do not remove rockshaft arms.)

NOTE: It is not necessary to remove 3-point hitch on 1020 and 2020 Tractors.

On 1010 Wheel Tractors, remove tractor side plates.

Adjust front wheels to tread widths listed below for clearance when in maximum turning position:

1010 Utility and Single	
Row-Crop	53-1/8 In.
1010 Row-Crop Utility. .	54 In.

On 2010 Row-Crop Tractor, attach subframe to side mounting brackets and side support straps to tractor. Drive front wheels inside blade support frame and bolt blade support frame to subframe.

On all other tractors, drive front wheels over blade support frame. Attach subframe to side mounting brackets and side support straps to

tractor.

Tighten all bolts securely.

Attach lift cable to blade support frame and to rockshaft lift arm.



SAFETY SUGGESTIONS



Never leave the tractor seat with the blade raised and never leave the machine unattended with the tractor engine running.

When removing bolt to change angle of blade, be sure your feet are not under the blade.

Carry the blade as low as possible when traveling on steep inclines.

Do not use the blade for a battering ram.

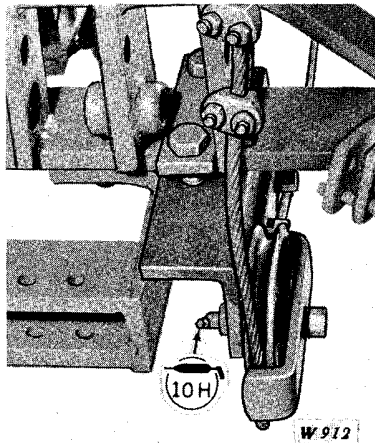
When crossing rough terrain or obstacles, travel slowly and at an

angle to the obstacle. This will reduce wear on equipment and prevent operator injury.

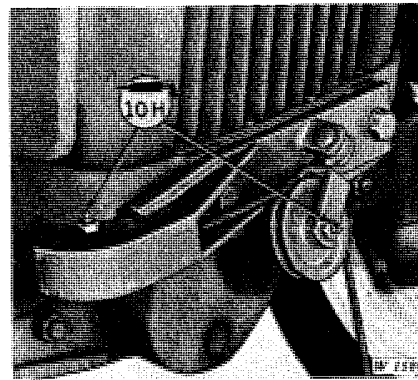
CAUTION: When driving your tractor and snow plow on a road or highway at night or during the day, use accessory lights and devices for adequate warning to the operators of other vehicles. In this regard, check local governmental regulations. Various safety lights and devices are available from your John Deere dealer.

LUBRICATION

REAR SHEAVE



FRONT SHEAVES



SYMBOL



Grease every 10 hours with multipurpose type grease.

SHIPPING BUNDLES

Mounting Parts Required to Install 42 Snow Plow on 1020 and 2020 HI-Crop¹ Utility and Row-Crop Utility Tractors

Part No.	Description
BW 10231 W	Frame
BW 10233 W	6-ft. blade
BW 10614	Attaching parts
BW 10615	Lift bundle

Mounting Parts Required to Install 42 Snow Plow on 1010 Single Row-Crop, 1010 Utility, 1010 Row-Crop Utility and 1010 Wheel Tractors

BW 10231 W	Frame
BW 10280 W	Lift
BW 10281 W	Attaching parts
BW 10233 W	6-ft. blade

Mounting Parts Required to Install 42 Snow Plow on 1010 Row-Crop Tractor

BW 10526	Frame
BW 10528	Attaching parts
BW 10529	Lift
BW 10233 W	6-ft. blade

Mounting Parts Required to Install 42 Snow Plow on 2010 Row-Crop Tractor

BW 10526	Frame
BW 10527	Attaching parts
BW 10236 W	Lift
BW 10233 W	6-ft. blade

Mounting Parts Required to Install 42 Snow Plow on 2010 Row-Crop Utility Tractor

BW 10231 W	Frame
BW 10236 W	Lift
BW 10237 W	Attaching parts
BW 10233 W	6-ft. blade

Optional Equipment

BW 10234 W	7-ft. blade (In lieu of BW10233W)
------------	-----------------------------------

Thank you so much for reading.
Please click the “Buy Now!”
button below to download the
complete manual.



After you pay.

You can download the most
perfect and complete manual in
the world immediately.

Our support email:

ebooklibonline@outlook.com