

JOHN DEERE 227 GYRAMOR ROTARY CUTTER



JOHN DEERE

OPERATORS MANUAL JOHN DEERE 227 GYRAMOR ROTARY CUTTER

OMW21323 D2 English

DEERE WELLAND WORKS
OMW21323 D2

LITHO IN THE U.S.A. (REVISED)
ENGLISH





To the Purchaser


This Gyramor was carefully designed and manufactured to give years of dependable service. To keep it running efficiently, read the instructions in this operator's manual. Each section is clearly identified so you can easily find the information you need—whether it is operation, lubrication, or adjustments and service. Read the Table of Contents to learn where each section is located.

In addition to the equipment furnished with your Gyramor, attachments are available to help you do a better job in special cutting conditions. These are described in the extra equipment section of this manual and can be purchased from your John Deere dealer.

“Right-hand” and “left-hand” sides are determined by standing behind the Gyramor and facing in the direction of forward travel.

Record your Gyramor serial number in the space provided on page 23. Your dealer needs this information to give you prompt, efficient service when you order parts or attachments. If your Gyramor requires replacement parts, go to your John Deere dealer where you can obtain Genuine John Deere parts—accept no substitutes.

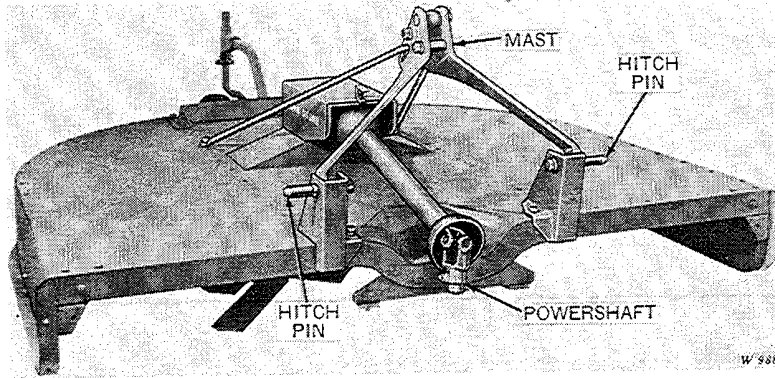
The warranty on this Gyramor appears on your copy of the purchase order which you should have received from your dealer when you purchased the Gyramor.

 This safety alert symbol identifies important safety messages in this manual. When you see this symbol, be alert to the possibility of personal injury and carefully read the message that follows.

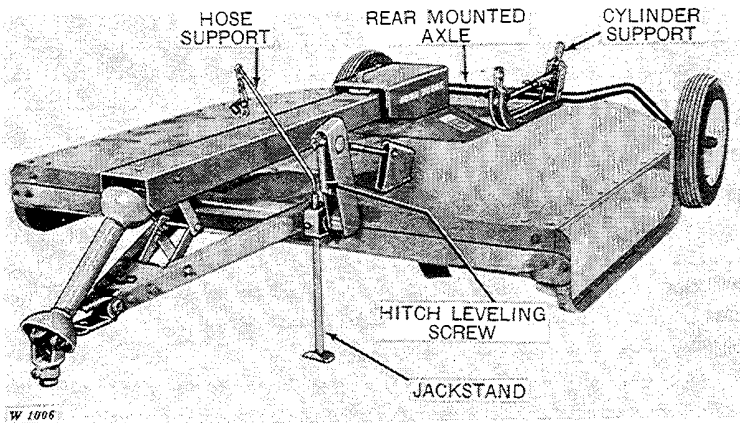


Contents

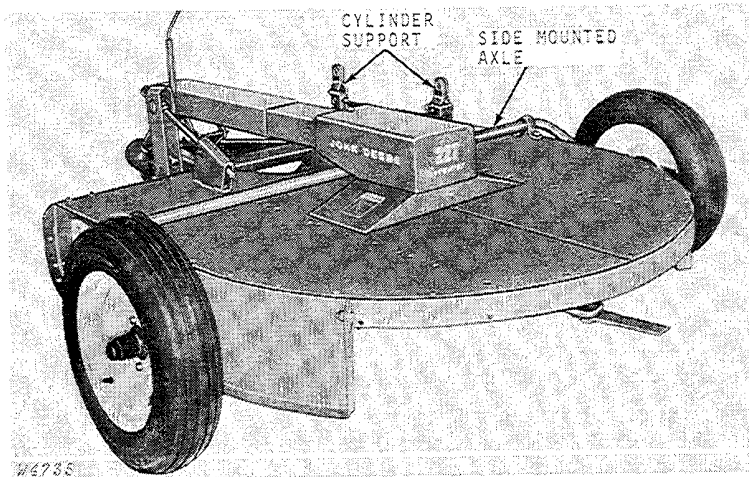
	Page
IDENTIFICATION VIEWS	2
OPERATION	3-8
GENERAL	3
INTEGRAL GYRAMOR	3-4
Preparing Tractor	3
Attaching to Tractor	4
Detaching from Tractor	4
Adjusting Cutting Height	4
PULL-TYPE GYRAMOR	5-6
Preparing Tractor	5
Attaching to Tractor	5
Remote Hydraulic Cylinder	5
Detaching from Tractor	5
Adjusting Cutting Height	6
Making Sharp Turns	6
Tire Inflation	6
INTEGRAL AND PULL-TYPE GYRAMOR	6-9
Blades	6
Slip Clutch	7
Cutting Brush	8
Transporting	8
SAFETY RULES	9
LUBRICATION	10
SERVICE	11-12
Removing and Installing Tractor Powershaft Shield	11
Servicing Slip Clutch	12
TROUBLE SHOOTING	13-14
EXTRA EQUIPMENT	15-17
Front Shield	15
Rear Shield	15-16
Wear Shoes	16
Anti-Wrap Shield	16
Tire Shield	16
Double Blades	17
Shredding Attachment	17
ASSEMBLY	18-23
SPECIFICATIONS	24



John Deere 227 Integral Gyramor Rotary Cutter with Rear Gauge Wheel



John Deere 227 Pull-Type Gyramor Rotary Cutter with Rear Mounted Wheels



John Deere 227 Pull-Type Gyramor Rotary Cutter with Side Mounted Wheels



Operation

GENERAL

Your new Gyramor has a variety of uses. It is ideal for maintaining pastures, destroying weeds, cutting brush, mulching orchard and vineyard prunings, and shredding crop residues. It can be used to remove and chop potato and peanut vines prior to digging and to pulverize and spread corn and cotton stalks after harvest. It helps in the control of insect pests by destroying their wintering places.

The Gyramor can be assembled as an integral machine or as a pull-type machine. Parts are available to convert from integral to pull-type or pull-type to integral.

The integral machine can be used on John Deere tractors through the 4320 Series and similar tractors having a 3-point hitch. The pull-type machine can be used with any tractor having standard ASAE-SAE drawbar and power take-off dimensions. Both integral and pull-type machines can be operated on tractors having 540 rpm PTO, but they cannot be operated on tractors equipped with external powershaft speed changers.

The 3-point hitch and remote hydraulic cylinder provide a fast, easy means of adjusting the cutting height of the Gyramor. See your tractor operator's manual for a complete explanation of the hydraulic system.

IMPORTANT: If the Gyramor is used with a tractor having a direction reverser, never shift direction reverser to the reverse position while the Gyramor is connected to the tractor powershaft.

INTEGRAL GYRAMOR

Preparing Tractor

Remove guard from end of powershaft and install powershaft master shield.

Under normal operating conditions, tractor front end weighting is not necessary. In conditions where it becomes necessary to add weight, see your tractor operator's manual.

Adjust tractor sway blocks so side sway is eliminated when implement is in transport position. Side sway is permitted when the Gyramor is lowered to a working position. See tractor operator's manual.

Refer to tractor operator's manual for instructions on tire inflation and use of wheel weights.

John Deere 1010, 1020, and 1520 Wheel-Type Tractors

Set tractor drawbar to shortest position.

On 1020 and 1520 Tractors set rockshaft selector lever in the "D" position.

Turn out load control yoke lockout screw so load control will not operate.

Pin upper ends of lift links to inner holes in rockshaft lift arms.

Pin center link to top hole in load control yoke.

On tractors equipped with dual hydraulic system, adjust to parallel lift arm operation. (See tractor Operator's Manual.)

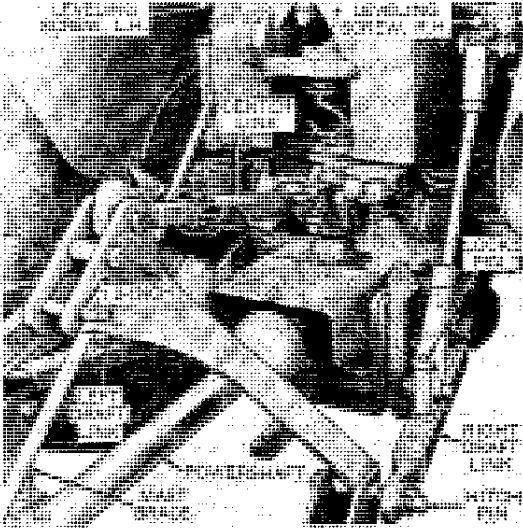
John Deere 2010, 2020, 2030, 2510, 2520, 3010, 3020, 4000, 4010, 4020, and 4320 Tractors

Set tractor drawbar in short high position.

Set rockshaft selector lever in the "D" position.

On 2010 Tractor with dual hydraulic system, adjust for parallel lift arm operation. (See tractor Operator's Manual.)

Attaching To Tractor



Back tractor so draft links are approximately in line with hitch pins on Gyramor.

Attach powershaft to tractor power take-off. Press in on plunger in powershaft yoke and slip yoke on splined shaft. Make sure plunger returns to "full out" position to insure positive lock.

Attach draft links to hitch pins, using rockshaft control lever to obtain correct alignment. (Lifting the lock pins on tractors so equipped, permits draft links to telescope and facilitates attachment.)

Attach center link to mast.

NOTE: AF2710 Kit is available to adapt category 2 tractor hitch with hook type center link for use with the category 1 Gyramor hitch.

AT12350 Kit is available to adapt category 2 tractor hitch with ball socket end on center link for use with the category 1 Gyramor hitch.

AR27093 Kit is available to adapt category 2 Gyramor hitch for use with tractor Quik-Coupler hitch.

IMPORTANT: Raise Gyramor slowly after connecting PTO to make sure powershaft does not strike Gyramor frame. Lengthen tractor lift links as required to provide 1/2-inch clearance.

Detaching From Tractor

Tractor with 3-Point Hitch

Lower Gyramor to ground or on blocks and turn center link on tractor until load is relieved. Detach center link.

Turn leveling screw until draft link is free and detach from hitch pin.

Detach the other draft link from hitch pin, using rockshaft control lever on tractor to relieve load.

Press in on plunger and remove power take-off yoke from powershaft on tractor.

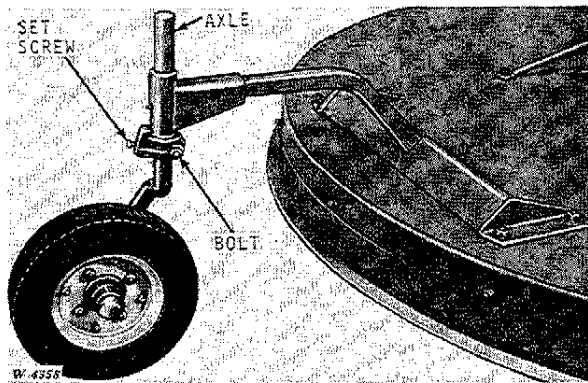
Tractor with Quik-Coupler

Lower Gyramor to ground level.

Release spring-loaded latches on coupler and lower hooks free of Gyramor adapters.

Press in on plunger and remove power take-off yoke from powershaft on tractor.

Adjusting Cutting Height



Gauge Wheel

Use the gauge wheel position and the rockshaft control lever on tractor to set Gyramor at desired cutting height. Set stop against rockshaft control lever as instructed in tractor operator's manual.

NOTE: See page 8 for recommendations on cutting brush.

Adjust the length of the center link to provide 1/2-inch clearance between the mast brace and the lower end of the slotted hole in the mast.

Level Gyramor laterally using the screw crank on the tractor lift link.

To adjust the gauge wheel, loosen set screw and bolt in collar, adjust axle to desired height and retighten bolt and set screw.

Thank you so much for reading.
Please click the “Buy Now!”
button below to download the
complete manual.



After you pay.

You can download the most
perfect and complete manual in
the world immediately.

Our support email:

ebooklibonline@outlook.com