

145 FARM LOADER



JOHN DEERE

OPERATORS MANUAL

145 FARM LOADER

OMW21474 E0 English

JOHN DEERE WELLAND WORKS
OMW21474 E0

LITHO IN THE U.S.A.
ENGLISH





Introduction



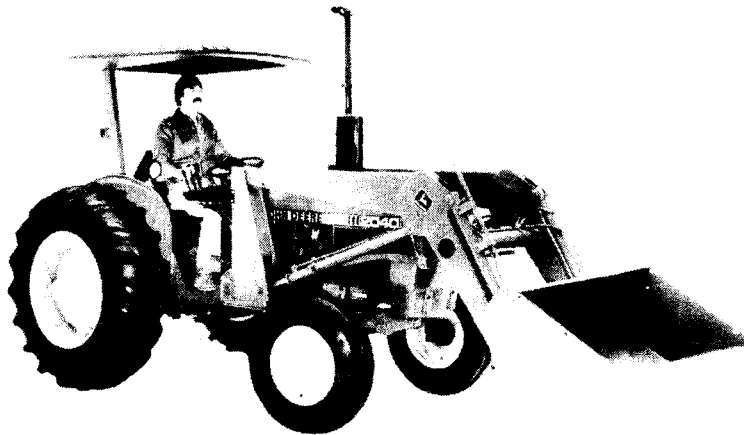
This safety alert symbol identifies important safety messages in this manual. When you see this symbol be alert to the possibility of personal injury and carefully read the message that follows.

"Right" and "left-hand" sides are determined by facing the direction of forward travel.

The warranty appears on your copy of the purchase order which you should have received from your dealer.

Record your Loader serial number in the space provided on page 72. Your dealer needs this information to give you prompt, efficient service.

This operator's manual contains SI metric equivalents which follow immediately after the U.S. customary units of measure.





Contents

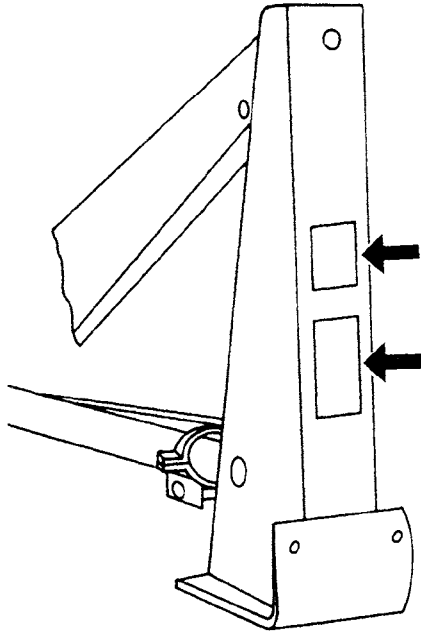
	Page		Page
Safety	2-6	Attachments	28-38
Preparing the Tractor	7-10	Manure Fork28
Tractor Size	7	Materials Bucket	28-29
Front Tread	7	Tines29
Front Tires	8	Bucket Extensions30
Front Ballast	8	Side Cutting Edges30
Rear Tires	9	Bucket Level Indicator	31-32
Rear Tread	9	Mounting Stand	32-36
Main Clutch	9	Regenerative Valve	37-38
Rear Ballast10	Lubrication	39-40
Attaching and Detaching	11-21	Trouble Shooting	41-42
Attaching Loader	11-13	Service	43-45
Hydraulic Connections	14-16	Cylinders	43-44
Detaching Loader	17-21	Hardware Torque45
Controls	22-23	Storage46
Remote Cylinder Control Valves22	Assembly	47-69
Independent Control Valve23	Preparing the Tractor	47-54
Transporting24	Installing Mounting Frames	55-56
Operation	25-27	Attaching Loader	56-57
Before Operating25	Connecting Hydraulics	
Cleaning Feedlots25	Independent Control Valve	58-65
Digging25	Remote Cylinder Control Valve	66-67
Removing Material from Pile26	Making Step Adapter Bracket	68-69
Loading26	Specifications	70-71
Leveling27	Serial Number72



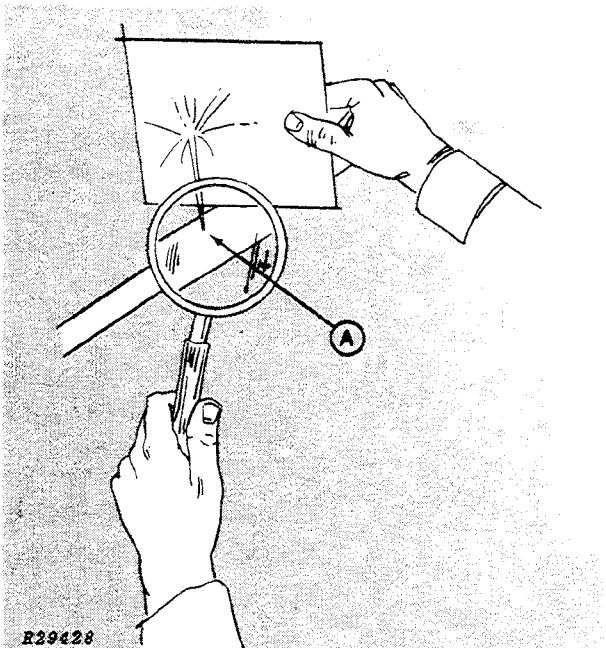
Safety

BEFORE OPERATING

Read this manual and all decals on the machine.



W6680



R29428

Escaping fluid under pressure can have sufficient force to penetrate the skin, causing serious personal injury. Before disconnecting lines, be sure to relieve all pressure. Before applying pressure to the system, be sure all connections are tight and that lines, pipes and hoses are not damaged. Fluid escaping from a very small hole can be almost invisible. Use a piece of cardboard or wood, rather than your hands to search for suspected leaks.

If injured by escaping fluid, see a doctor at once. Serious infection or reaction can develop if proper medical treatment is not administered immediately.

A—Pin Hole Leak

Become familiar with all controls.

Check hardware condition.

Check condition of hydraulic hoses and connections.

Remove foreign objects from loader.

Be sure no one is near loader.

Be sure all tractor PTO shields are installed.

OPERATING

Do not use the 145 Loader to handle round bales.

Do not use Grapple Fork or Round Bale Clamp with the 145 Loader.

Improper use of loader can cause serious injury or death.

A roll-over protective structure is recommended for tractors equipped with a loader.

Under most operating conditions:

Use a seat-belt on a tractor with a roll-over protective structure.

Do not use a seat belt on a tractor without a roll-over protective structure.

Thank you so much for reading.
Please click the “Buy Now!”
button below to download the
complete manual.



After you pay.

You can download the most
perfect and complete manual in
the world immediately.

Our support email:

ebooklibonline@outlook.com