

FD Series Heads

Drive to Tree Disc Saw Heads

S/N WCFD18X005001 –

S/N WCFD21X006001 –

S/N WCFD22X007001 –

TECHNICAL MANUAL FD Series Disc Saw Heads TMF381707 (JULY01)

**CALIFORNIA
Proposition 65 Warning**

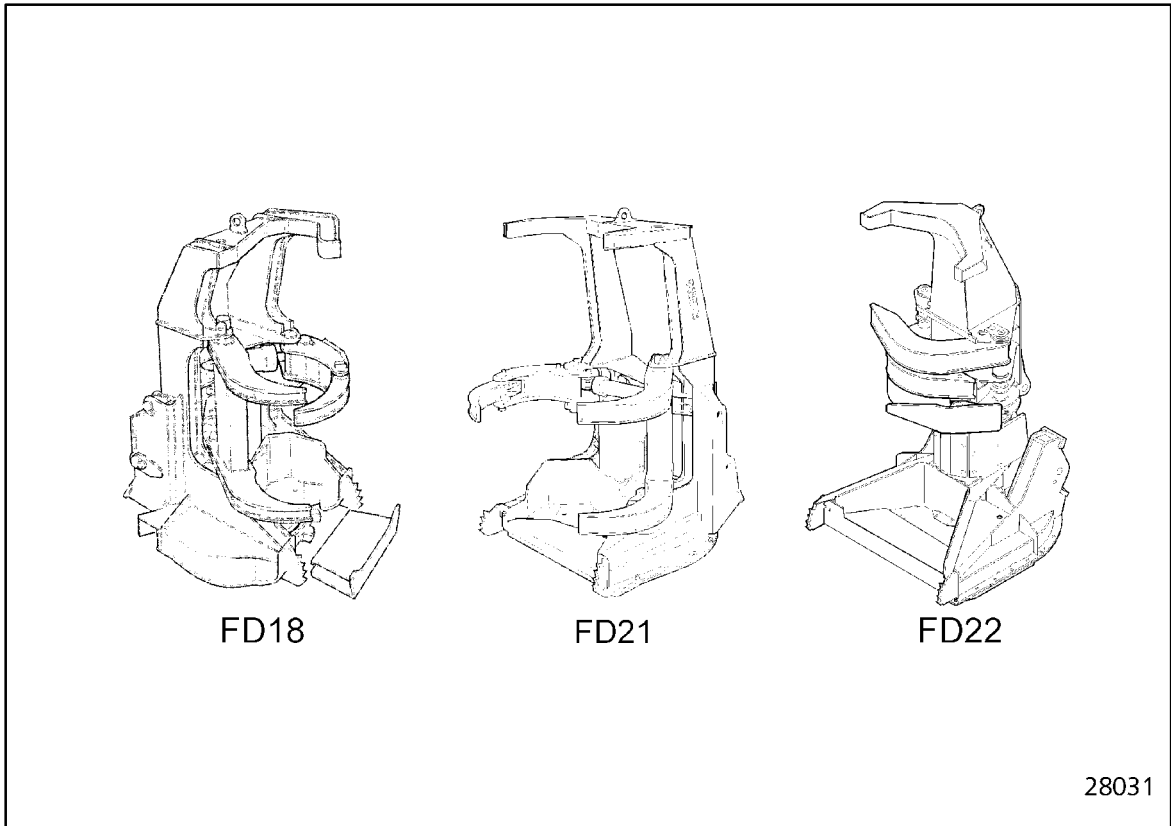
Diesel engine exhaust and some of its constituents are known to the State of California to cause cancer, birth defects and other reproductive harm.



WARNING

The engine exhaust from this product contains chemicals known to the State of California to cause cancer, birth defects or other reproductive harm.

Service Technical Manual



Drive to Tree Disc Saw Felling Heads

Waratah.
P.O. Box 160
925 Devonshire Avenue
Woodstock, Ontario, Canada
N4S 7X1

Telephone:

(519) 537-6271

Table of Contents

Section	Description
7400	Introduction
7411	Felling Head Frame
7412	Clamp Arms
7415	Tilt Link
7430	Disc Saw Group
7434	Disc Saw Driveshaft
7440	Hydraulic Group
7441	Hydraulic Motors
7442	Hydraulic Cylinders
7450	Electrical Group

7400 Introduction

1.1 Introduction	7400-3
1.1.1 General	7400-3
1.1.2 Models Covered By This Manual	7400-3
1.2 FD18 (Drive to Tree)	7400-4
1.2.1 Component Description	7400-4
1.2.2 General Dimensions	7400-5
1.2.3 General Specifications	7400-6
1.3 FD21 (Drive to Tree)	7400-7
1.3.1 Component Description	7400-7
1.3.2 General Dimensions	7400-8
1.3.3 General Specifications	7400-9
1.4 FD22 (Drive to Tree)	7400-10
1.4.1 Component Description	7400-10
1.4.2 General Dimensions	7400-11
1.4.3 General Specifications	7400-12
1.5 Torque Values	7400-13
1.5.1 Steel Fasteners	7400-13
1.5.2 Hydraulic Fittings	7400-17
1.6 Application of Adhesives	7400-21
1.6.1 Through Hole (Bolts & Nuts)	7400-21
1.6.2 Blind Holes (Cap Screws, etc.)	7400-21
1.6.3 Pre-Assembled Fasteners	7400-22
1.6.4 Hydraulic Fittings	7400-22
1.7 Tool Lists	7400-23
1.7.1 Service Shop	7400-23
1.7.2 Service Truck	7400-24
1.7.3 Felling Head Service Tools	7400-25

1.1 Introduction

1.1.1 General

The Workshop Manual is intended to provide technical information, component specifications, troubleshooting and removal, disassembly and reassembly procedures for most of the major components of the felling head. Use this manual in conjunction with the applicable Operator/Maintenance Manual and the applicable Carrier Workshop Manuals.

When practical, the Workshop Manual lists likely causes of malfunctions, offers test procedures to verify causes and then illustrates the steps for the adjustment or repair procedure(s).

Troubleshooting must always be a multi-step process. Use the following steps:

1. Know the operation of all machine systems.
2. Ask the operator about symptoms and when they occur.
3. Operate the machine yourself if practical.
4. List all possible causes.
5. Inspect for obvious causes.
6. Eliminate the simple ones by checking oil, changing filters, etc.
7. Carry out diagnostic procedures like pressure and leakage testing to pinpoint the cause.

Component specifications provide performance and mode of operation information that can be very useful in troubleshooting.

Disassembly and reassembly procedures are given for many major components. When possible, clearance and torques are given. If a manufacturer's workshop manual is available, it should be given priority.

Reference to special equipment for testing and repair is limited, as most repair shops or local machine shops are well equipped to fabricate on an as-needed basis to reduce downtime.

1.1.2 Models Covered By This Manual

Technical information, component specifications, troubleshooting, removal, disassembly and reassembly procedures for the following model felling heads are covered in this manual:

1. FD18 (Drive to Tree)
2. FD21 (Drive to Tree)
3. FD22 (Drive to Tree)

Thank you so much for reading.
Please click the “Buy Now!”
button below to download the
complete manual.



After you pay.

You can download the most
perfect and complete manual in
the world immediately.

Our support email:

ebooklibonline@outlook.com