

## TABLE OF CONTENTS 2390 AND 2590 TRACTORS

SERIES	SECTION	DESCRIPTION	FORM NUMBER
10		<b>GENERAL</b>	
	1210	General Specifications - 2390 Tractors .....	8-20800
	1211	General Specifications - 2590 Tractors .....	8-20810
	1212	Lubrication - 2390 Tractors .....	8-20821
	1213	Lubrication - 2590 Tractors .....	8-20831
	1220	Engine Specifications 504BDT Engine .....	8-20841
	1230	Fuel System Specifications .....	8-20850
	1250	Steering Specifications .....	8-20070
	1260	Power Train Specifications .....	8-20870
	1270	Brake System Specifications .....	8-20880
	1280	Hydraulic System Specifications .....	8-20890
20		<b>ENGINES</b>	
	2201	Trouble Shooting - Engine .....	8-20111
	2202	Engine Tune-Up .....	8-20120
	2210	Tractor Split (Between Engine and Torque Tube) .....	8-20900
	2215	Cylinder Head, Valve Train and Camshaft .....	8-20140
	2225	Cylinder Block, Sleeves, Pistons and Rods .....	8-20150
	2235	Crankshaft, Main Bearing, Flywheel and Oil Seals .....	8-20160
	2245	Lubrication System - Oil Pump, Oil Pan and Heat Exchanger .....	8-20910
	2255	Cooling System .....	8-20180
	2265	Turbocharger - T04B .....	8-20190
	2565	Turbocharger Failure Analysis .....	9-78235
	2275	Air Induction System .....	8-20920
	2290	Reconditioning Engine Cylinder Block .....	8-21170
30		<b>FUEL SYSTEM</b>	
	3210	Fuel System and Filters .....	8-20220
	3212	Robert Bosch Fuel Injection Pumps .....	8-20230
	3213	American Bosch Fuel Injectors .....	8-20240
40		<b>ELECTRICAL</b>	
	4201	Electrical System Troubleshooting .....	8-22580
	4210	Tractor Electrical Wiring Diagram (Prior to P.I.N. 8841101) .....	8-20261
	4210	Tractor Electrical Wiring Diagram (P.I.N. 8841101 and After) .....	8-22640
	4220	Cab Electrical Wiring Diagram (Prior to Cab SN12013067) .....	8-20270
	4220	Cab Electrical Wiring Diagram (Cab SN12013067 and After) .....	8-22650
	4230	Starting Motors - Delco Remy .....	8-21420
	4230	Starting Motors - Nippondenso .....	8-25980
	4235	Battery Servicing and Testing .....	8-20291
	4240	Delco-Remy Alternator System .....	8-21430
	4280	Neutral Start Switch Adjustment and Correct Starting Procedure Using Booster Batteries .....	8-20930
50		<b>STEERING</b>	
	5205	Testing Tractor Steering System .....	8-20950
	5210	Steering Column, Pump and Valve .....	8-20341
	5220	Steering Cylinder .....	8-20351
	5230	Front Steering Axle and Lines .....	8-20360

Reprinted

SERIES	SECTION	DESCRIPTION	FORM NUMBER
60		<b>POWER TRAIN</b>	
	6201	Trouble Shooting - RPS-34 Power Shift Transmission and PTO .....	8-20370
	6205	Testing RPS-34 Power Shift Transmission and PTO .....	8-20960
	6210	Tractor Split (Between Torque Tube and Transmission) .....	8-20970
	6220	Torque Limiter Clutch .....	8-20980
	6225	Hydraulic Pump Drive .....	8-20990
	6230	RPS-34 Power Shift .....	8-21000
	6235	RPS-34 Control Valve and Linkage .....	8-21010
	6240	Four Speed Transmission .....	8-21021
	6245	Hydraulic PTO .....	8-21030
	6250	Rear Axles and Planetaries .....	8-21040
	6255	Differential and Differential Lock .....	8-21050
70		<b>BRAKES</b>	
	7210	Power Assist Unit and Pedals .....	8-21060
	7215	Park Lock System .....	8-21070
	7220	Brake Cylinders .....	8-21080
80		<b>HYDRAULIC</b>	
	8202	Trouble Shooting - Hitch System .....	8-21090
	8205	Testing Tractor Hydraulic System .....	8-21101
	8210	Hydraulic Oil Filters .....	8-21110
	8220	Hydraulic Charging Pump .....	8-21120
	8225	Hydraulic Pump .....	8-21131
	8250	Remote Hydraulic Valves .....	8-20610
	8255	Flow Divider and PTO Control Valve .....	8-21140
	8280	Hitch System .....	8-21151
	8290	Break-Away Couplings and Portable Cylinders .....	8-20640
90		<b>ACCESSORIES</b>	
	9205	Trouble Shooting - Air Conditioning System .....	8-20650
	9215	Gauging and Testing Air Conditioning System .....	8-20660
	9225	Compressor Isolation, Removal, Installation and Evacuation - Discharging, Evacuation and Charging the Air Conditioning System .....	8-20670
	9235	Servicing Air Conditioner Components .....	8-20680
	9245	Servicing the Cab Blower .....	8-20690
	9250	Operators Seat Adjustments .....	8-20700
	9260	Removal of Hood, Grill and Side Panels .....	8-20710
100		<b>HOW IT WORKS</b>	
	18201	Tractor Hydraulics System Oil Flows .....	8-20750
	18225	Case CON TROL Hydraulics .....	8-21350

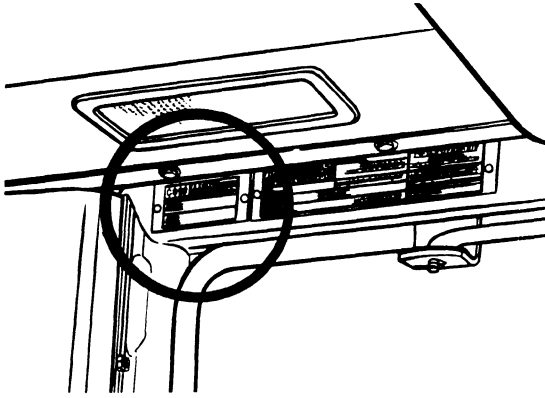
# Section 1210

## GENERAL SPECIFICATIONS

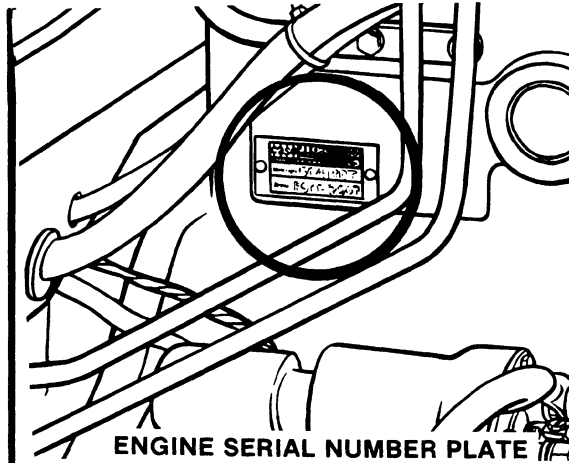
### 2390 Tractors

Written In *Clear  
And  
Simple  
English*

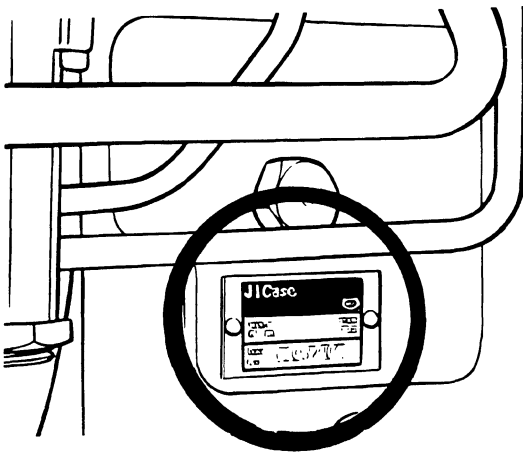
# SERIAL NUMBERS



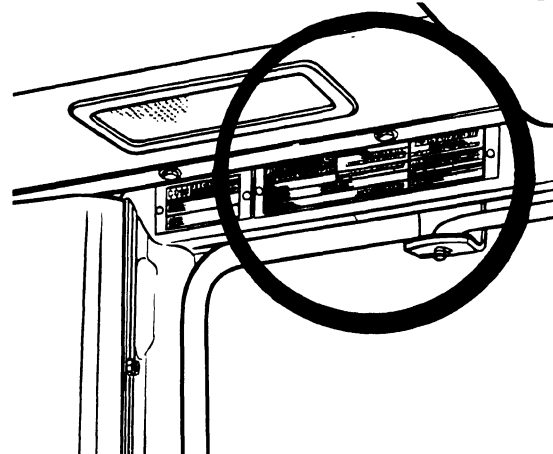
**CAB SERIAL NUMBER PLATE**



**ENGINE SERIAL NUMBER PLATE**



**TRANSMISSION SERIAL NUMBER PLATE**



**MODEL AND PRODUCT IDENTIFICATION NUMBER PLATE**

## DIESEL ENGINE SPECIFICATIONS

### General

Type .....	Six Cylinder, Four Stroke Cycle, Turbocharged, Valve in Cylinder Head.
Firing Order .....	1-5-3-6-2-4
Bore .....	4-5/8 Inches (117.5 mm)
Stroke .....	5 Inches (127 mm)
Piston Displacement .....	504 Cubic Inches (8 259 cm <sup>3</sup> )
Compression Ratio .....	15.75 to 1
Cylinder Sleeves .....	Wet Type, Can be Removed
Governor Engine Speed Without Load .....	2280 to 2320 RPM
Rated Engine Speed .....	2100 RPM
Engine Idle Speed .....	725 to 775 RPM
Rocker Arm-to-Valve Clearance (Exhaust) .....	0.025 Inch (0.635 mm)
(Intake) .....	0.015 Inch (0.381 mm)

**IMPORTANT:** *Rocker Arm-to-valve clearance adjustment must be made when the engine is not running.*

### Piston and Rod

Rings Per Piston .....	3
Compression Rings per Piston .....	2
Oil Rings Per Piston .....	1
Type Piston Pin .....	Full Float
Type Bearings .....	Replacement Bearings Available, Steel Back with Aluminum or Copper and Lead Liners.

### Main Bearings

Quantity of Bearings .....	7
Type of Bearings .....	Replacement Bearings Available, Steel Back with Aluminum or Copper and Lead Liners.

Thank you so much for reading.  
Please click the “Buy Now!”  
button below to download the  
complete manual.



After you pay.

You can download the most  
perfect and complete manual in  
the world immediately.

Our support email:

[ebooklibonline@outlook.com](mailto:ebooklibonline@outlook.com)