

# TABLE OF CONTENTS

## 4490 AND 4690 TRACTORS

SERIES	SECTION	DESCRIPTION	FORM NUMBER
10		<b>GENERAL</b>	
	1210	General Specifications - 4490 Tractors .....	8-21460
	1211	General Specifications - 4690 Tractors .....	8-21470
	1215	Lubrication - 4490 Tractors .....	8-21481
	1216	Lubrication - 4690 Tractors .....	8-21491
	1220	Engine Specifications .....	8-20841
	1230	Fuel System Specifications .....	8-21520
	1250	Steering System Specifications .....	8-21530
	1260	Power Train Specifications .....	8-21540
	1270	Brake System Specifications .....	8-21550
	1280	Hydraulic System Specifications .....	8-21560
20		<b>ENGINES</b>	
	2110	Engine, Front Axle and Transmission Removal Using Splitting Set .....	8-23071
	2201	Troubleshooting - Engine .....	8-20111
	2202	Engine Tune-Up .....	8-21570
	2210	Engine Removal .....	8-21580
	2215	Cylinder Head, Valve Train and Camshaft .....	8-21590
	2225	Cylinder Block, Sleeves, Pistons and Rods .....	8-21600
	2235	Crankshaft Main Bearings, Flywheel and Oil Seals .....	8-21610
	2245	Lubrication System - Oil Pump, Oil Pan and Heat Exchanger .....	8-21620
	2255	Cooling System .....	8-21631
	2265	Turbocharger - T04B .....	8-21640
	2565	Turbocharger Failure Analysis .....	9-78235
	2275	Air Induction System .....	8-21650
	2290	Reconditioning Engine Cylinder Block .....	8-21170
30		<b>FUEL SYSTEM</b>	
	3210	Fuel System and Filters .....	8-21660
	3212	Robert Bosch Fuel Injection Pumps .....	8-21670
	3213	American Bosch Fuel Injectors .....	8-21680
40		<b>ELECTRICAL</b>	
	4201	Electrical System Troubleshooting .....	8-22580
	4210	Tractor Electrical Wiring Diagram (Prior to P.I.N. 8860450) .....	8-21690
	4210	Tractor Electrical Wiring Diagram (P.I.N. 8860450 and After) .....	8-23370
	4220	Cab Electrical Wiring Diagram (Prior to Cab SN12013067) .....	8-21700
	4220	Cab Electrical Wiring Diagram (Cab SN12013067 and After) .....	8-22890
	4225	Steering Electrical Wiring Diagram .....	8-22470
	4226	Hitch Electrical Wiring Diagram (P.I.N. 8860450 and After) .....	8-23300
	4230	Starting Motors .....	8-21420
	4235	Battery Servicing and Testing .....	8-20291
	4240	Delco-Remy Alternator System .....	8-21430
	4280	Neutral Start Switch Adjustment .....	8-21710

<b>SERIES</b>	<b>SECTION</b>	<b>DESCRIPTION</b>	<b>FORM NUMBER</b>
<b>50</b>		<b>STEERING</b>	
	5201	Troubleshooting Solid State Selective Steering .....	8-22480
	5203	Electronic Steering System .....	8-23700
	5205	Testing Tractor Steering System .....	8-21720
	5210	Steering Column, Pump and Valve .....	8-21730
	5220	Steering Cylinder .....	8-21740
	5230	Steering Lines and Controls .....	8-21750
	5240	Rear Steering Valve .....	8-21760
	5250	Front Steering Priority Valve .....	8-21770
	5260	Rear Steering Priority Valve .....	8-21780
	5265	Rear Steering Check Valve (Prior to P.I.N. 8858086) .....	8-22001
	5265	Rear Steering Check Valve (P.I.N. 8858086 and After) .....	8-26430
	5280	Front and Rear Steering Adjustments .....	8-21790
<b>60</b>		<b>POWER TRAIN</b>	
	6201	Troubleshooting - RPS-34 Power Shift Transmission and PTO .....	8-20370
	6205	Testing RPS-34 Power Shift Transmission and PTO .....	8-21800
	6220	Torque Limiter Clutch .....	8-21810
	6230	RPS-34 Power Shift .....	8-21820
	6235	RPS-34 Control Valve and Linkage .....	8-21830
	6240	Four Speed Transmission .....	8-21840
	6245	Hydraulic PTO .....	8-21850
	6250	Axles and Planetaries .....	8-21860
	6260	Differentials and Drive Shafts .....	8-21871
<b>70</b>		<b>BRAKES</b>	
	7210	Brake Pedal, Master Cylinder, Service and Parking Brake .....	8-21880
<b>80</b>		<b>HYDRAULICS</b>	
	8202	Troubleshooting - Hitch System .....	8-21890
	8203	Electronic Hitch Alignment .....	8-23311
	8205	Testing Tractor Hydraulic System .....	8-21900
	8210	Hydraulic Oil Filters .....	8-21910
	8225	Hydraulic Pump .....	8-21920
	8250	Remote Hydraulic Valves .....	8-21930
	8255	Flow Divider and PTO Control Valve .....	8-21940
	8280	Hitch System .....	8-21950
	8281	Electronic Hitch System .....	8-23240
	8290	Break-Away Couplings and Portable Cylinder .....	8-20640
<b>90</b>		<b>ACCESSORIES</b>	
	9205	Troubleshooting - Air Conditioning System .....	8-21960
	9215	Gauging and Testing Air Conditioning System .....	8-21970
	9225	Compressor Isolation, Removal, Installation and Evacuation - Discharging, Evacuation and Charging the A. C. System .....	8-21980
	9235	Servicing Air Conditioner Components .....	8-21990
	9245	Servicing the Cab Blower .....	8-20690
	9250	Operators Seat Adjustments .....	8-20700
	9260	Removal of Tilting Hood, Grille and Side Panels .....	8-22010
	9280	Safety Decal Location .....	8-22530
<b>100</b>		<b>HOW IT WORKS</b>	
	15201	Tractor Steering System .....	8-22020
	15205	Case Solid State Selective Steering .....	8-22490
	18201	Tractor Hydraulic System .....	8-22030
	18225	Case CON TROL Hydraulics .....	8-21350

# Section

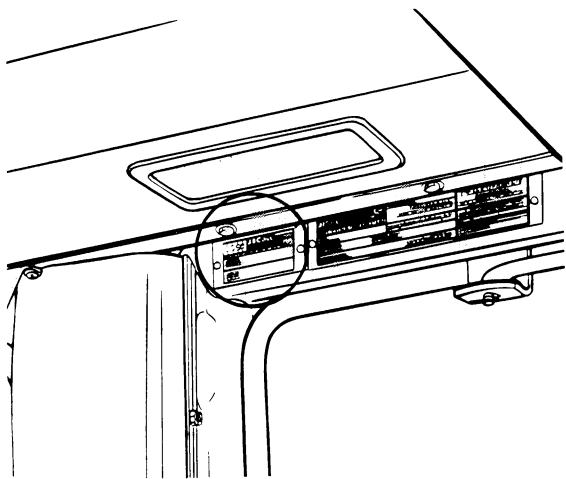
# 1210

## GENERAL SPECIFICATIONS

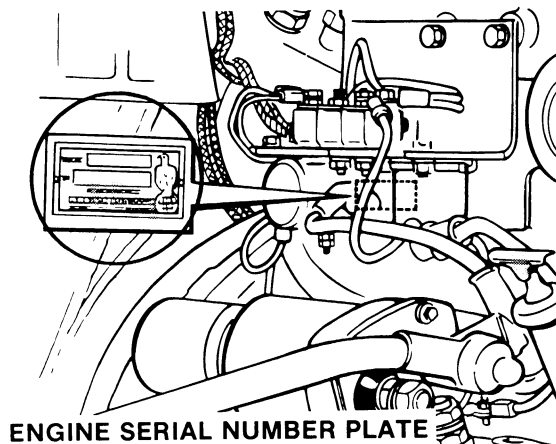
## 4490 TRACTORS

Written In *Clear  
And  
Simple  
English*

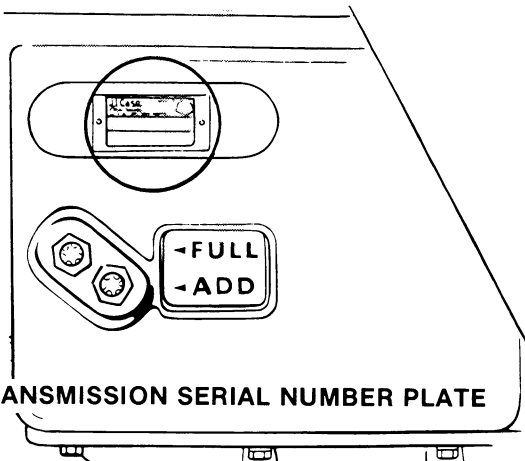
## SERIAL NUMBERS



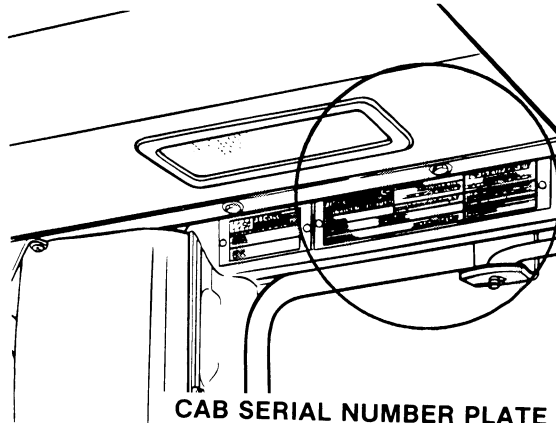
**MODEL AND PRODUCT IDENTIFICATION  
NUMBER PLATE**



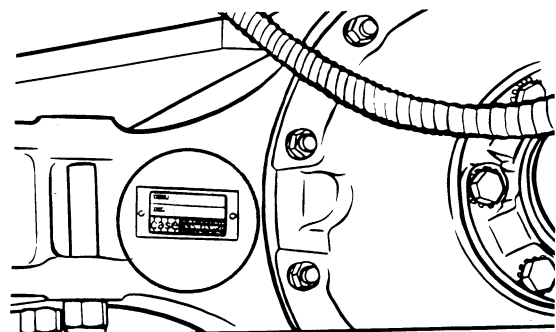
**ENGINE SERIAL NUMBER PLATE**



**TRANSMISSION SERIAL NUMBER PLATE**



**CAB SERIAL NUMBER PLATE**



**AXLE SERIAL NUMBER  
PLATE (Front and Rear)**

## DIESEL ENGINE SPECIFICATIONS

### General

Type .....	Six Cylinder, Four Stroke Cycle, Turbocharged, Valve in Cylinder Head
Firing Order .....	1-5-3-6-2-4
Bore .....	4-5/8 Inches (117.5 mm)
Stroke .....	5 Inches (127 mm)
Piston Displacement .....	504 Cubic Inches (8 259 cm <sup>3</sup> )
Compression Ratio .....	15.75 to 1
Cylinder Sleeves .....	Wet Type, Can be Removed
Governor Engine Speed Without Load .....	2340 to 2380 RPM
Rated Engine Speed .....	2200 RPM
Engine Idle Speed .....	725 to 775 RPM
Rocker Arm-to-Valve Clearance (Exhaust) .....	0.025 Inch (0.635 mm)
(Intake) .....	0.015 Inch (0.381 mm)

**IMPORTANT:** *Rocker Arm-to-Valve clearance adjustment must be made when the engine is not running.*

### Piston and Rod

Rings Per Piston .....	3
Compression Rings Per Piston .....	2
Oil Rings Per Piston .....	1
Type Piston Pin .....	Full Float
Type Bearings .....	Replacement Bearings Available, Steel Back with Aluminum or Copper and lead liners.

### Main Bearings

Quality of Bearings .....	7
Type of Bearings .....	Replacement Bearings Available, Steel Back With Aluminum or Copper and Lead Liners.

### Engine Lubrication System

Oil Pressure .....	45 to 60 PSI (310 to 414 kPa)(3.1 to 4.14 bar) with Engine Warm and Operating at Rated Speed.
Type System .....	Pressure and Spray with Piston Oil Cooling
Oil Pump .....	Gear Type
Oil Filters (2) .....	Full Flow, Turn on Type, ByPass Valve in Filter Base.
Oil Capacity .....	With Filters, 28 U.S. Quarts (27 litres) Without Filters, 24 U.S. Quarts (23 litres)
Oil Cooler .....	Engine Oil

Thank you so much for reading.  
Please click the “Buy Now!”  
button below to download the  
complete manual.



After you pay.

You can download the most  
perfect and complete manual in  
the world immediately.

Our support email:

[ebooklibonline@outlook.com](mailto:ebooklibonline@outlook.com)