

# TABLE OF CONTENTS

## 4890 TRACTORS

SERIES	SECTION	DESCRIPTION	FORM NUMBER
<b>10</b>		<b>GENERAL</b>	
	1210	General Specifications - 4890 Tractors .....	8-22060
	1215	Lubrication - 4890 Tractors .....	8-22070
	1220	Engine Specifications - 674 Cu. In. Engine .....	8-22080
	1230	Fuel System Specifications .....	8-22090
	1250	Steering System Specifications .....	8-21530
	1260	Power Train Specifications .....	8-22100
	1270	Brake System Specifications .....	8-21550
	1280	Hydraulic System Specifications .....	8-21560
<b>20</b>		<b>ENGINE</b>	
	2201	Troubleshooting - Engine .....	8-22110
	2202	Engine Tune-Up .....	8-22120
	2210	Engine Removal .....	8-22130
	2215	Cylinder Heads, Valves and Rocker Arms .....	8-22140
	2220	Cylinder Block, Sleeves, Pistons and Rods .....	8-22150
	2225	Crankshaft and Main Bearings .....	8-22160
	2230	Camshaft, Bushings and Valve Lifters .....	8-22170
	2240	Flywheel and Rear Oil Seal .....	8-22180
	2245	Lubrication System - Pump, Cleaner and Heat Exchanger .....	8-22190
	2255	Cooling System - Water Pump and Thermostats .....	8-22200
	2265	Turbocharger .....	8-22210
	2275	Air Induction and Exhaust System .....	8-22220
	2290	Reconditioning Engine Cylinder Block .....	8-21170
<b>30</b>		<b>FUEL SYSTEM</b>	
	3210	Fuel System and Filters .....	8-22230
	3212	Fuel Injection Pump and Pump Drive .....	8-22240
	3213	Fuel Injectors - 21 MM Robert Bosch .....	8-22250
<b>40</b>		<b>ELECTRICAL</b>	
	4201	Electrical System Troubleshooting .....	8-22580
	4210	Tractor Electrical Wiring Diagram .....	8-22260
	4220	Cab Electrical Wiring Diagram (Prior to Cab SN12013067) .....	8-22510
	4220	Cab Electrical Wiring Diagram (Cab SN12013067 and After) .....	8-22890
	4225	Steering Electrical Wiring Diagram .....	8-22520
	4230	Starting Motors .....	8-21420
	4235	Battery Servicing and Testing .....	8-20290
	4240	Delco-Remy Alternator System .....	8-21430
	4280	Neutral Start Switch Adjustment .....	8-21710
<b>50</b>		<b>STEERING</b>	
	5201	Troubleshooting Solid State Selective Steering .....	8-22480
	5205	Testing Tractor Steering System .....	8-21720
	5210	Steering Column, Pump and Valve .....	8-21730
	5220	Steering Cylinder .....	8-22430
	5230	Steering Lines and Controls .....	8-21750
	5240	Rear Steering Valve .....	8-21760
	5250	Front Steering Priority Valve .....	8-21770
	5260	Rear Steering Priority Valve .....	8-21780
	5265	Rear Steering Check Valve .....	8-22000
	5280	Front and Rear Steering Adjustments .....	8-21790

<b>SERIES</b>	<b>SECTION</b>	<b>DESCRIPTION</b>	<b>FORM NUMBER</b>
<b>60</b>		<b>POWER TRAIN</b>	
	6201	Troubleshooting - RPS-34 Power Shift Transmission and PTO .....	8-20370
	6205	Testing RPS-34 Power Shift Transmission and PTO .....	8-21800
	6220	Torque Limiter Clutch .....	8-22270
	6230	RPS-34 Power Shift .....	8-22280
	6235	RPS-34 Control Valve and Linkage .....	8-21830
	6240	Four Speed Transmission .....	8-22290
	6245	Hydraulic PTO .....	8-21850
	6250	Axles and Planetaries .....	8-21860
	6260	Differentials and Drive Shifts .....	8-21870
<b>70</b>		<b>BRAKES</b>	
	7210	Brake Pedal, Master Cylinder, Service and Parking Brake .....	8-21880
<b>80</b>		<b>HYDRAULICS</b>	
	8202	Troubleshooting - Hitch System .....	8-21890
	8205	Testing Tractor Hydraulic System .....	8-21900
	8210	Hydraulic Oil Filters .....	8-21910
	8225	Hydraulic Pump .....	8-21920
	8250	Remote Hydraulic Valves .....	8-21930
	8255	Flow Divider and PTO Control Valve .....	8-21940
	8280	Hitch System .....	8-21950
	8290	Break-Away Couplings and Portable Cylinder .....	8-20640
<b>90</b>		<b>ACCESSORIES</b>	
	9205	Troubleshooting - Air Conditioning System .....	8-22300
	9215	Gauging and Testing Air Conditioning System .....	8-22310
	9225	Compressor Isolation, Removal, Installation and Evacuation - Discharging, Evacuation and Charging the A. C. System .....	8-22320
	9235	Servicing Air Conditioner Components .....	8-21990
	9245	Servicing the Cab Blower .....	8-20690
	9250	Operators Seat Adjustments .....	8-20700
	9260	Removal of Tilting Hood, Grille and Side Panels .....	8-22340
	9280	Safety Decal Location .....	8-22500
<b>100</b>		<b>HOW IT WORKS</b>	
	15201	Tractor Steering System .....	8-22020
	15205	Case Solid State Selective Steering .....	8-22490
	18201	Tractor Hydraulic System .....	8-22030
	18225	Case CON TROL Hydraulics .....	8-21350

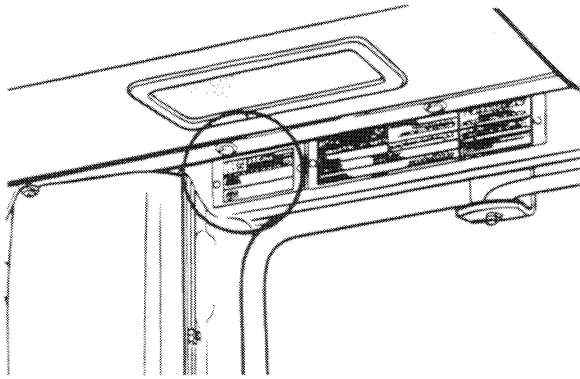
# Section 1210

## GENERAL SPECIFICATIONS

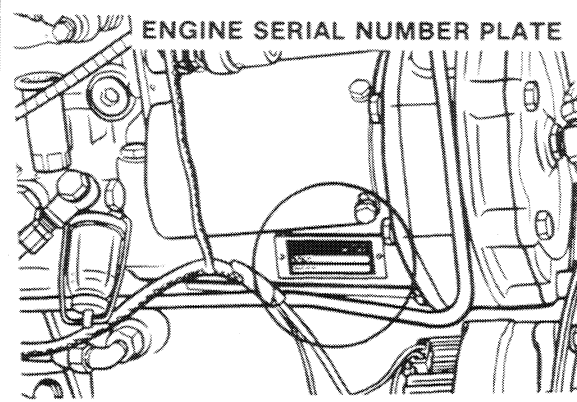
### 4890 Tractors

Written In *Clear  
And  
Simple  
English*

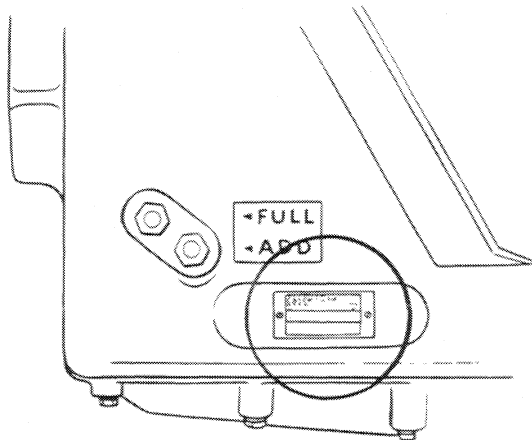
# SERIAL NUMBERS



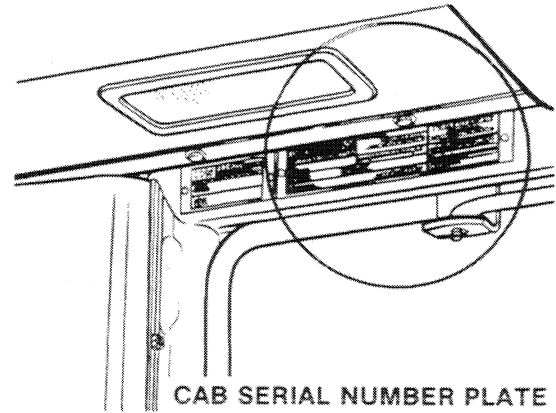
MODEL AND PRODUCT IDENTIFICATION  
NUMBER PLATE



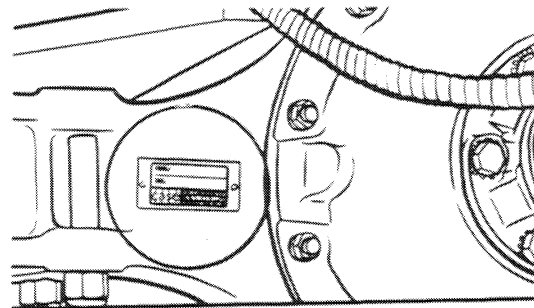
ENGINE SERIAL NUMBER PLATE



TRANSMISSION SERIAL NUMBER PLATE



CAB SERIAL NUMBER PLATE

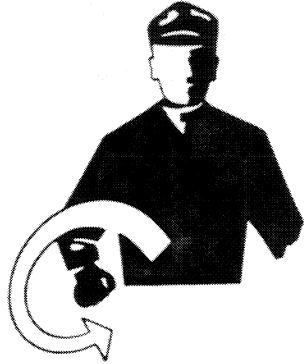


AXLE SERIAL NUMBER  
PLATE (Front and Rear)

## HAND SIGNALS

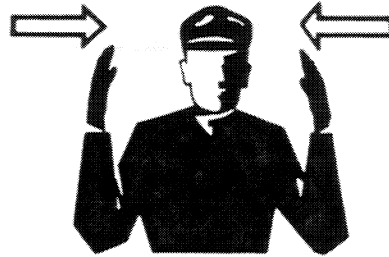
For communication under noise conditions and special operations the American Society of Agricultural Engineers has made standard agricultural hand signals. You will find that the hand signals can decrease time loss and prevent accidents.

### Start the Engine



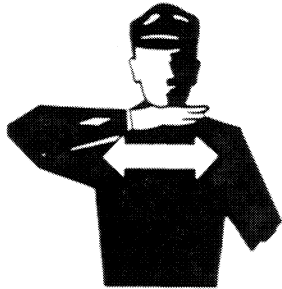
Start the engine. Move arm in a circle at belt level.

### This Far To Go



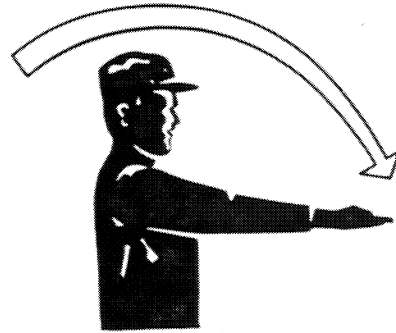
This far to go. Put your hands in front of your face with the back of your hands outward. Move your hands in or out as an indication how far to go.

### Stop the Engine



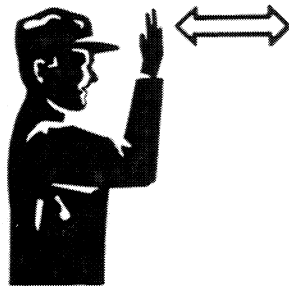
Stop the engine. Move your right arm across your neck from left to right.

### Move Out



Move out. Face in the needed direction of movement. Put your arm straight out behind you. Then, swing your arm over your head and forward until your arm is straight out in front of you with the back of your hand up.

### Move Toward Me - Follow Me



Move toward me or follow me. Look toward person or vehicle you need to move. Hold one hand in front of you with the back of the hand toward the vehicle and move your arm from the elbow to the fingers backward and forward.

Thank you so much for reading.  
Please click the “Buy Now!”  
button below to download the  
complete manual.



After you pay.

You can download the most  
perfect and complete manual in  
the world immediately.

Our support email:

[ebooklibonline@outlook.com](mailto:ebooklibonline@outlook.com)