

TABLE OF CONTENTS

4994 TRACTOR

SERIES	SECTION	DESCRIPTION	FORM NUMBER
10		GENERAL	
	1210	General Specifications	8-25750
	1215	Lubrication	8-25760
	1220	Engine Specifications - 14 Litre	8-25620
	1230	Fuel System Specifications	8-25630
	1260	Power Train Specifications	8-25900
	1270	Brake System Specifications	8-25910
20		ENGINE	
	2201	Troubleshooting - Engine	8-25670
	2202	Engine Tune-Up	8-24980
	2210	Engine Removal	8-25740
	2215	Cylinder Heads, Valves and Rocker Arms	8-24990
	2220	Cylinder Block, Sleeves, Pistons and Rods	8-25000
	2225	Crankshaft and Main Bearings	8-25010
	2230	Camshaft, Bushings and Valve Lifters	8-25020
	2240	Flywheel and Rear Oil Seal	8-25030
	2245	Lubrication System - Pump, Oil Cleaner and Heat Exchanger	8-25040
	2255	Cooling System	8-25050
	2265	Turbocharger	8-25060
	2275	Air Induction and Exhaust System	8-25070
	2565	Turbocharger - Failure Analysis	9-78235
30		FUEL SYSTEM	
	3210	Fuel System and Filters	8-25080
	3212	Fuel Injection Pump	8-25090
	3213	Fuel Injectors	8-25100
	3240	Electric Fuel Pump	8-25460
40		ELECTRICAL	
	4201	Electrical System Troubleshooting	8-25590
	4205	Instrument Cluster Troubleshooting	8-25280
	4210	Tractor Electrical Wiring Diagram	8-25250
	4214	Electrical Troubleshooting 12 Speed Power Shift Transmission	8-25270
	4220	Cab Electrical Wiring Diagram	8-25260
	4225	Steering Wiring Diagram	8-25290
	4230	Starting Motor	8-25680
	4235	Battery Servicing and Testing	8-20291
	4240	Alternator	8-25690
50		STEERING	
	5201	Troubleshooting and Adjusting the Steering System	8-25640
	5210	Steering Column, Pump and Valve	8-25480
	5220	Steering Cylinder	8-25490
	5240	Rear Steering System Valves	8-25430
	5250	Front Steering Priority Valve	8-25470
	5270	Rear Steering Oil Filters	8-25450

Reprinted

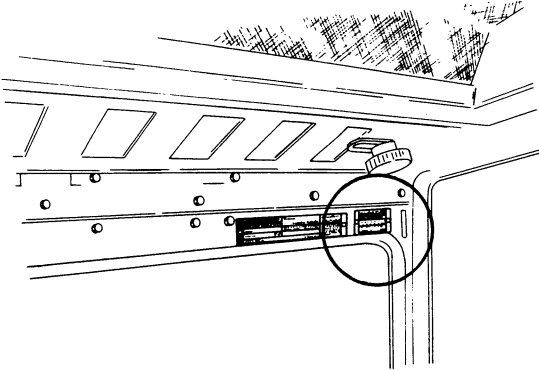
SERIES	SECTION	DESCRIPTION	FORM NUMBER
60		POWER TRAIN	
	6210	Transmission Removal	8-25810
	6240	Power Shift Transmission	8-24560
	6245	Hydraulic PTO	8-25330
	6250	Axles and Planetaries	8-25160
6260	Differentials and Drive Shifts	8-25170	
70		BRAKES	
	7210	Service and Parking Brake	8-25530
7220	Brake Pedal and Master Cylinder	8-25360	
80		HYDRAULICS	
	8210	Hydraulic Oil Filters	8-25440
	8220	Hydraulic Charge Pump	8-25320
	8225	Hydraulic Pump	8-25210
	8250	Remote Hydraulic Valves	8-25370
	8260	Transmission Flow Divider Valve	8-25400
8265	Hydraulic System Pressure Inducer Valve	8-25410	
90		CHASSIS and ACCESSORIES	
	9205	Troubleshooting Air Conditioning System	8-25650
	9215	Gauge and Testing Air Conditioning System	8-25660
	9225	Compressor Isolation, Charging and Discharging A/C System	8-25700
	9235	Servicing Air Conditioner Components	8-25710
	9245	Servicing the Cab Blower	8-25580
	9250	Operators Seat	8-25510
	9260	Hood Removal and Alignment	8-25420
	9265	Hood Lifting Hand Pump	8-25500
9270	Cab Removal	8-25800	
9290	Safety Decal Location	8-25570	
100		HOW IT WORKS	
14205	Digital Instrument Cluster	8-25110	

Section 1210

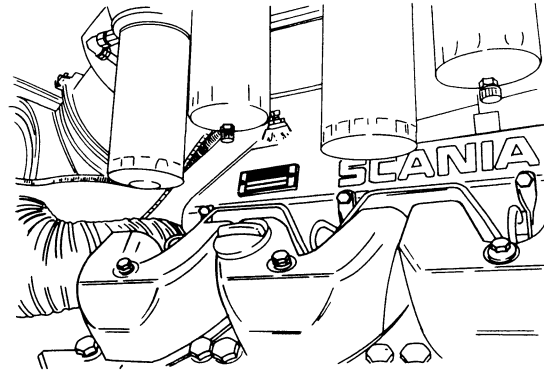
GENERAL SPECIFICATIONS

Written In *Clear
And
Simple
English*

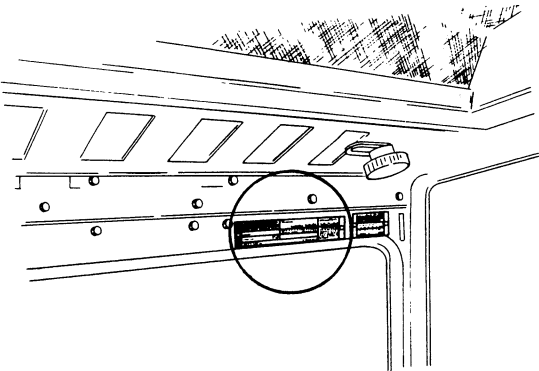
SERIAL NUMBERS



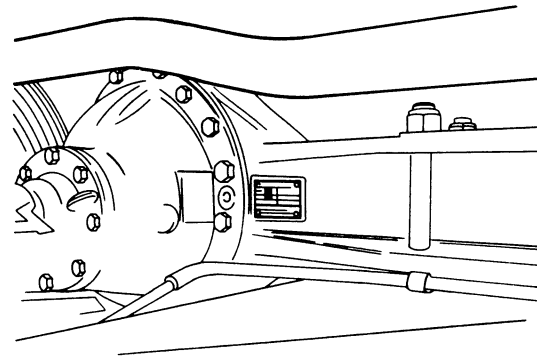
MODEL AND PRODUCT IDENTIFICATION NUMBER PLATE



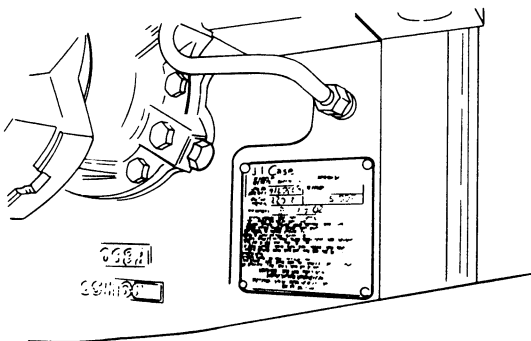
ENGINE SERIAL NUMBER PLATE



CAB SERIAL NUMBER PLATE



AXLE SERIAL NUMBER PLATE (Front and Rear)



TRANSMISSION SERIAL NUMBER PLATE

DIESEL ENGINE SPECIFICATIONS

General

Type	Eight Cylinder, Four Stroke Cycle, Turbocharged, Valve in Cylinder Head
Firing Order	1-5-4-2-6-3-7-8
Bore	5 Inches (127 mm)
Stroke	5.51 Inches (145 mm)
Piston Displacement	866 Cubic Inches (14 191 cm ³)
Compression Ratio	15.5 to 1
Cylinder Sleeves	Wet Type, Can be Removed
Governor Engine Speed Without Load	2300 to 2400 RPM
Rated Engine Speed	2100 RPM
Engine Idle Speed	750 RPM
Rocker Arm-to-Valve Clearance (Exhaust)	0.031 Inch (0.80 mm)
(Intake)	0.018 Inch (0.45 mm)

IMPORTANT: *Rocker Arm-to-Valve clearance adjustment must be made when the engine is not running.*

Piston and Rod

Rings Per Piston	3
Compression Rings Per Piston	2
Oil Rings Per Piston	1
Type Piston Pin	Full Float
Type Bearings	Replacement Bearings Available, Steel Back with Lead-Bronze liners.

Main Bearings

Number of Bearings	5
Type of Bearings	Replacement Bearings Available, Steel Back with Lead-Bronze Liners.

Thank you so much for reading.
Please click the “Buy Now!”
button below to download the
complete manual.



After you pay.

You can download the most
perfect and complete manual in
the world immediately.

Our support email:

ebooklibonline@outlook.com