

TABLE OF CONTENTS

4894 TRACTOR

SERIES	SECTION	DESCRIPTION	FORM NUMBER
10	GENERAL		
	1210	General Specifications	8-26320
	1215	Lubrication	8-26290
	1220	Engine Specifications	8-22080
	1230	Fuel System Specifications	8-22090
	1250	Steering System Specifications	8-21530
	1260	Power Train Specifications	8-26380
	1270	Brake System Specifications	8-27350
	1280	Hydraulic System Specifications	8-21560
20	ENGINES		
	2110	Engine, Front Axle and Transmission Removal	8-23071
	2201	Troubleshooting - Engine	8-22110
	2202	Engine Tune-Up	8-22120
	2215	Cylinder Head, Valves and Rocker Arms	8-22140
	2220	Cylinder Block, Sleeves, Pistons and Rods	8-22150
	2225	Crankshaft and Main Bearings	8-22160
	2230	Camshaft, Bushings and Valve Lifters	8-22170
	2240	Flywheel and Rear Oil Seal	8-22180
	2245	Lubrication System - Oil Pump, Cleaner and Heat Exchanger	8-22190
	2255	Cooling System	8-22200
	2265	Turbocharger	8-22210
	2275	Air Induction and Exhaust System	8-22220
	2290	Reconditioning Engine Cylinder Block	8-21170
	2565	Turbocharger Failure Analysis	9-78235
30	FUEL SYSTEM		
	3210	Fuel System and Filters	8-22230
	3212	Fuel Injection Pump and Pump Drive	8-22240
	3213	Robert Bosch Fuel Injectors	8-22250
40	ELECTRICAL		
	4201	Electrical System Troubleshooting	8-25590
	4205	Instrument Cluster Troubleshooting	8-26360
	4210	Tractor Electrical Wiring Diagram	8-25860
	4220	Cab Electrical Wiring Diagram	8-25260
	4225	Steering Electrical Wiring Diagram	8-25870
	4226	Hitch Electrical Wiring Diagram	8-23300
	4230	Starting Motor	8-21420
	4235	Battery Servicing and Testing	8-20291
	4240	Alternator System	8-25690
	4280	Neutral Start Switches	8-21710
50	STEERING		
	5203	Electronic Steering System	8-23700
	5205	Testing Tractor Steering System	8-21720
	5210	Steering Column, Pump and Valve	8-21730
	5220	Steering Cylinders	8-22430
	5230	Steering Lines and Controls	8-21750
	5240	Rear Steering Valve	8-21760
	5250	Front Steering Priority Valve	8-21770
	5260	Rear Steering Priority Valve	8-21780
	5265	Rear Steering Check Valve	8-26430
	5280	Front and Rear Steering Adjustments	8-21790

TABLE OF CONTENTS

4894 TRACTOR

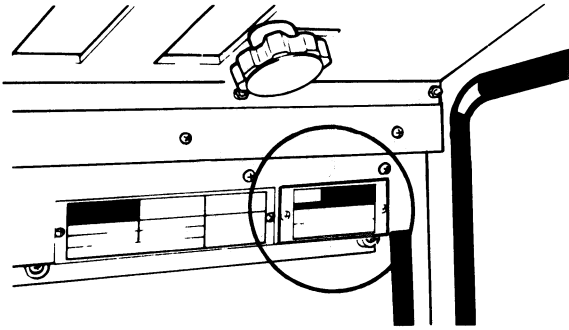
SERIES	SECTION	DESCRIPTION	FORM NUMBER
60		POWER TRAIN	
	6220	Torque Limiter Clutch	8-22270
	6230	Power Shift	8-22280
	6235	Power Shift Control Valve and Linkage	8-25140
	6236	Power Shift Solenoid	8-26000
	6240	Four Speed Transmission	8-25960
	6245	Hydraulic PTO	8-21850
	6250	Axles and Planetaries	8-25930
	6260	Differentials and Drive Shafts	8-21871
	6261	No-Spin Front Differential and Drive Shaft	8-25970
70		BRAKES	
	7210	Brake Pedal, Parking Brake and Tractor Brake	8-26020
	7220	Brake Valve	8-26030
80		HYDRAULIC	
	8202	Troubleshooting Hitch System	8-21890
	8203	Hitch Alignment	8-23311
	8205	Testing Tractor Hydraulic System	8-21900
	8210	Hydraulic Oil Filters	8-21910
	8225	Hydraulic Pump	8-21920
	8250	Remote Hydraulic Valves	8-25370
	8255	Flow Divider and PTO Control Valve	8-21940
	8281	Hitch System	8-23240
	8282	Hitch System	8-26350
	8290	Break-Away Couplings and Portable Cylinders	8-20640
90		ACCESSORIES	
	9205	Troubleshooting Air Conditioning System	8-22300
	9215	Gauging and Testing Air Conditioning System	8-22310
	9225	Compressor Isolation, Removal, Installation and Excavation - Discharging, Evacuation, and Charging the A C System	8-22320
	9235	Servicing Air Conditioner Components	8-21990
	9245	Servicing the Cab Blower	8-25580
	9250	Operators Seat	8-25511
	9260	Hood Removal and Alignment	8-26010
	9280	Pedal and Lever Adjustments	8-26310
	9290	Safety Decal Location	8-26210
100		HOW IT WORKS	
	14205	Digital Instrument Cluster	8-25111
	16430	Electrically Actuated and Hydraulic Operated 12 Speed Power Shift	8-26300
	18225	Case CON TROL Hydraulics	8-21350

Section 1210

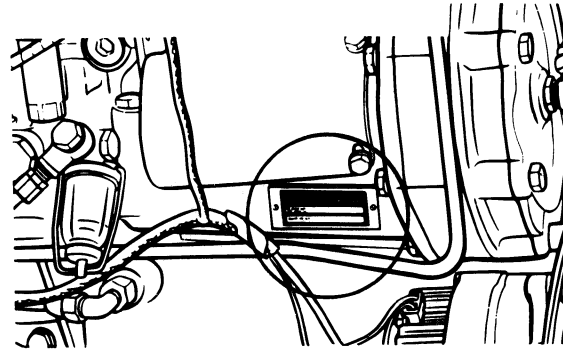
GENERAL SPECIFICATIONS

Written In *Clear
And
Simple
English*

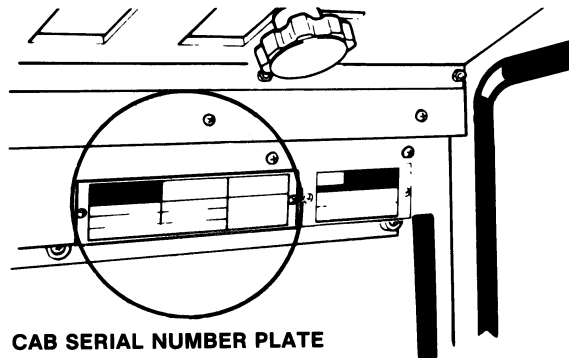
SERIAL NUMBERS



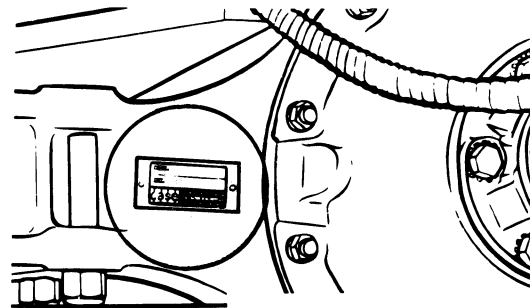
**MODEL AND PRODUCT IDENTIFICATION
NUMBER PLATE**



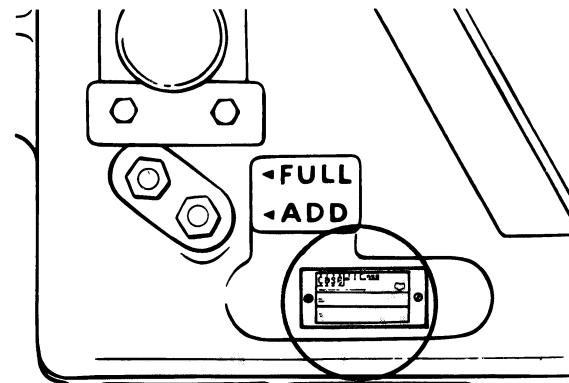
ENGINE SERIAL NUMBER PLATE



CAB SERIAL NUMBER PLATE



**AXLE SERIAL NUMBER
PLATE (Front and Rear)**



TRANSMISSION SERIAL NUMBER PLATE

DIESEL ENGINE SPECIFICATIONS

General

Type	Six Cylinder, Four Stroke Cycle, Turbocharged, Valve in Cylinder Head
Firing Order	1-5-3-6-2-4
Bore	5 Inches (127 mm)
Stroke	5 71 Inches (145 mm)
Piston Displacement	674 Cubic Inches (11 045 cm ³)
Compression Ratio	15 to 1
Cylinder Sleeves	Wet Type, Can be Removed
Governor Engine Speed Without Load	2400 to 2500 RPM
Rated Engine Speed	2200 RPM
Engine Idle Speed	750 RPM
Rocker Arm-to-Valve Clearance (Exhaust)	0 031 Inch (0 80 mm)
(Intake)	0 018 Inch (0 45 mm)

IMPORTANT: *Rocker Arm-to-Valve clearance adjustment must be made when the engine is not running*

Piston and Rod

Rings Per Piston	4
Compression Rings Per Piston	3
Oil Rings Per Piston	1
Type Piston Pin	Full Float
Type Bearings	Replacement Bearings Available, Steel Back with Lead-Bronze Liners

Main Bearings

Number of Bearings	7
Type of Bearings	Replacement Bearings Available, Steel Back With Lead-Bronze Liners

Thank you so much for reading.
Please click the “Buy Now!”
button below to download the
complete manual.



After you pay.

You can download the most
perfect and complete manual in
the world immediately.

Our support email:

ebooklibonline@outlook.com