

TABLE OF CONTENTS

3394 AND 3594 TRACTORS

SERIES	SECTION	DESCRIPTION	FORM NUMBER
10	GENERAL		
	1210	General Specifications	8-27430
	1212	Lubrication	8-27450
	1220	Engine Specifications - 504BDT Engine	8-20841
	1230	Fuel System Specifications	8-20851
	1250	Steering System Specifications	8-24920
	1260	Power Train Specifications	8-24930
	1270	Brake System Specifications	8-24880
	1280	Hydraulic System Specifications	8-24890
20	ENGINES		
	2201	Troubleshooting - Engine	8-20111
	2202	Engine Tune-Up	8-20120
	2210	Tractor Split (Between Engine and Torque Tube)	8-20900
	2215	Cylinder Head, Valve Train and Camshaft	8-20140
	2225	Cylinder Block, Sleeves, Pistons and Rods	8-20150
	2235	Crankshaft, Main Bearings, Flywheel and Oil Seals	8-20160
	2245	Lubrication System - Oil Pump, Oil Pan and Heat Exchanger	8-20910
	2255	Cooling System	8-20180
	2265	Turbocharger - T04B	8-20190
	2565	Turbocharger - Failure Analysis	9-78235
	2275	Air Induction System	8-20920
	2290	Reconditioning Engine Cylinder Block	8-21170
30	FUEL SYSTEM		
	3210	Fuel System and Filters	8-20220
	3212	Robert Bosch Fuel Injection Pumps	8-20230
	3213	American Bosch Fuel Injectors	8-20240
40	ELECTRICAL		
	4201	Electrical System Troubleshooting	8-26500
	4205	Instrument Cluster Troubleshooting	8-26470
	4210	Tractor Electrical Wiring Diagram	8-24360
	4215	Power Shift Electrical Wiring Diagram	8-24342
	4220	Cab Electrical Wiring Diagram	8-24371
	4230	Starting Motors	8-25980
	4235	Battery Servicing and Testing	8-20291
	4240	Delco-Remy Alternator System	8-25690
	4280	Neutral Start Switch Adjustment and Correct Starting Procedure Using Booster Batteries	8-20310
50	STEERING		
	5205	Testing Tractor Steering System	8-27360
	5210	Steering Column, Pump and Valve	8-20341
	5250	Flow Divider	8-27370

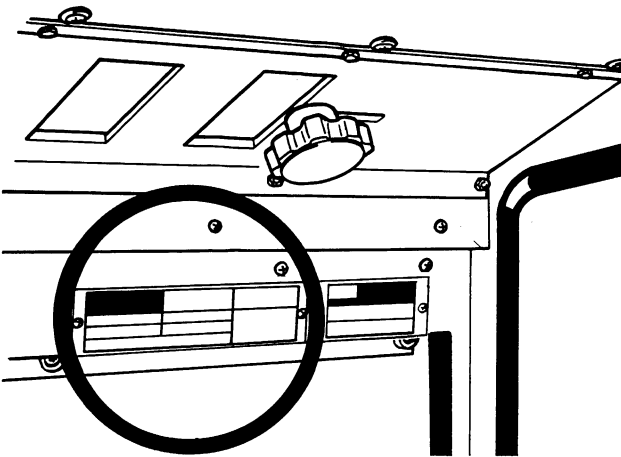
Reprinted

SERIES	SECTION	DESCRIPTION	FORM NUMBER
60		POWER TRAIN	
	6205	Troubleshooting - Power Shift Transmission	8-26780
	6210	Tractor Split (Between Torque Tube and Transmission)	8-27030
	6220	Torque Limiter Clutch	8-20980
	6325	Hydraulic Pump Drive	8-24140
	6230	Power Shift	8-27040
	6231	High/Low Range (24 Speed Transmission)	8-24030
	6235	Power Shift Control Valve and Linkage	8-24660
	6236	High/Low Range Solenoid (24 Speed Transmission)	8-24712
	6240	Four Speed Transmission	8-27050
	6241	Transfer Gear Box	8-27060
	6245	Hydraulic PTO	8-21030
	6251	Rear Axles and Planetaries	8-24390
	6255	Differential and Differential Lock	8-21050
	6260	Front Axle Differential and Steering Cylinder	8-26711
	6265	Front Axle and Planetary - 3394 Tractor	8-26720
	6365	Front Axle and Planetary - 3594 Tractor	8-27090
70		BRAKES	
	7210	Brake Pressure Regulator Valve	8-24670
	7215	Park Lock System	8-21070
	7220	Brake Cylinder	8-21080
	7240	Brake Valve	8-24470
80		HYDRAULIC	
	8202	Troubleshooting - Hitch System	8-21090
	8205	Testing Tractor Hydraulic System	8-26631
	8210	Hydraulic Oil Filter	8-27380
	8220	Hydraulic Charging Pump	8-21120
	8225	Hydraulic Pump	8-20601
	8250	Remote Hydraulic Valves	8-27320
	8255	Flow Divider and PTO Control Valve	8-21140
	8260	Differential Lock Solenoid	8-24690
	8280	Hitch System	8-21151
	8290	Break-Away Couplings and Portable Cylinder	8-20640
90		ACCESSORIES	
	9205	Troubleshooting - Air Conditioning System	8-20650
	9215	Gauging and Testing Air Conditioning System	8-20660
	9225	Compressor Isolation, Removal, Installation and Evacuation - Discharging, Evacuation and Charging the Air Conditioning System	8-20670
	9235	Servicing Air Conditioner Components	8-24770
	9245	Servicing the Cab Blower	8-25580
	9250	Operator Seat Adjustments - Non Air/Oil	8-24750
	9250	Operators Seat - Air/Oil	8-25511
	9260	Removal of Hood, Grill and Side Panels	8-20710
	9270	Cab Removal	8-24511
	9280	Pedal and Lever Adjustments	8-24680
100		HOW IT WORKS	
	14205	Digital Instrument Cluster	8-26550
	16430	Electrically Actuated and Hydraulic Operated 12 and 24 Speed Power Shift	8-24731
	18225	Case CON TROL Hydraulic	8-21350

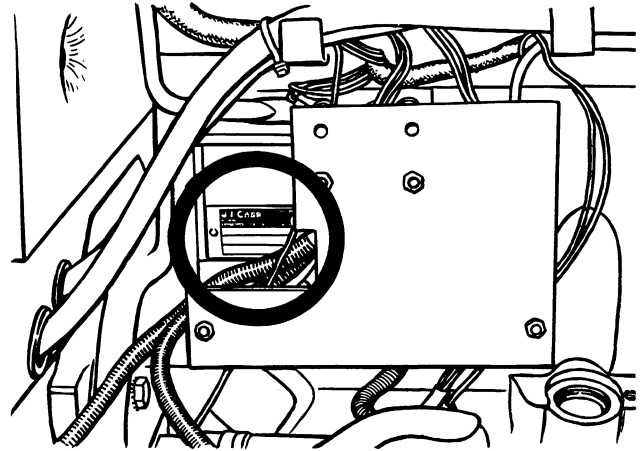
Section 1210

GENERAL SPECIFICATIONS

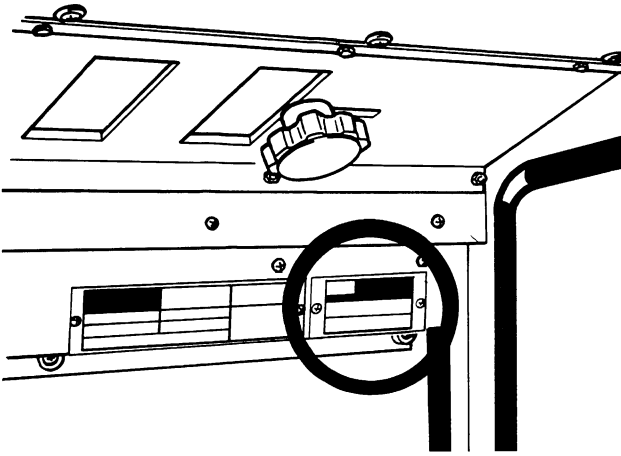
SERIAL NUMBERS



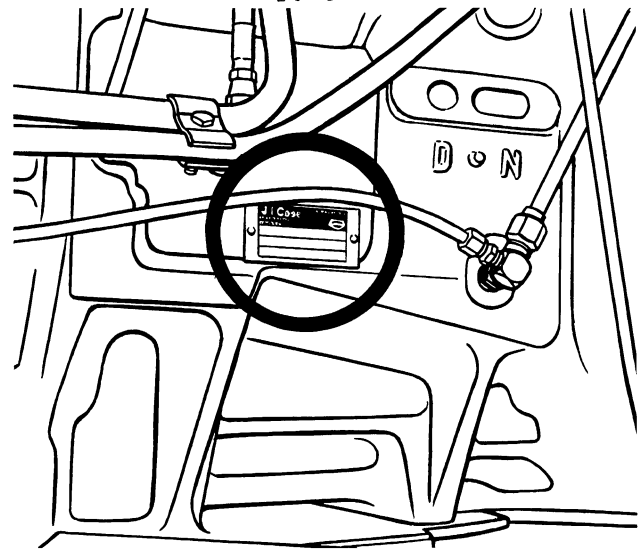
CAB SERIAL NUMBER PLATE



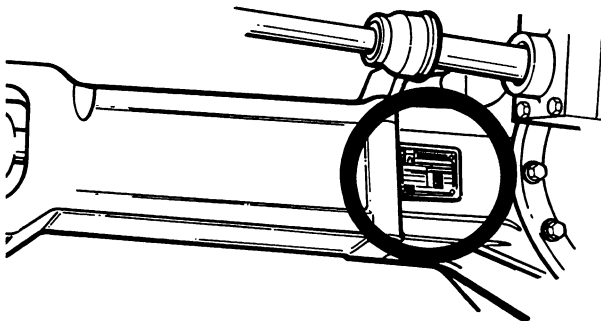
ENGINE SERIAL NUMBER PLATE



**MODEL AND PRODUCT IDENTIFICATION
NUMBER PLATE**



TRANSMISSION SERIAL NUMBER PLATE



AXLE SERIAL NUMBER

DIESEL ENGINE SPECIFICATIONS

General

Type	Six Cylinder, Four Stroke Cycle, Turbocharged, Valve In Cylinder Head
Firing Order	1-5-3-6-2-4
Bore	4-5/8 inch (117.5 mm)
Stroke	5 inch (127 mm)
Piston Displacement	504 Cubic inch (8 259 cm ³)
Compression Ratio	15.8 to 1
Cylinder Sleeves	Wet Type, Can Be Removed
Governor Engine Speed Without Load	2280 to 2320 RPM
Rated Engine Speed	2100 RPM
Engine Idle Speed	725 to 775 RPM
Rocker Arm to Valve Clearance, Cold (Exhaust)	0.025 inch (0.635 mm)
(Intake)	0.015 inch (0.381 mm)

IMPORTANT: *Rocker arm to valve clearance adjustment must be made when the engine is not running.*

Crankshaft

Main Bearing Journal Diameter	3.5 inch (88.9 mm)
Rod Bearing Journal Diameter	3.0 inch (76.2 mm)

Piston And Rod

Rings Per Piston	3
Compression Rings Per Piston	2
Oil Rings Per Piston	1
Type of Piston Pin	Full Float
Type of Bearings	Replacement Bearings Available, Steel Back With Aluminum or Copper and Lead Liners

Main Bearings

Quantity of Bearings	7
Type of Bearings	Replacement Bearings Available, Steel Back With Aluminum or Copper and Lead Liners

Thank you so much for reading.
Please click the “Buy Now!”
button below to download the
complete manual.



After you pay.

You can download the most
perfect and complete manual in
the world immediately.

Our support email:

ebooklibonline@outlook.com