

2

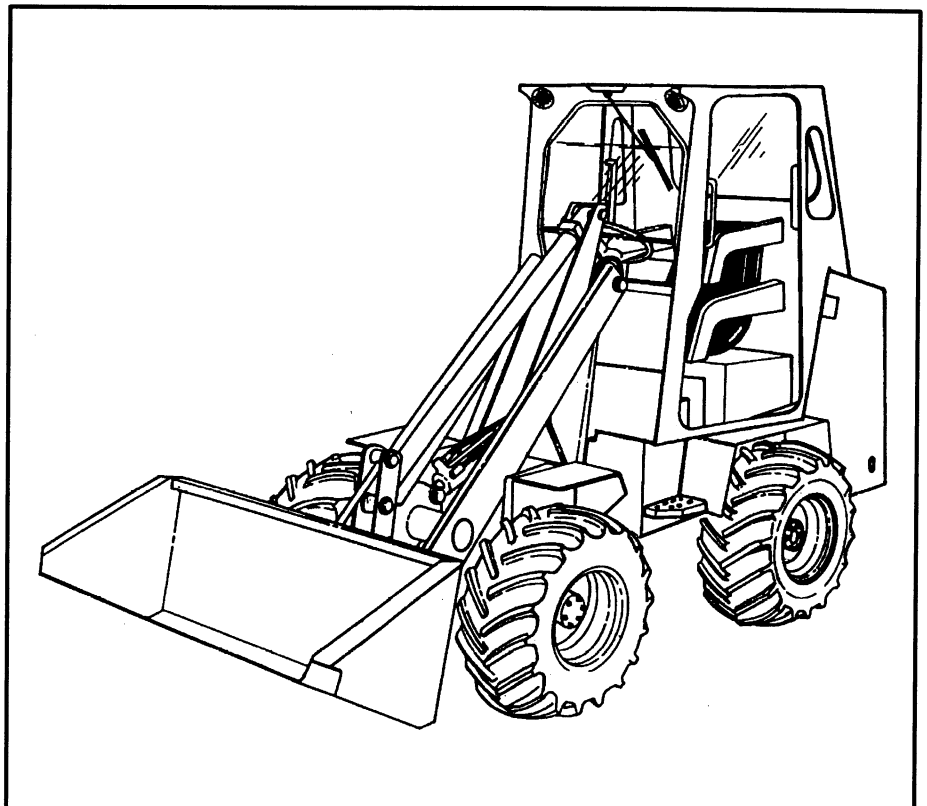
0

0

0



Service Manual



FOREWORD

This manual gives instruction for correct servicing and adjustment of the Bobcat loader and overhaul instructions of the drive system, loader hydraulic/hydrostatic system and general main frame parts.

Refer to the Operator's Manual for operating instructions (Starting Procedure, Daily Checks, Bucket Operation, etc.).

A general inspection of the following items must be made whenever the loader has had service or repair:

1. Check hydraulic fluid level, engine oil level and fuel supply.
2. Inspect for any sign of fuel, oil or hydraulic fluid leaks.
3. Lubricate the loader.
4. Check battery condition and cables.
5. Inspect air cleaner for damage or leaks. Check element and replace as needed.
6. Check electrical charging system.
7. Check the warning lights.
8. Check tires for wear and pressure.
9. Check the Bob-Tach attachment for condition. Inspect the wedges for damage or wear.
10. Inspect Operator Cab, Seat Belt, Seat Bar, Safety Treads, Lights, Horn, Safety Signs (Decals), Brake, etc.
11. Inspect for loose or broken parts or connections.
12. Operate the loader and check all functions.
13. Inform the Owner/Operator of any items that need service.

PREVENTIVE
MAINTENANCE

HYDRAULIC
SYSTEM

HYDROSTATIC
SYSTEM

DRIVE
SYSTEM

MAIN
FRAME

ELECTRICAL
SYSTEM

ENGINE
SERVICE

TECHNICAL
DATA

CONTENTS

| | |
|--|-----|
| SAFETY INSTRUCTIONS | i |
| FIRE PREVENTION | ii |
| SERIAL NUMBER LOCATIONS | iii |
| ARRIVAL CONDITION REPORT | iii |
| DELIVERY REPORT | iii |
| BOBCAT LOADER IDENTIFICATION | iv |
| PREVENTIVE MAINTENANCE | 1 |
| HYDRAULIC SYSTEM | 2 |
| HYDROSTATIC SYSTEM | 3 |
| DRIVE SYSTEM | 4 |
| MAIN FRAME | 5 |
| ELECTRICAL SYSTEM | 6 |
| ENGINE SERVICE | 7 |
| SPECIFICATIONS | 8 |
| TECHNICAL DATA | 9 |

Thank you so much for reading.
Please click the “Buy Now!”
button below to download the
complete manual.



After you pay.

You can download the most
perfect and complete manual in
the world immediately.

Our support email:

ebooklibonline@outlook.com