

3

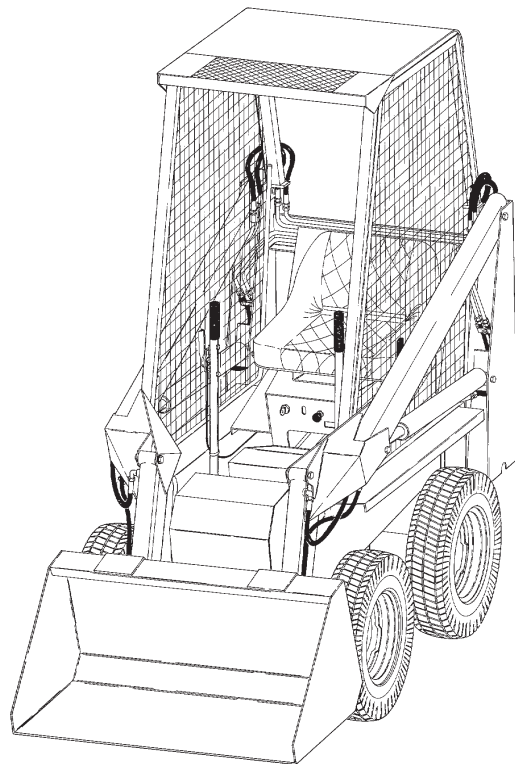
7

1



Service Manual

(Gasoline & L.P. Gas)



MELROE
INGERSOLL-RAND

6545574(2-84)

Printed in U.S.A.



© Melroe Company 1984

FOREWORD

**ROUTINE
SERVICING**

**MAJOR
OVERHAUL**

This manual is written in two parts: To provide instruction for proper routine servicing and adjustments of the Bobcat such as the 50 hour check and regularly scheduled periodic inspections established by the Service Schedule, and to provide detailed overhaul instructions of the power train, loader hydraulic system and general machine main frame components.

Refer to the Owners Manual for general operating instructions (Starting Procedure, Daily Checks, Bucket Operation, Minor Maintenance, etc).

INSPECTION:

A general inspection of the following items should be made whenever the machine has been serviced or repaired:

1. Check hydraulic fluid level, engine oil level and fuel supply.
2. Check for any sign of fuel, oil or hydraulic fluid leaks.
3. Lubricate the machine.
4. Check battery condition, electrolyte level and cables.
5. Check air cleaner for damage or leaks. Check element and replace if necessary.
6. Check transmission drive belt and hydraulic drive belt for wear and tension.
7. Check tires for wear and pressure.
8. Check Bob-Tach wedges for condition.
9. Check safety items for condition. (Operator Protective Guard, Seat Belt, Safety Treads on steps, Boom Stop).
10. Make a visual inspection for loose or broken parts or connections.

Advise the owner if any of the above items require service or repair.

ROUTINE SERVICING

ENGINE SERVICE	3
GENERAL MAINTENANCE	1
HYDRAULIC SYSTEM SERVICE	13
TRACTION DRIVE SYSTEM SERVICE	21

**ROUTINE
SERVICING**

ENGINE

**GENERAL
MAIN**

**HYDR
SYSTEM**

**DRIVE
SYSTEM**

GENERAL MAINTENANCE

Lubrication Points 1
Service Schedule 2
Tire Service 1

**GENERAL
MAIN**

TIRE INFLATION

Inflate the 5:70-16 x 12 tires to 50 PSI maximum. Do not allow the pressure to go lower than 40 PSI or the machine will be hard to turn and tire wear will be much greater.

Inflate 23:00-8.50 x 12 flotation tires to 20-25 PSI. These tires may be inflated to 50 PSI for road travel, or to provide easier steering and more efficient operation on hard surfaces.

TIRE ROTATION

If both rear or front tires wear excessively, rotate them to the opposite end of the machine as shown in Fig. 1. Excessive wear can be caused by improper tire inflation or by operating the machine with the front wheels held off the ground by the bucket.

TIRE REPLACEMENT

If you need to replace a damaged or worn tire, it is important that the replacement be the same size as the tires still on the Bobcat. Two different size tires on the same side of the machine will cause undue drive chain and tire wear, and loss of power. To replace two worn tires, install the new ones on the same side of the machine. Put the two used tires on the opposite side.

If tires slip on the rim while loading bucket, increase inflation pressure slightly and be sure to keep all four wheels on the ground while loading.

LUBRICATION

Fig. 2 shows the grease fitting locations. Use a good lithium base grease on all fittings.

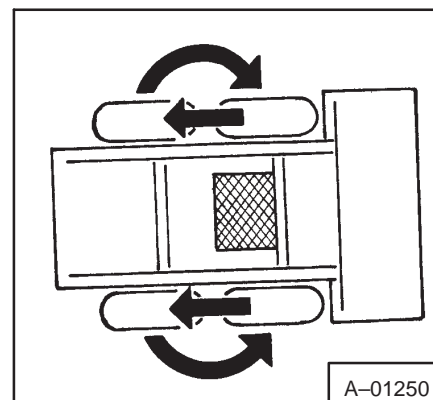


Fig. 1 Tire Rotation

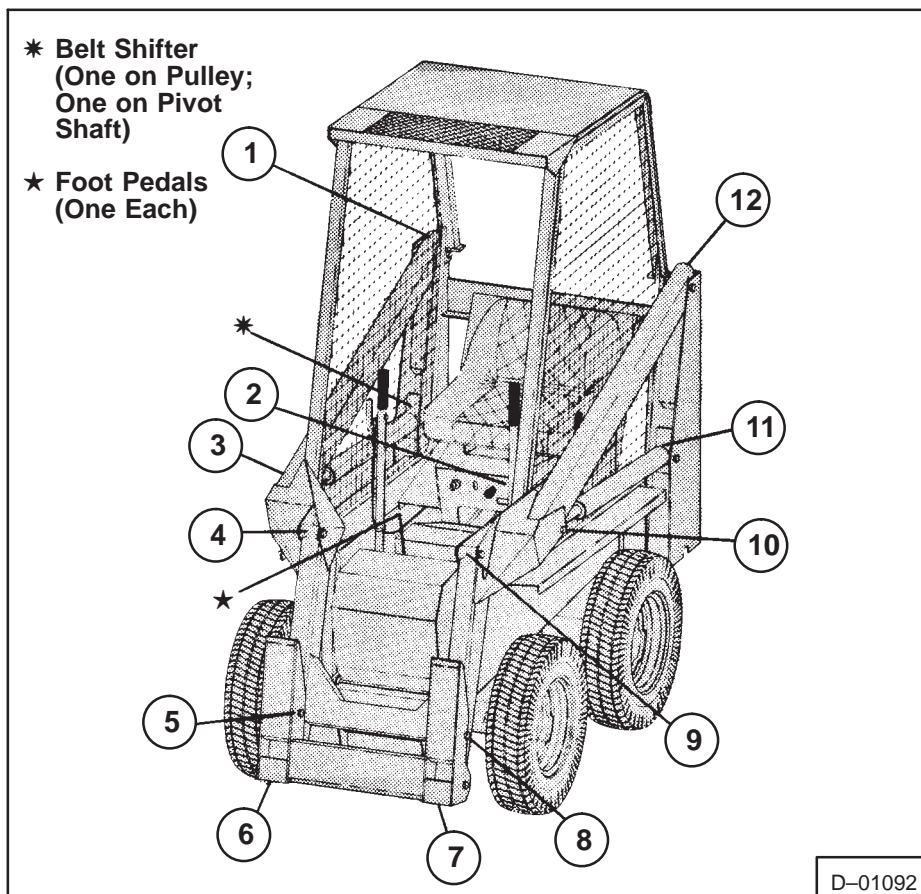


Fig. 2 Lubrication Points

Thank you so much for reading.
Please click the “Buy Now!”
button below to download the
complete manual.



After you pay.

You can download the most
perfect and complete manual in
the world immediately.

Our support email:

ebooklibonline@outlook.com