

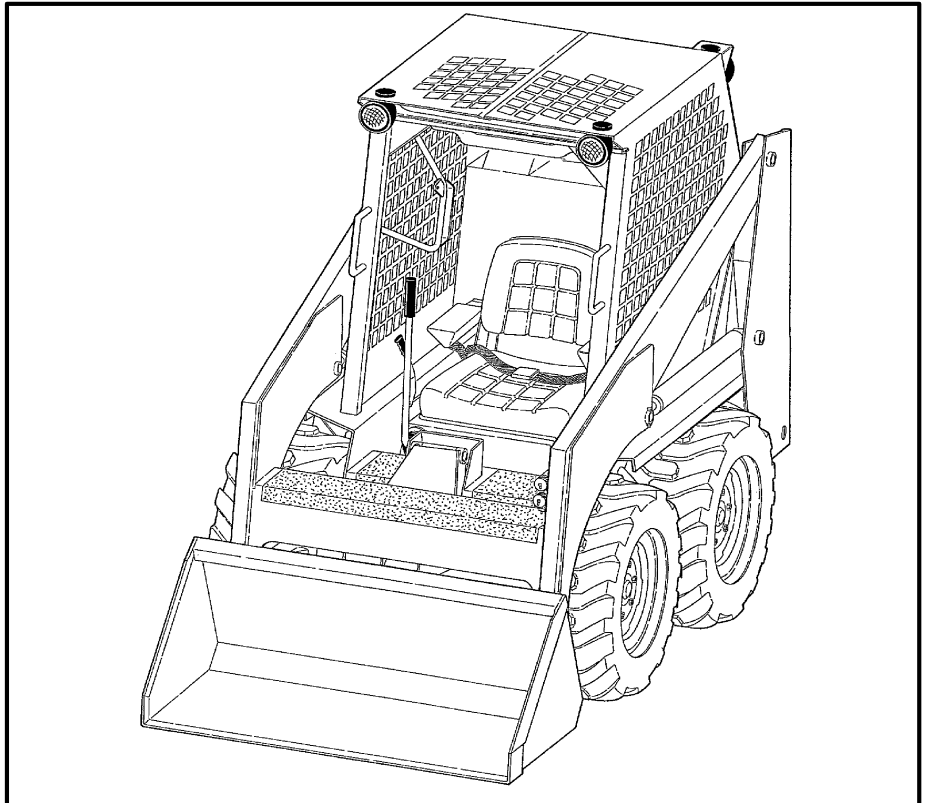
5
2
0

5
3
0

5
3
3



Service Manual



MELROE
INGERSOLL-RAND

6556407(3-87)

Printed in U.S.A.



© Melroe Company 1987

FORWARD

This manual gives instructions for:

1. Correct service and adjustment of the Bobcat Loader.
2. Overhaul instructions of the engine, loader hydraulic/hydrostatic system and mainframe parts.

See the Owner's Manual for operating instructions (Starting Procedure, Regular Checks, Basic Maintenance, etc.).

Make a complete inspection of these items after completion of service or repair:

1. Check the hydraulic fluid level, engine oil level, fuel supply, and coolant level.
2. Look for any sign of fuel, oil or hydraulic fluid leaks.
3. Complete lubrication of the machine.
4. Check the battery condition, electrolyte level and cables.
5. Check the air cleaner system for damage or leaks. Check the element and replace if necessary.
6. Check the electrical system.
7. Check the warning lamps.
8. Check the tires for wear and correct pressure.
9. Check the Bob-Tach attachment for condition. Check the wedges for damage or wear.
10. Check all safety items for condition (Operator Enclosure, Seat Belt, Safety Treads, Lamps, Parking Brake, etc.).
11. Make a visual inspection for loose or broken parts or connections.
12. Operate the loader, and check operation of drive system and hydraulic system.

Tell the owner if any of the above items are in need of repair.

CONTENTS

ALPHABETICAL INDEX	10-1
ELECTRICAL SYSTEM	6-1
ENGINE SERVICE (520/530)	7-1
ENGINE SERVICE (533)	8-1
HYDRAULIC SYSTEM	2-1
HYDROSTATIC SYSTEM	3-1
MAIN FRAME	5-1
DRIVE SYSTEM	4-1
PREVENTIVE MAINTENANCE	1-1
TECHNICAL DATA	9-1

PREVENTIVE
MAINTENANCE

HYDRAULIC
SYSTEM

HYDROSTATIC
SYSTEM

DRIVE
SYSTEM

MAIN FRAME

ELECTRICAL
SYSTEM

ENGINE SERVICE
(520, 530)

ENGINE SERVICE
(533)

TECHNICAL
DATA

ALPHABETICAL
INDEX

Thank you so much for reading.
Please click the “Buy Now!”
button below to download the
complete manual.



After you pay.

You can download the most
perfect and complete manual in
the world immediately.

Our support email:

ebooklibonline@outlook.com