

5

4

0

5

4

3

B

5

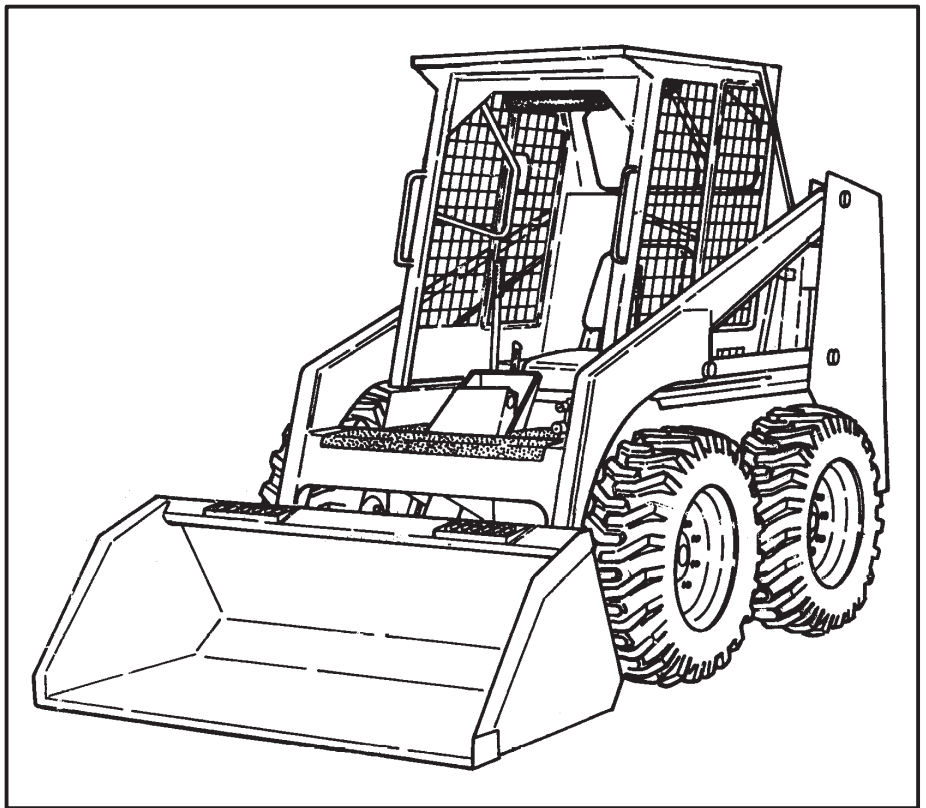
4

3



Service Manual

540 (S/N 501012001 & Above)
543 (S/N 502412001 & Above)
543B (S/N 511111001 & Above)



CONTENTS

DRIVE SYSTEM	4
ELECTRICAL SYSTEM	6
ENGINE SERVICE	7
HYDRAULIC SYSTEM	2
HYDROSTATIC SYSTEM	3
MAIN FRAME	5
PREVENTIVE MAINTENANCE	1
TECHNICAL DATA	8

**PREVENTIVE
MAINTENANCE**

**HYDRAULIC
SYSTEM**

**HYDROSTATIC
SYSTEM**

**DRIVE
SYSTEM**

**MAIN
FRAME**

**ELECTRICAL
SYSTEM**

**ENGINE
SERVICE**

**TECHNICAL
DATA**

**ALPHABETICAL
INDEX**

Thank you so much for reading.
Please click the “Buy Now!”
button below to download the
complete manual.



After you pay.

You can download the most
perfect and complete manual in
the world immediately.

Our support email:

ebooklibonline@outlook.com