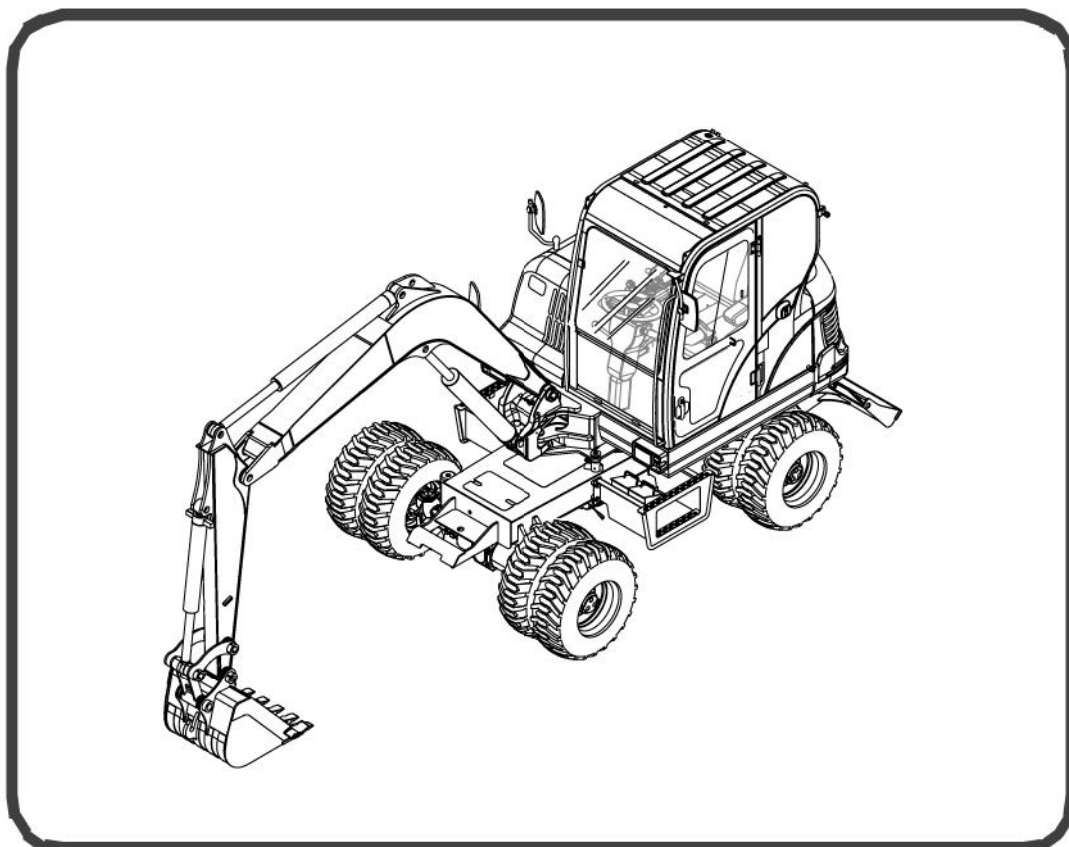




Bobcat®

Service Manual E55W Excavator

S/N AEFB11001 & Above



Bobcat®
Printed in Europe



CONTENTS

FOREWORD	iii
SAFETY INSTRUCTIONS	v
FIRE PREVENTION	vii
SERIAL NUMBER LOCATIONS	ix
DELIVERY REPORT	x
BOBCAT EXCAVATOR IDENTIFICATION	xi
SAFETY AND MAINTENANCE	10-01
HYDRAULIC SYSTEM	20-01
UNDERCARRIAGE	30-01
UPPERSTRUCTURE & SWING SECTION	40-01
ELECTRICAL SYSTEM AND ANALYSIS	50-01
ENGINE SERVICE	60-01
SPECIFICATIONS	SPEC-01

**SAFETY AND
MAINTENANCE**

**HYDRAULIC
SYSTEM**

UNDERCARRIAGE

**UPPERSTRUCTURE
AND SWING
SECTION**

**ELECTRICAL
SYSTEM AND
ANALYSIS**

**ENGINE
SERVICE**

SPECIFICATIONS

Thank you so much for reading.
Please click the “Buy Now!”
button below to download the
complete manual.



After you pay.

You can download the most
perfect and complete manual in
the world immediately.

Our support email:

ebooklibonline@outlook.com