

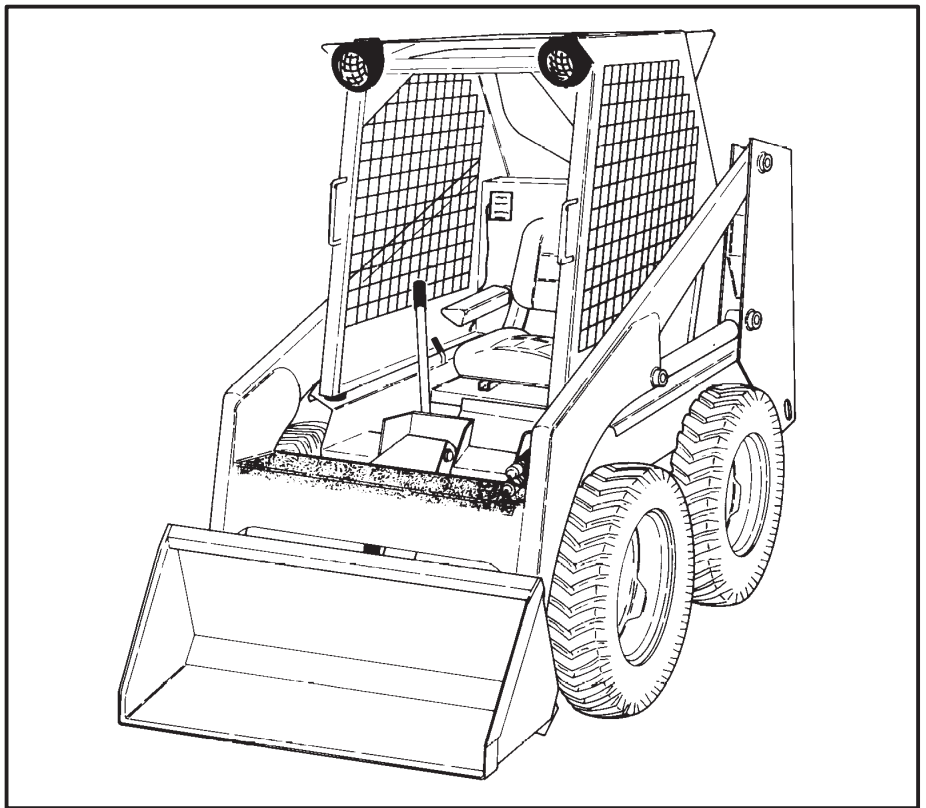
6
3
0

6
3
1

6
3
2



Service Manual



MELROE
INGERSOLL-RAND

6556454(2-87)

Printed in U.S.A.



© Melroe Company 1987

FOREWORD

This manual provides instruction for proper routine servicing and adjustment of the Bobcat, and detailed overhaul instructions of the drive system, loader hydraulic/hydrostatic system and general main frame components.

Refer to the Owner's Manual for general operating instructions (Starting Procedure, Daily Checks, Bucket Operation, Minor Maintenance, etc.).

A general inspection of the following items should be made whenever the machine has had service or repair:

1. Check hydraulic fluid level, engine oil level and fuel supply.
2. Inspect for any sign of fuel, oil or hydraulic fluid leaks.
3. Lubricate the machine.
4. Check battery condition and cables.
5. Inspect air cleaner system for damage or leaks. Check element and make replacement, if necessary.
6. Check electrical charging system.
7. Check indicator lamps.
8. Check tires for wear and pressure.
9. Check the Bob-Tach attachment for condition. Inspect the wedges for damage or wear.
10. Inspect safety items for condition (Operator Guard, Seat Belt, Safety Treads, Lamps, etc.).
11. Make a visual inspection for loose or broken parts or connections.
12. Operate the loader, checking all functions.

Advise the owner if any of the above items are in need of repair.

CONTENTS

ALPHABETICAL INDEX	9-1
DRIVE SYSTEM	4-1
ELECTRICAL SYSTEM	6-1
ENGINE SERVICE	7-1
HYDRAULIC SYSTEM	2-1
HYDROSTATIC SYSTEM	3-1
MAIN FRAME	5-1
PREVENTIVE MAINTENANCE	1-1
TECHNICAL DATA	8-1

**PREVENTIVE
MAINTENANCE**

**HYDRAULIC
SYSTEM**

**HYDROSTATIC
SYSTEM**

**DRIVE
SYSTEM**

**MAIN
FRAME**

**ELECTRICAL
SYSTEM**

**ENGINE
SERVICE**

**TECHNICAL
DATA**

**ALPHABETICAL
INDEX**

Thank you so much for reading.
Please click the “Buy Now!”
button below to download the
complete manual.



After you pay.

You can download the most
perfect and complete manual in
the world immediately.

Our support email:

ebooklibonline@outlook.com