
1850K

(Tier 3)

CRAWLER DOZER

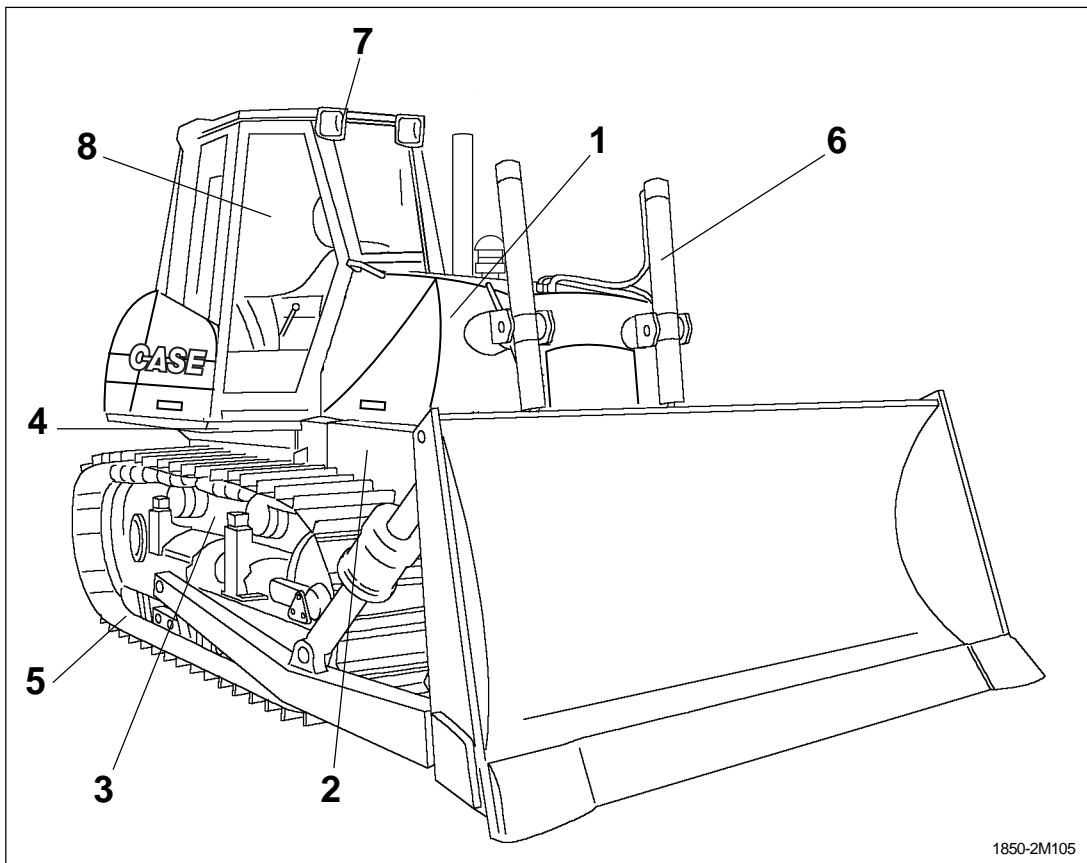
Service manual

Print No. 87388581A English



SUMMARY

GENERALITIES	SECT. 0
ENGINE	SECT. 1
TRANSMISSION	SECT. 2
FINAL DRIVES	SECT. 3
BRAKES AND STEERING	SECT. 4
UNDERCARRIAGE	SECT. 5
DOZING EQUIPMENT	SECT. 6
HYDRAULIC SYSTEM	
ELECTRICAL SYSTEM	SECT. 7
AIR CONDITIONING UNIT	SECT. 8



Thank you so much for reading.
Please click the “Buy Now!”
button below to download the
complete manual.



After you pay.

You can download the most
perfect and complete manual in
the world immediately.

Our support email:

ebooklibonline@outlook.com