

570T
Backhoe Loader

SERVICE MANUAL

Part number 47576089

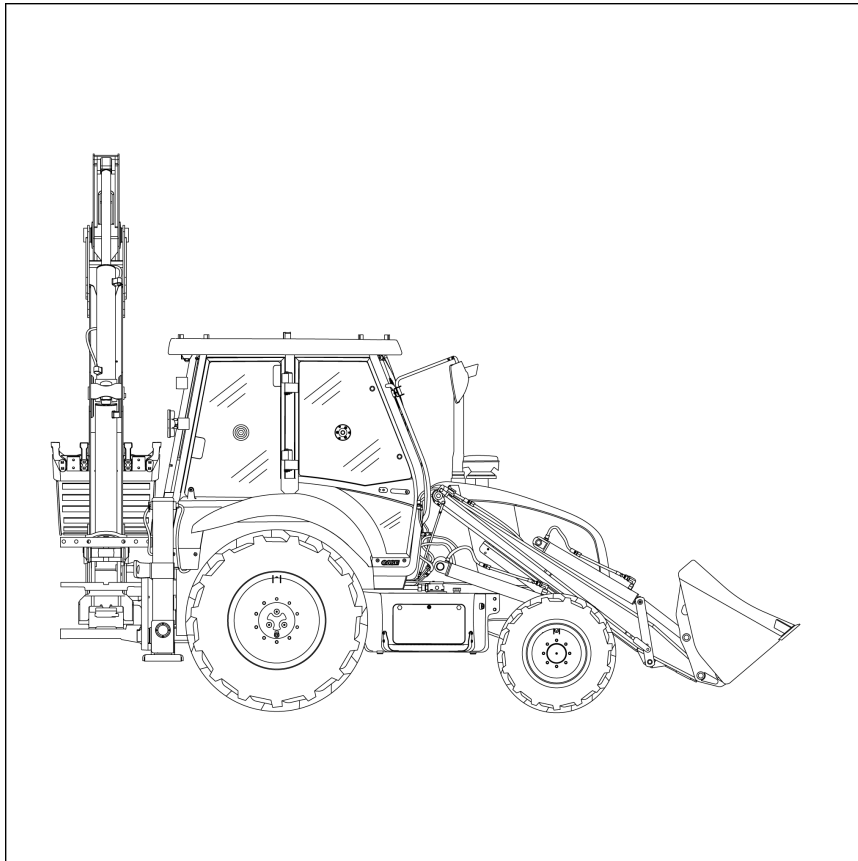
English

June 2014

CASE
CONSTRUCTION



SERVICE MANUAL



570T

Contents

INTRODUCTION

Engine	10
[10.001] Engine and crankcase	10.1
[10.102] Pan and covers	10.2
[10.106] Valve drive and gears	10.3
[10.101] Cylinder heads	10.4
[10.105] Connecting rods and pistons.....	10.5
[10.103] Crankshaft and flywheel.....	10.6
[10.114] Pump drives	10.7
[10.216] Fuel tanks	10.8
[10.210] Lift pump and lines	10.9
[10.218] Fuel injection system.....	10.10
[10.220] Throttle linkage	10.11
[10.250] Turbocharger and lines.....	10.12
[10.254] Intake and exhaust manifolds and muffler	10.13
[10.400] Engine cooling system	10.14
[10.304] Engine lubrication system.....	10.15
[10.310] Aftercooler.....	10.16
Transmission	21
[21.100] Mechanical transmission lubrication system	21.1
[21.112] Power shuttle transmission.....	21.2
[21.134] Power shuttle transmission external controls	21.3
[21.154] Power shuttle transmission internal components	21.4
[21.700] Torque converter	21.5
Front axle system	25
[25.100] Powered front axle	25.1
[25.102] Front bevel gear set and differential	25.2

[25.108] Final drive hub, steering knuckles, and shafts	25.3
[25.400] Non-powered front axle	25.4
Rear axle system	27
[27.100] Powered rear axle	27.1
[27.106] Rear bevel gear set and differential	27.2
[27.124] Final drive hub, steering knuckles, and shafts	27.3
Brakes and controls	33
[33.202] Hydraulic service brakes	33.1
[33.110] Parking brake or parking lock	33.2
Hydraulic systems.....	35
[35.000] Hydraulic systems.....	35.1
[35.300] Reservoir, cooler, and filters.....	35.2
[35.104] Fixed displacement pump.....	35.3
[35.359] Main control valve	35.4
[35.724] Front loader hydraulic system control.....	35.5
[35.701] Front loader arm hydraulic system	35.6
[35.723] Front loader bucket hydraulic system	35.7
[35.726] Excavator and backhoe hydraulic controls.....	35.8
[35.736] Boom hydraulic system	35.9
[35.737] Dipper hydraulic system.....	35.10
[35.738] Excavator and backhoe bucket hydraulic system.....	35.11
[35.739] Swing arm hydraulic system	35.12
[35.AAA] Hydraulic systems generic sub-group.....	35.13
Frames and ballasting	39
[39.129] Stabilizers	39.1
Steering.....	41
[41.101] Steering control	41.1

[41.200] Hydraulic control components.....	41.2
[41.216] Cylinders	41.3
Wheels	44
[44.511] Front wheels.....	44.1
[44.520] Rear wheels.....	44.2
[44.AAA] Wheels generic sub-group	44.3
Cab climate control	50
[50.100] Heating.....	50.1
[50.200] Air conditioning	50.2
Electrical systems	55
[55.100] Harnesses and connectors.....	55.1
[55.201] Engine starting system	55.2
[55.301] Alternator.....	55.3
[55.518] Wiper and washer system.....	55.4
Front loader and bucket.....	82
[82.100] Arm.....	82.1
[82.300] Bucket.....	82.2
Booms, dippers, and buckets	84
[84.114] Boom pivoting support	84.1
[84.910] Boom.....	84.2
[84.912] Dipper arm	84.3
Platform, cab, bodywork, and decals	90
[90.150] Cab.....	90.1
[90.154] Cab doors and hatches	90.2
[90.156] Cab glazing	90.3
[90.100] Engine hood and panels	90.4

Thank you so much for reading.
Please click the “Buy Now!”
button below to download the
complete manual.



After you pay.

You can download the most
perfect and complete manual in
the world immediately.

Our support email:

ebooklibonline@outlook.com