

Product: MULTI TERRAIN LOADER

Model: 297C MULTI TERRAIN LOADER GCP

Configuration: 297C Multi Terrain Loader GCP00001-UP (MACHINE) POWERED BY 3044C Engine

Disassembly and Assembly

279C2 Compact Track Loader and 287C, 277C, 277C2 and 297C Multi Terrain Loaders Power Train

Media Number -KENR5197-07

Publication Date -01/06/2014

Date Updated -10/06/2014

i06660138

Piston Pump (Hydrostatic) - Assemble

SMCS - 5070-016-H7

Assembly Procedure

Table 1

Required Tools			
Tool	Part Number	Part Description	Qty
D	1P-1859	Retaining Ring Pliers	1
E	9S-3263	Thread Lock Compound	1

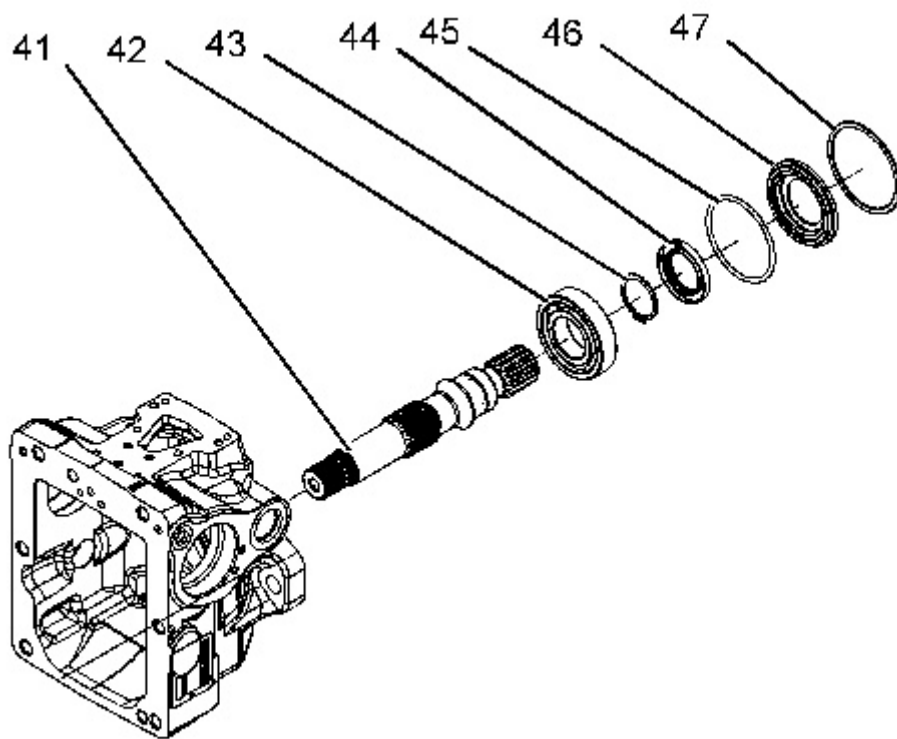
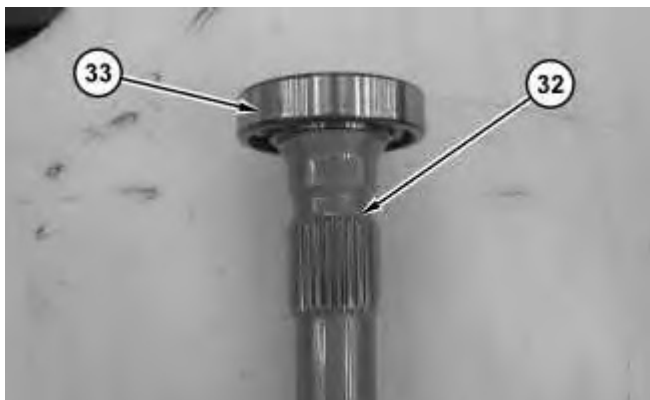


Illustration 1

g06063261

1. Raise the temperature of bearing (42).
2. Install bearing (42).
3. Use Tooling (D) to install retaining ring (43).
4. Install shaft assembly (40) and seal (44).
5. Install O-ring seal (45).
6. Install plate (46).
7. Install retaining ring (47).



8. Raise the temperature of bearing (33).
 9. Install bearing (33) onto shaft (32).
-

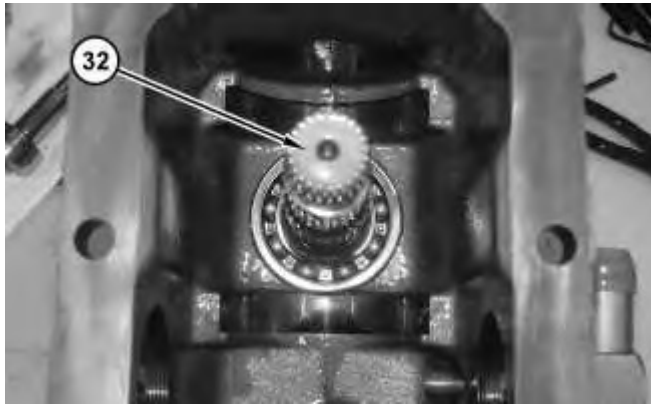


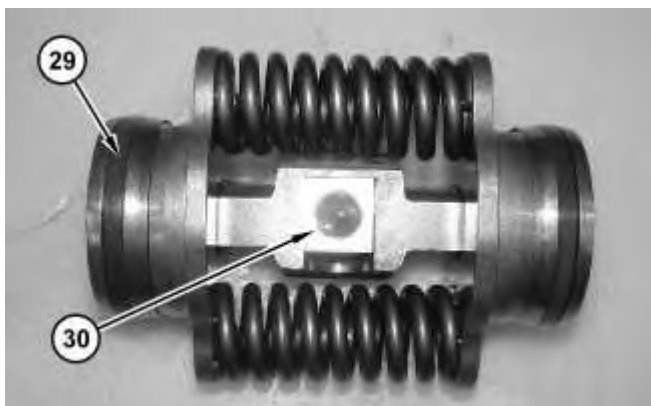
Illustration 3

10. Install shaft (32).
-



Illustration 4

11. Install bearings (31) onto swashplate (28).
-



12. Install seals (29) and block (30).

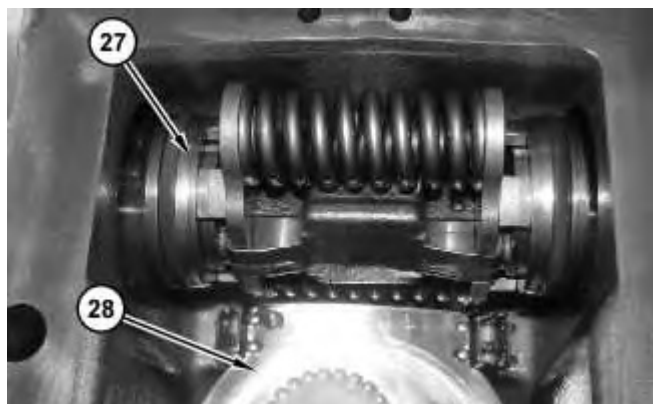


Illustration 6

13. Install piston assembly (27) and swashplate (28).



Illustration 7

14. Install O-ring seal (26).

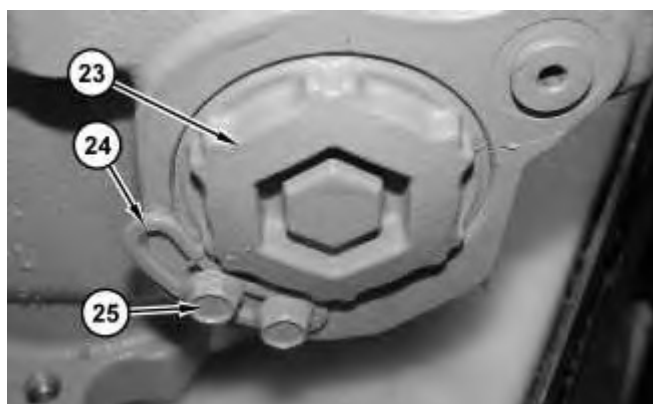


Illustration 8

Thank you so much for reading.
Please click the “Buy Now!”
button below to download the
complete manual.



After you pay.

You can download the most
perfect and complete manual in
the world immediately.

Our support email:

ebooklibonline@outlook.com