

Product: MINI HYD EXCAVATOR

Model: 303.5E2 CR MINI HYD EXCAVATOR CR9

Configuration: 303.5E2 CR Mini Hydraulic Excavator CR900001-UP (MACHINE) POWERED BY C1.7 Engine

Disassembly and Assembly C1.7, C1.8 and C2.4 Tier 4 Interim and EU Stage 3A Engines for Caterpillar Built Machines

Media Number -UENR0128-11

Publication Date -01/08/2015

Date Updated -09/06/2016

i05243376

Governor and Camshaft - Remove

SMCS - 1264-011; 1265-011; 1716-011

Removal Procedure

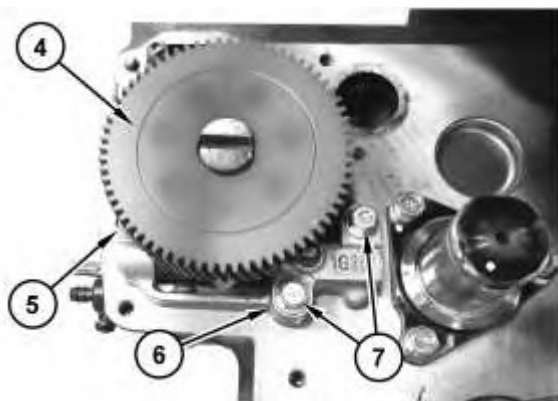
Start By:

- a. Remove the idler gear.
- b. Remove the fuel injection pump.

NOTICE

Keep all parts clean from contaminants.

Contaminants may cause rapid wear and shortened component life.



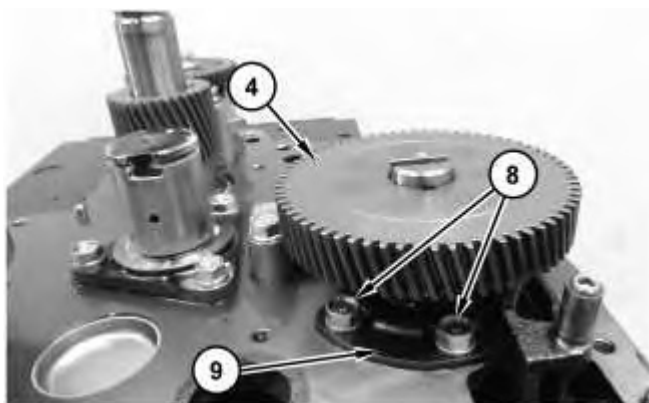


Illustration 2

1. Remove bolts (7) and loosen bolt (5) from bracket (6) from camshaft (4).
2. Remove bolts (8) and bracket (9) that hold the camshaft (4) in the cylinder block.

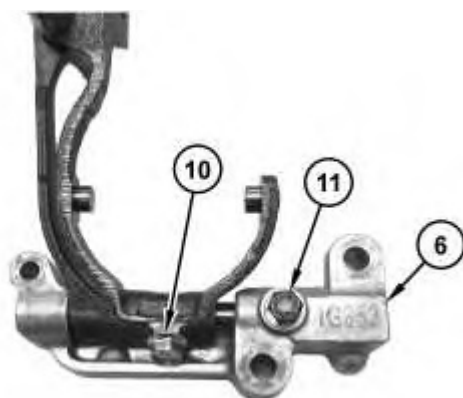


Illustration 3



Illustration 4

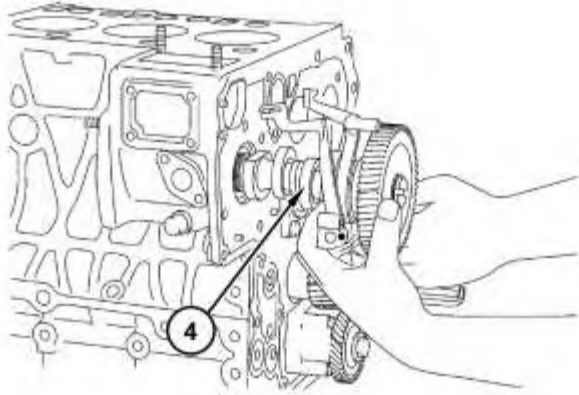


Illustration 5

g02840060

3. Lift camshaft (4) and bracket (6) as one unit.
4. Remove camshaft (4).
5. Remove bolt (10) and the washer. Remove bolt (11) from bracket (6).

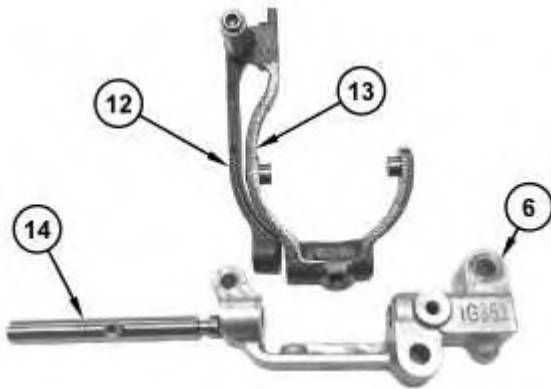


Illustration 6

g02729574

6. Remove shaft (14) from brackets (6), (12), and (13).
-

Thank you so much for reading.
Please click the “Buy Now!”
button below to download the
complete manual.



After you pay.

You can download the most
perfect and complete manual in
the world immediately.

Our support email:

ebooklibonline@outlook.com