

Product: INDUSTRIAL ENGINE
Model: C32 INDUSTRIAL ENGINE BT4
Configuration: C32 Industrial Engine BT400001-UP

Disassembly and Assembly C27 and C32 Industrial Engines

Media Number -KENR8167-05

Publication Date -01/08/2015

Date Updated -30/04/2018

i04130649

Fuel Priming Pump - Remove and Install

SMCS - 1258-010

Removal Procedure

Table 1

Required Tools			
Tool	Part Number	Part Description	Qty
A	185-3630	Strap Wrench Assembly	1

NOTICE

Care must be taken to ensure that fluids are contained during performance of inspection, maintenance, testing, adjusting, and repair of the product. Be prepared to collect the fluid with suitable containers before opening any compartment or disassembling any component containing fluids.

Refer to Special Publication, NENG2500, "Dealer Service Tool Catalog" for tools and supplies suitable to collect and contain fluids on Cat products.

Dispose of all fluids according to local regulations and mandates.

1. Turn the fuel supply to the OFF position and turn the power disconnect switch to the OFF.
 2. Remove the fuel filter. Refer to Operation and Maintenance Manual, "Fuel System Primary Filter/Water Separator - Drain".
-

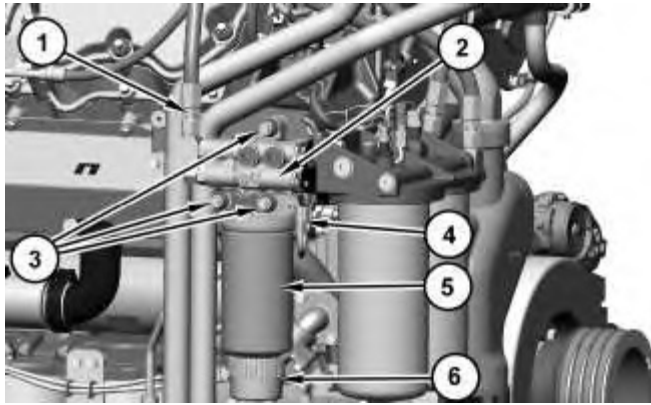


Illustration 1

g02330633

3. Disconnect the fuel line (1) to the ARD manifold from both ends.
4. Disconnect the solenoid harness (4).
5. Use Tooling (A) to remove bowl assembly (6).
6. Use Tooling (A) to remove fuel filter (5).
7. Remove bolts (3) and remove fuel pump assembly (2).

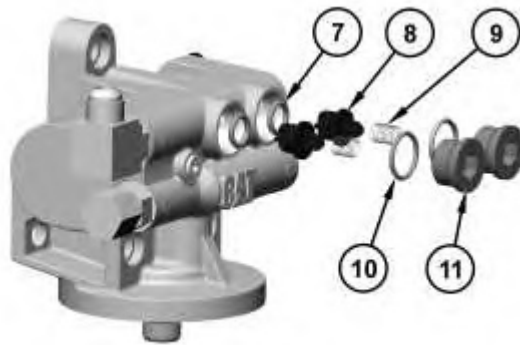


Illustration 2

g02333497

8. Remove plugs (11), O-Ring seals (10), springs (9), check valves (8), and seals (7)

Installation Procedure

1. Install the fuel pump assembly (2) in the reverse order.
 - a. Tighten plug (11) to a torque of $95 \pm 10 \text{ N}\cdot\text{m}$ ($70 \pm 7 \text{ lb ft}$)

Product: INDUSTRIAL ENGINE
Model: C32 INDUSTRIAL ENGINE BT4
Configuration: C32 Industrial Engine BT400001-UP

Disassembly and Assembly C27 and C32 Industrial Engines

Media Number -KENR8167-05

Publication Date -01/08/2015

Date Updated -30/04/2018

i04046634

Fuel Filter Base - Remove and Install

SMCS - 1262-010

Removal Procedure

Table 1

Required Tools			
Tool	Part Number	Part Description	Qty
A	185-3630	Strap Wrench	1

1. Turn the fuel supply to the OFF position.

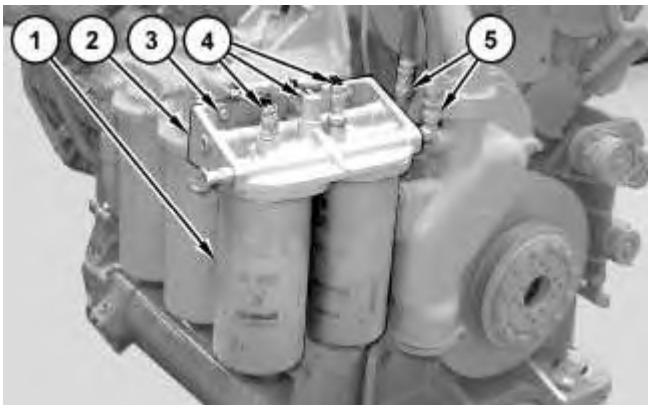


Illustration 1

g02257934

2. Disconnect harness assemblies (4) and disconnect hose assemblies (5).
3. Use Tooling (A) to remove fuel filters (1) from fuel filter base (2).
4. Remove bolts (3) and remove the fuel filter base (2).

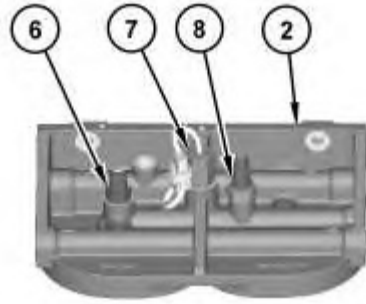


Illustration 2

g02259354

5. Remove fuel temperature sensor (6).
6. Remove fuel filter by-pass pressure switch (7) and remove fuel pressure sensor (8) from the fuel filter base (2).

Installation Procedure

1. Install fuel filter base (2) in the reverse order.
 - a. Tighten fuel pressure sensor (8) to a torque of $10 \pm 2 \text{ N}\cdot\text{m}$ ($89 \pm 18 \text{ lb in}$).
 - b. Tighten fuel temperature sensor (6) to a torque of $20 \pm 3 \text{ N}\cdot\text{m}$ ($177 \pm 27 \text{ lb in}$).
 - c. Use Tooling (A) in order to tighten fuel filters (1) to a torque of $74 \pm 7 \text{ N}\cdot\text{m}$ ($55 \pm 5 \text{ lb ft}$).
-

Thank you so much for reading.
Please click the “Buy Now!”
button below to download the
complete manual.



After you pay.

You can download the most
perfect and complete manual in
the world immediately.

Our support email:

ebooklibonline@outlook.com