

Product: INDUSTRIAL ENGINE
Model: C32 INDUSTRIAL ENGINE TLD
Configuration: C32 Industrial Engine TLD00001-UP

Disassembly and Assembly C27 and C32 Industrial Engines

Media Number -REN9577-06

Publication Date -01/11/2017

Date Updated -20/11/2017

i05768549

Fuel Lines - Remove and Install

SMCS - 1250-010; 1252-010; 1274-010

Remove Nonmetallic Fuel Lines

NOTICE

Care must be taken to ensure that fluids are contained during performance of inspection, maintenance, testing, adjusting, and repair of the product. Be prepared to collect the fluid with suitable containers before opening any compartment or disassembling any component containing fluids.

Refer to Special Publication, NENG2500, "Dealer Service Tool Catalog" for tools and supplies suitable to collect and contain fluids on Cat products.

Dispose of all fluids according to local regulations and mandates.

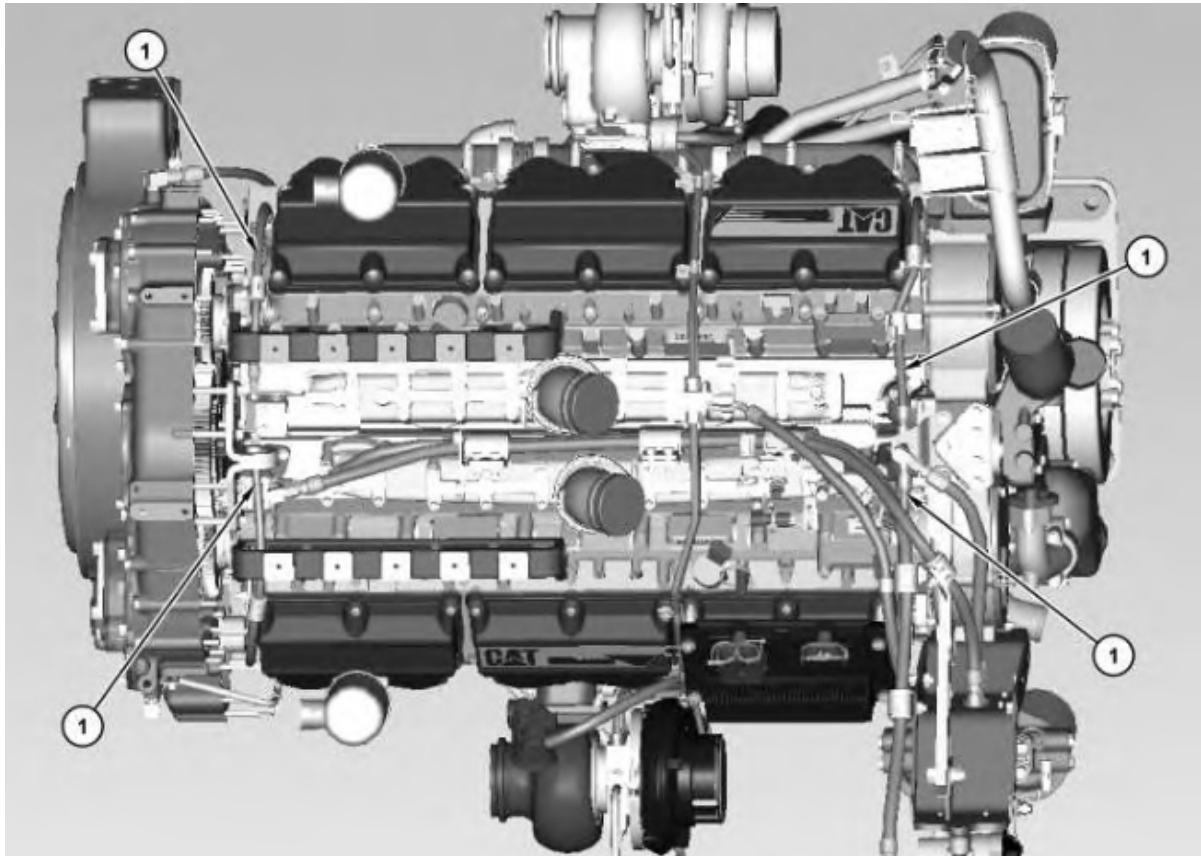


Illustration 1

g02257273

1. Mark fuel lines (1) for reinstallation purposes. Remove fuel lines (1) .
2. If any hoses are worn or damaged, replace with new parts.

Reference Refer to the Operation and Maintenance Manual for information on when to replace the fuel lines.

Install Nonmetallic Fuel Lines

Note: During installation, ensure that the hoses do not contact nearby parts. Pressure pulsations in these hoses cause the hoses to flex. Inadvertent contact with nearby surfaces will produce chafing/abrasion damage that could eventually lead to a leak. A properly installed hose will contact only the hose clips.

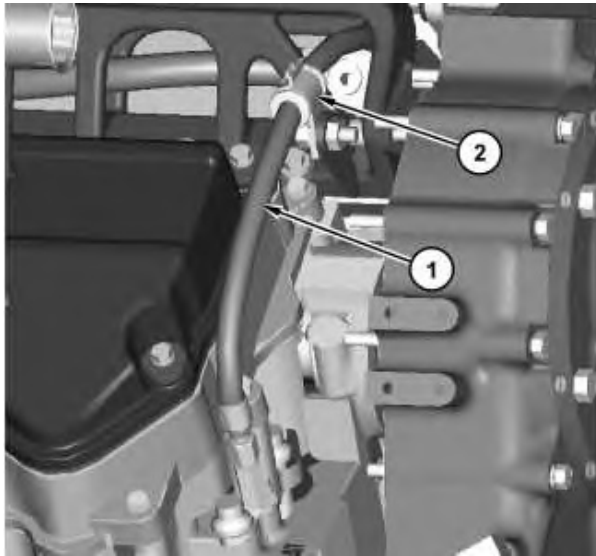


Illustration 2

g02233899

Rear Left Side View - Hose Length = 475 mm (18.7 inch)

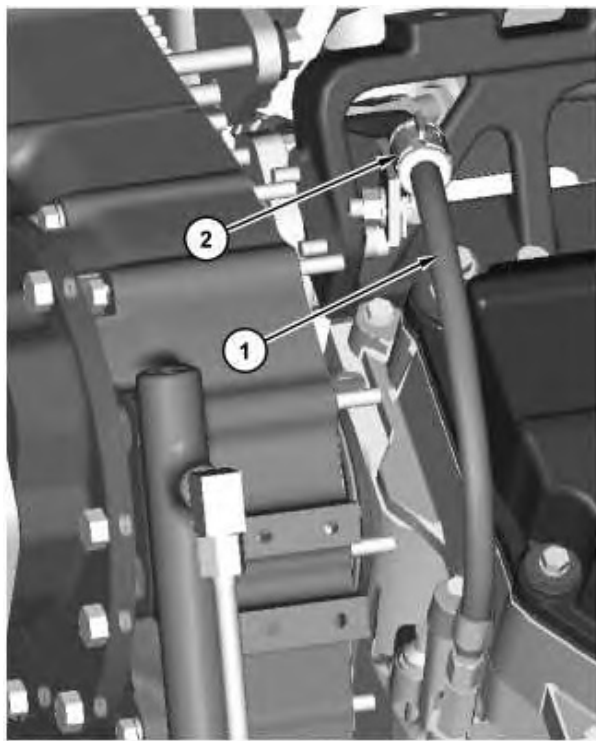


Illustration 3

g02233901

Rear Right Side View - Hose Length = 620 mm (24.4 inch)

Thank you so much for reading.
Please click the “Buy Now!”
button below to download the
complete manual.



After you pay.

You can download the most
perfect and complete manual in
the world immediately.

Our support email:

ebooklibonline@outlook.com