

Product: TRACK-TYPE TRACTOR

Model: D8T TRACK-TYPE TRACTOR MLN

Configuration: D8T TRACK-TYPE TRACTOR MLN00001-UP (MACHINE) POWERED BY C15 Engine

## Disassembly and Assembly C15 and C18 Engines for Caterpillar Built Machines

Media Number -KENR8151-04

Publication Date -01/07/2014

Date Updated -01/07/2014

i02519560

## Gear Group (Front) - Remove

SMCS - 1206-011

## Removal Procedure

Table 1

Required Tools			
Tool	Part Number	Part Description	Qty
A	1P-0510	Driver Group	1

### Start By:

- Remove the front housing. Refer to Disassembly and Assembly, "Housing (Front) - Remove".
- Remove the air compressor, if necessary. Refer to Disassembly and Assembly, "Air Compressor - Remove and Install".
- Remove the water pump, if necessary. Refer to Disassembly and Assembly, "Water Pump - Remove".

---

### NOTICE

**Keep all parts clean from contaminants.**

**Contaminants may cause rapid wear and shortened component life.**

---

---

## NOTICE

**Do not turn the crankshaft or the camshaft while the camshaft gear is removed. If the front gear group is not correctly timed during installation, interference can occur between the pistons and the valves, resulting in damage to the engine.**

---

**Note:** Be sure to mark the orientation of each of the gears for installation purposes.

---

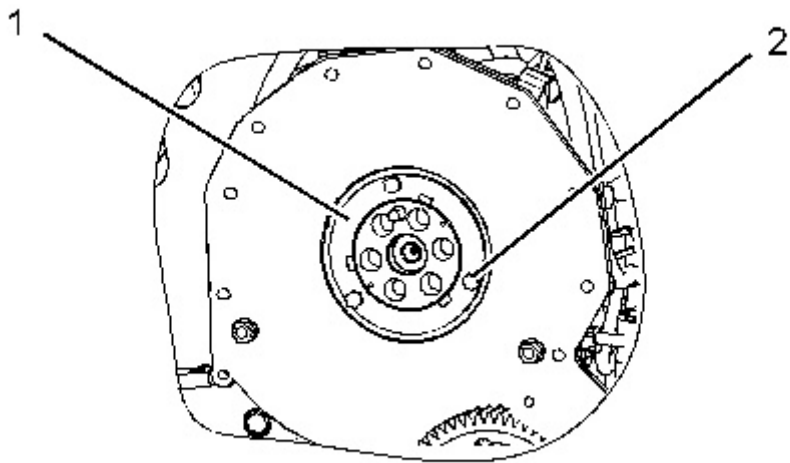
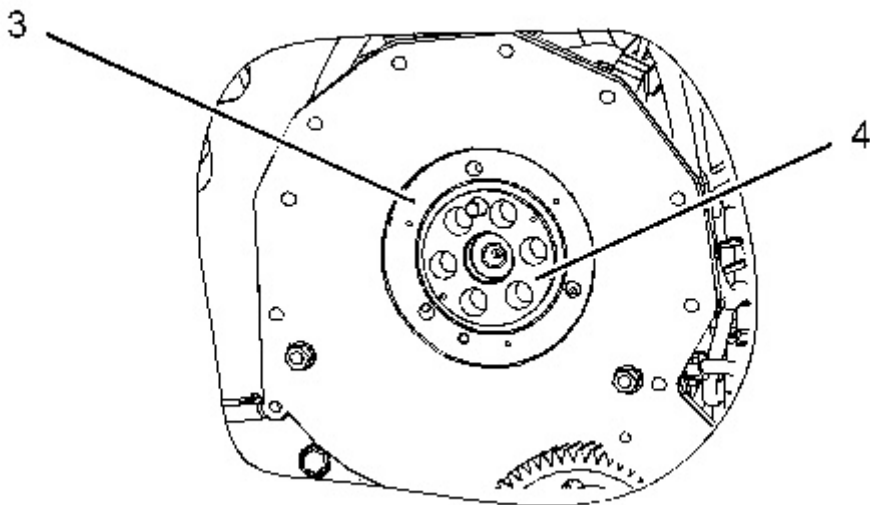


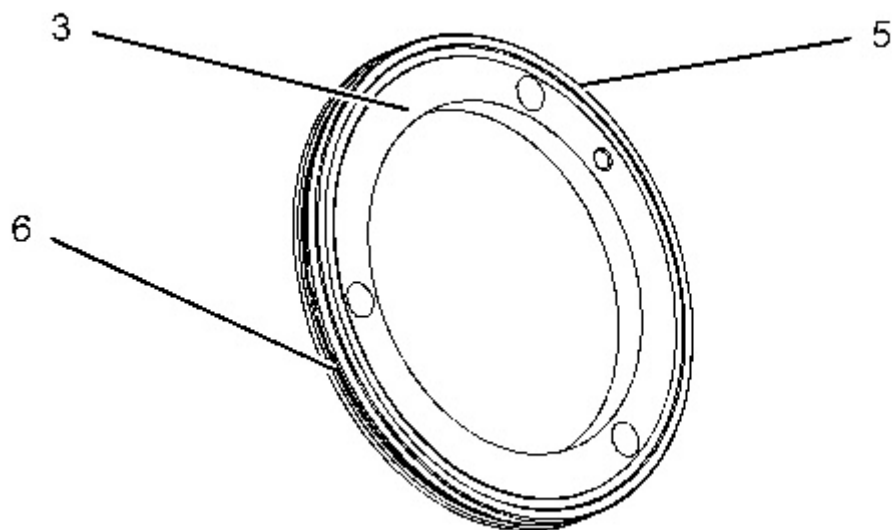
Illustration 1

g01008429

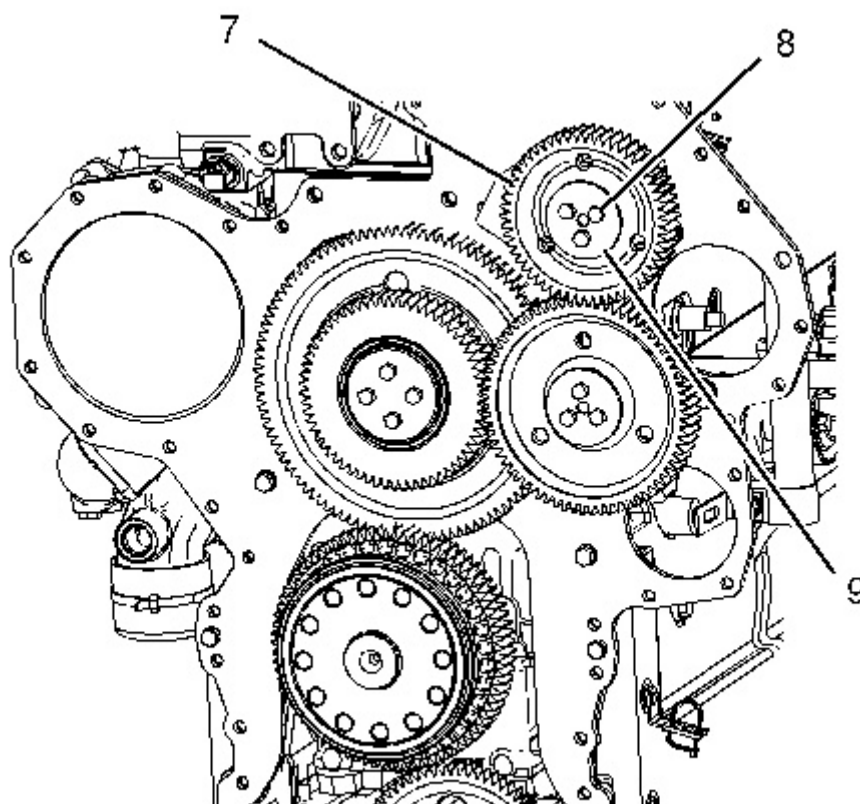
1. Remove bolts (2) and thrust plate (1).
- 



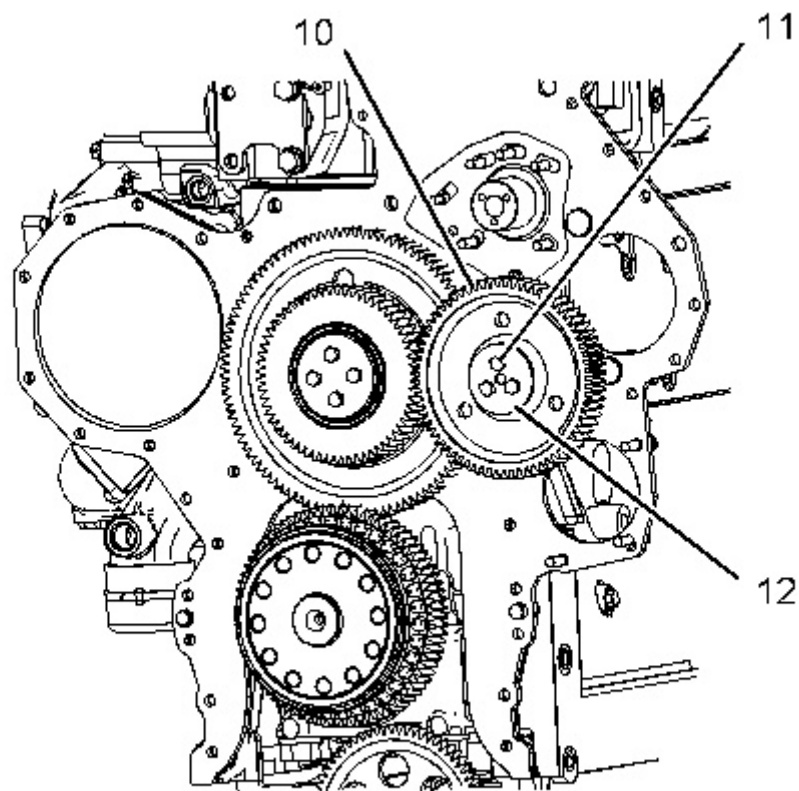
2. Remove sealing plate (3) and adapter (4).



3. Remove O-ring seal (5) and O-ring seal (6) from sealing plate (3).



4. Remove bolts (8), plate (9), and adjustable idler gear assembly (7).
  5. Use Tooling (A) and remove the sleeve bearing from adjustable idler gear assembly (7).
- 



6. Remove bolts (11), plate (12), and idler gear assembly (10).
  7. Use Tooling (A) and remove the sleeve bearing from idler gear assembly (10).
-

Thank you so much for reading.  
Please click the “Buy Now!”  
button below to download the  
complete manual.



After you pay.

You can download the most  
perfect and complete manual in  
the world immediately.

Our support email:

[ebooklibonline@outlook.com](mailto:ebooklibonline@outlook.com)