

# **SERVICE MANUAL**

## **Crawler Dozer DI80**

Print No. 84151290



---

# D180

(Tier 3)

CRAWLER DOZER

## Workshop Manual

Print No. 84151290 English



THIS ALERT SYMBOL SIGNALS IMPORTANT MESSAGES INVOLVING YOUR SAFETY.

Read and heed carefully the safety instructions listed and follow the precautions recommended to avoid potential risks and to safeguard your health and your safety.

You will find this symbol in the text of this Manual referred to the following key words:

**WARNING** - Cautions directed to avoid improper repair interventions involving potential consequences for the safety of the personnel performing the repairs.

**DANGER** - These warnings qualify specifically potential dangers for the safety of the operator or other persons directly or indirectly involved.

### IMPORTANT NOTICE

All maintenance and repair interventions explained in this Manual **must be performed exclusively by the Service Organisation of the Manufacturer**, observing strictly the instructions explained using, whenever necessary, the recommended specific tools.

Whoever performs the operations reported without following exactly the precautions is responsible on his own, for the damages that may result.

Neither the Factory nor any Organisations in its Distribution Network, including but not limited to national, regional or local distributors, are responsible for any liability arising from any damage resulting from defects caused by parts and/or components not approved by the Factory for use in maintaining and/or repairing products manufactured or merchandised by the Factory.

In any case, no warranty of any kind is made or shall be imposed with respect to products manufactured or merchandised by the Factory, when failures are caused by the use of parts and/or components not approved by the Factory.

---

---

## AVOID ACCIDENTS

Most accidents, whether they occur in industry, on the farm, at home or on the road, are caused by the failure of some individuals to follow simple and fundamental safety rules and precautions. For this reason **MOST ACCIDENTS CAN BE PREVENTED** by recognising the real cause and doing something about it before the accident occurs.

Regardless of the care used in the design and construction of any type of equipment, there are many conditions that cannot be completely safeguarded against without interfering in the reasonable accessibility and efficient operation.

A careful operator is the best insurance against an accident. The complete observance of one simple rule would prevent many serious accidents.

The rule is simple: never attempt to clean, lubricate or maintain a machine while it is in motion.



### **WARNING**

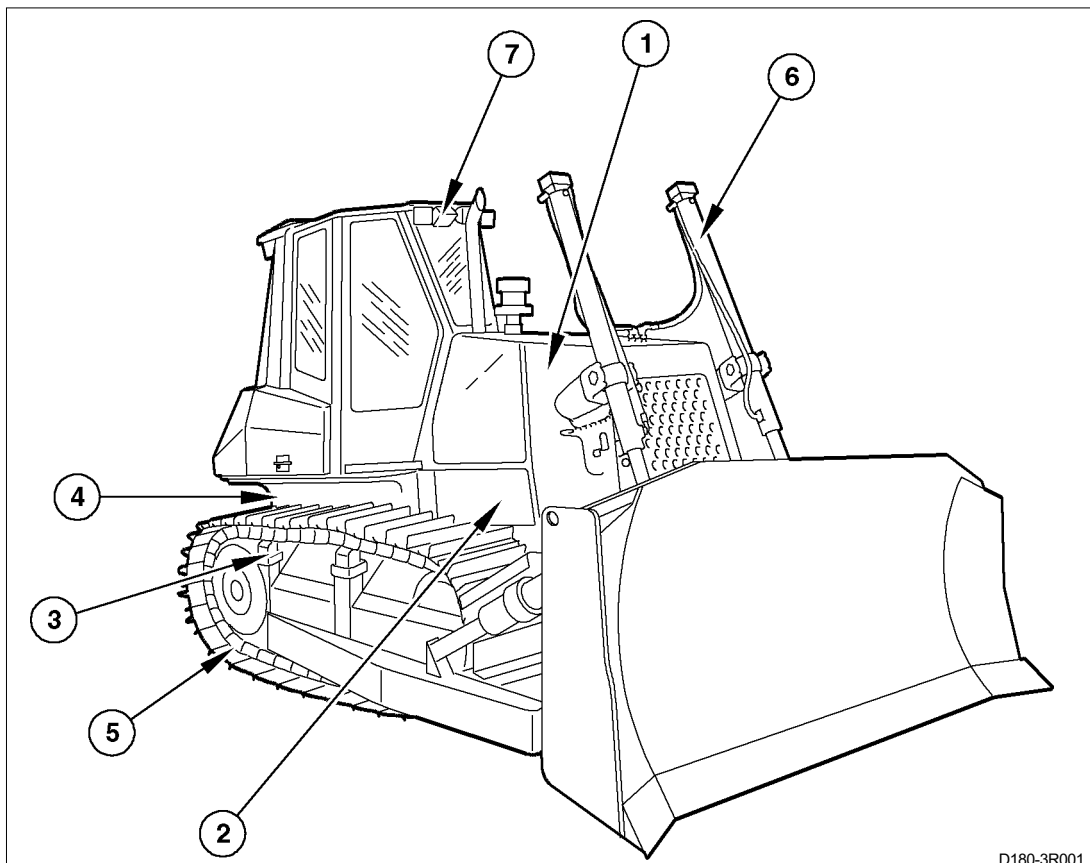
**Prior to engaging in any maintenance, adjustment or repair operation on machines having hydraulically, mechanically, and/or cable controlled equipment (such as shovels, loaders, dozers, excavators etc.) be certain the equipment is lowered to the ground.**

**If it is necessary to have the equipment partially or fully raised to gain access to certain items, be sure the equipment is suitably supported by means other than the devices used for controlling the equipment.**

---

# SUMMARY

<b>GENERALITIES</b>	<b>SECT. 0</b>
<b>ENGINE</b>	<b>SECT. 1</b>
<b>TRANSMISSION</b>	<b>SECT. 2</b>
<b>FINAL DRIVES</b>	<b>SECT. 3</b>
<b>BRAKES AND STEERING DIFFERENTIAL - D180 POWER STEERING</b>	<b>SECT. 4</b>
<b>BRAKES AND STEERING CLUTCHES - D180 STEERING CLUTCHES</b>	<b>SECT. 4 BIS</b>
<b>UNDERCARRIAGE</b>	<b>SECT. 5</b>
<b>DOZING EQUIPMENT - HYDRAULIC SYSTEM D180 PS</b>	<b>SECT. 6</b>
<b>DOZING EQUIPMENT - HYDRAULIC SYSTEM D180 SC</b>	<b>SECT. 6 BIS</b>
<b>ELECTRICAL SYSTEM</b>	<b>SECT. 7</b>
<b>AIR CONDITIONING UNIT</b>	<b>SECT. 8</b>



**SECTION 0**  
**GENERALITIES**

**TABLE OF CONTENTS**

SUBJECT	PAGE
SAFETY RULES .....	I-VIII
IDENTIFICATION DATA	
Engine data plate .....	0-3
Vehicle Identification Plate .....	0-4
Marking and serial number .....	0-4
TABLE OF FLUID CAPACITIES .....	0-5
DIMENSIONS D180 BD .....	0-6
DIMENSIONS D180 PAT .....	0-7
Technical data D180 PS - D180 SC .....	0-8
D180 POWER STEERING LGP .....	0-24
D180 POWER STEERING LT/XLT - STEERING CLUTCHES LT/XLT .....	0-25
WEIGHT AND EQUIPMENT D180 PAT .....	0-26
WEIGHT MACHINE D180 PAT .....	0-26
LIST OF WEIGHTS FOR MAIN SERVICE COMPONENTS .....	0-27
CENTRE OF GRAVITY TABLE .....	0-29
GENERAL INSTRUCTIONS .....	0-30
TROUBLESHOOTING .....	0-35
UNITS OF MEASURE .....	0-36
TABLE OF TIGHTENING TORQUES .....	0-38

Thank you so much for reading.  
Please click the “Buy Now!”  
button below to download the  
complete manual.



After you pay.

You can download the most  
perfect and complete manual in  
the world immediately.

Our support email:

[ebooklibonline@outlook.com](mailto:ebooklibonline@outlook.com)