

SERVICE MANUAL

**DC180.B
CRAWLER DOZER**

6036709100NA



NEW HOLLAND
CONSTRUCTION

DC180.B

CRAWLER DOZER

Workshop manual

Print No. 603.67.091.00 English



THIS ALERT SYMBOL SIGNALS IMPORTANT MESSAGES INVOLVING YOUR SAFETY.

Read and heed carefully the safety instructions listed and follow the precautions recommended to avoid potential risks and to safeguard your health and your safety.

You will find this symbol in the text of this Manual referred to the following key words:

WARNING - Cautions directed to avoid improper repair interventions involving potential consequences for the safety of the personnel performing the repairs.

DANGER - These warnings qualify specifically potential dangers for the safety of the operator or other persons directly or indirectly involved.

IMPORTANT NOTICE

All maintenance and repair interventions explained in this Manual **must be performed exclusively by the Service Organisation of the Manufacturer**, observing strictly the instructions explained using, whenever necessary, the recommended specific tools.

Whoever performs the operations reported without following exactly the precautions is responsible on his own, for the damages that may result.

Neither the Factory nor any Organisations in its Distribution Network, including but not limited to national, regional or local distributors, are responsible for any liability arising from any damage resulting from defects caused by parts and/or components not approved by the Factory for use in maintaining and/or repairing products manufactured or merchandised by the Factory.

In any case, no warranty of any kind is made or shall be imposed with respect to products manufactured or merchandised by the Factory, when failures are caused by the use of parts and/or components not approved by the Factory.

AVOID ACCIDENTS

Most accidents, whether they occur in industry, on the farm, at home or on the road, are caused by the failure of some individuals to follow simple and fundamental safety rules and precautions. For this reason **MOST ACCIDENTS CAN BE PREVENTED** by recognising the real cause and doing something about it before the accident occurs.

Regardless of the care used in the design and construction of any type of equipment, there are many conditions that cannot be completely safeguarded against without interfering in the reasonable accessibility and efficient operation.

A careful operator is the best insurance against an accident. The complete observance of one simple rule would prevent many serious accidents.

The rule is simple: never attempt to clean, lubricate or maintain a machine while it is in motion.

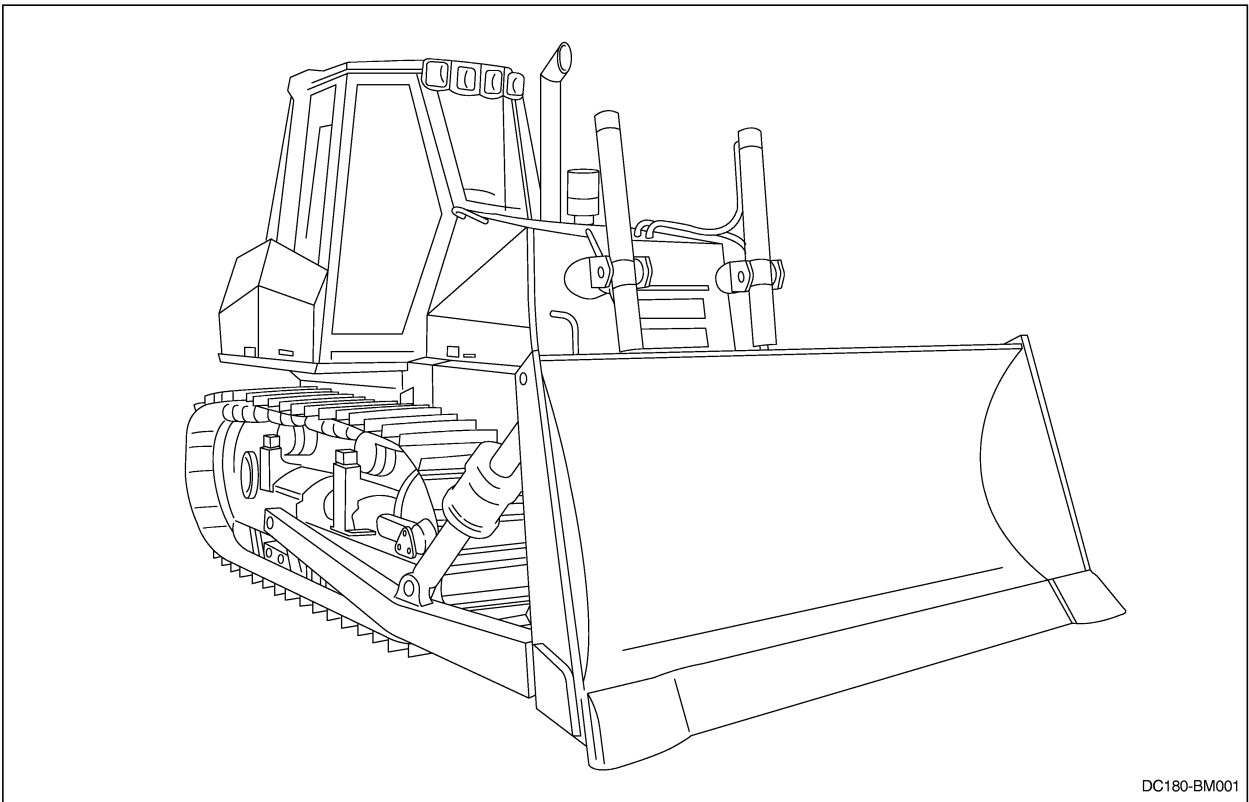
WARNING

Prior to engaging in any maintenance, adjustment or repair operation on machines having hydraulically, mechanically, and/or cable controlled equipment (such as shovels, loaders, dozers, excavators etc.) be certain the equipment is lowered to the ground.

If it is necessary to have the equipment partially or fully raised to gain access to certain items, be sure the equipment is suitably supported by means other than the devices used for controlling the equipment.

SUMMARY

GENERALITIES	SECT. 0
ENGINE	SECT. 1
TRANSMISSION	SECT. 2
FINAL DRIVES	SECT. 3
BRAKES AND STEERING DIFFERENTIAL	SECT. 4
UNDERCARRIAGE	SECT. 5
DOZING EQUIPMENT - HYDRAULIC SYSTEM	SECT. 6
ELECTRICAL SYSTEM	SECT. 7



SECTION 0
GENERALITIES

TABLE OF CONTENTS

SUBJECT	PAGE
SAFETY RULES	I-VIII
TABLE OF TECHNICAL DATA	
Table fluid capacities	0-4
Main dimensions	0-5
Technical data tables	0-6
CONTROL DATA ON THE MACHINE	0-21
WEIGHT TABLE DC180.B	0-23
LIST OF WEIGHTS FOR MAIN SERVICE COMPONENTS	0-24
STABILITY	0-26
GENERAL INSTRUCTIONS	0-27
TROUBLESHOOTING	0-33
UNITS OF MEASURE	0-34
TABLE OF TIGHTENING TORQUES	0-36

WARNING

Study carefully this Manual before starting, operating, maintaining, fuelling or servicing the machine.

Read and heed all safety rules before any intervention.

GENERALITIES

- Do not allow unauthorised personnel to operate service or maintain this machine.
 - Do not wear rings, wrist watches, jewellery, loose or hanging apparels, such as ties, torn clothing, scarves, unbuttoned or unzipped jackets that can catch on moving parts. Wear proper safety equipment as recommended for the job. Examples: hard hat, heavy gloves, ear protection, safety glasses or goggles, reflector vests, respirator. Consult your employer for specific safety equipment requirements.
 - Keep operator's compartment, stepping points, grab-rails and handles clear of foreign objects, oil, grease, mud or snow accumulation to minimise the danger of slipping or stumbling. Clean mud or grease from shoes before attempting to mount or operate the machine.
 - Do not jump on or off the machine. Keep two hands and one foot, or two feet and one hand in contact with step grab rails and handles at all times.
 - Do not use controls or hoses as hand holds when climbing on or off machine. Hoses and controls are movable and do not provide a solid support. Also, controls may be inadvertently moved causing accidental machine or equipment movement.
 - Never attempt to operate the machine or its tools from any position other than seated in the operator's seat.
 - Keep head, body, limbs, hands and feet inside operator's compartment at all times, to reduce exposure to hazards outside the operator's compartment.
 - Be careful of slippery conditions on stepping points, hand rails, and on the ground. Wear safety boots or shoes that have a high slip resistant sole material.
 - Do not leave the machine until it is completely stopped.
 - Check the seat safety belt at least twice a year. If there are signs of wear or fraying or other signs of weakness that could lead to failure, replace it.
- CHINE. Before operating a machine, always ensure that any unsafe condition has been satisfactorily remedied.
- Check brakes, steering and attachment controls before moving. Advise the proper maintenance authority of any malfunctioning part or system.
 - Be sure all protective guards or panels are in place, and all safety devices provided are in place and in good operating conditions.
 - Be sure exposed personnel in the area of operation are clear of the machine before moving it or its attachments. **WALK COMPLETELY AROUND** the machine before mounting. Sound horn.
 - Before starting machine, check, adjust and lock the operator's seat for maximum comfort and control of the machine.
 - Fasten your seat belt (when provided).
 - Obey all flag signals and signs.
 - Due to the presence on the machine of flammable fluids, never check or fill fuel reservoirs or batteries near open flames, smoking materials or sparks.
 - **REMEMBER THAT STARTING FLUID IS FLAMMABLE.** Follow strictly the recommendations printed on containers and in the Operation and Maintenance Manual.
 - **DO NOT PUNCTURE OR BURN CONTAINERS.**
 - Containers must be stored in fresh, well ventilated places, out of reach of unauthorised persons. Follow strictly the instructions provided by the Manufacturer.
 - Never use these products near open flames, smoking materials or sparks.

OPERATION

STARTING

- **NEVER START NOR OPERATE AN UNSAFE MA-**

- Do not run the engine of this machine in closed areas without proper ventilation to remove deadly exhaust gases.
- Roll Over Protective Structures are required on loaders, dozers, graders, excavators. **NEVER OPERATE** machines without ROPS.

Thank you so much for reading.
Please click the “Buy Now!”
button below to download the
complete manual.



After you pay.

You can download the most
perfect and complete manual in
the world immediately.

Our support email:

ebooklibonline@outlook.com