

# SERVICE MANUAL

**VN260 / VN240**  
Grape Harvester

Part number 6048227100

English  
April 2004



## SECTION 14 - LIVE PTO

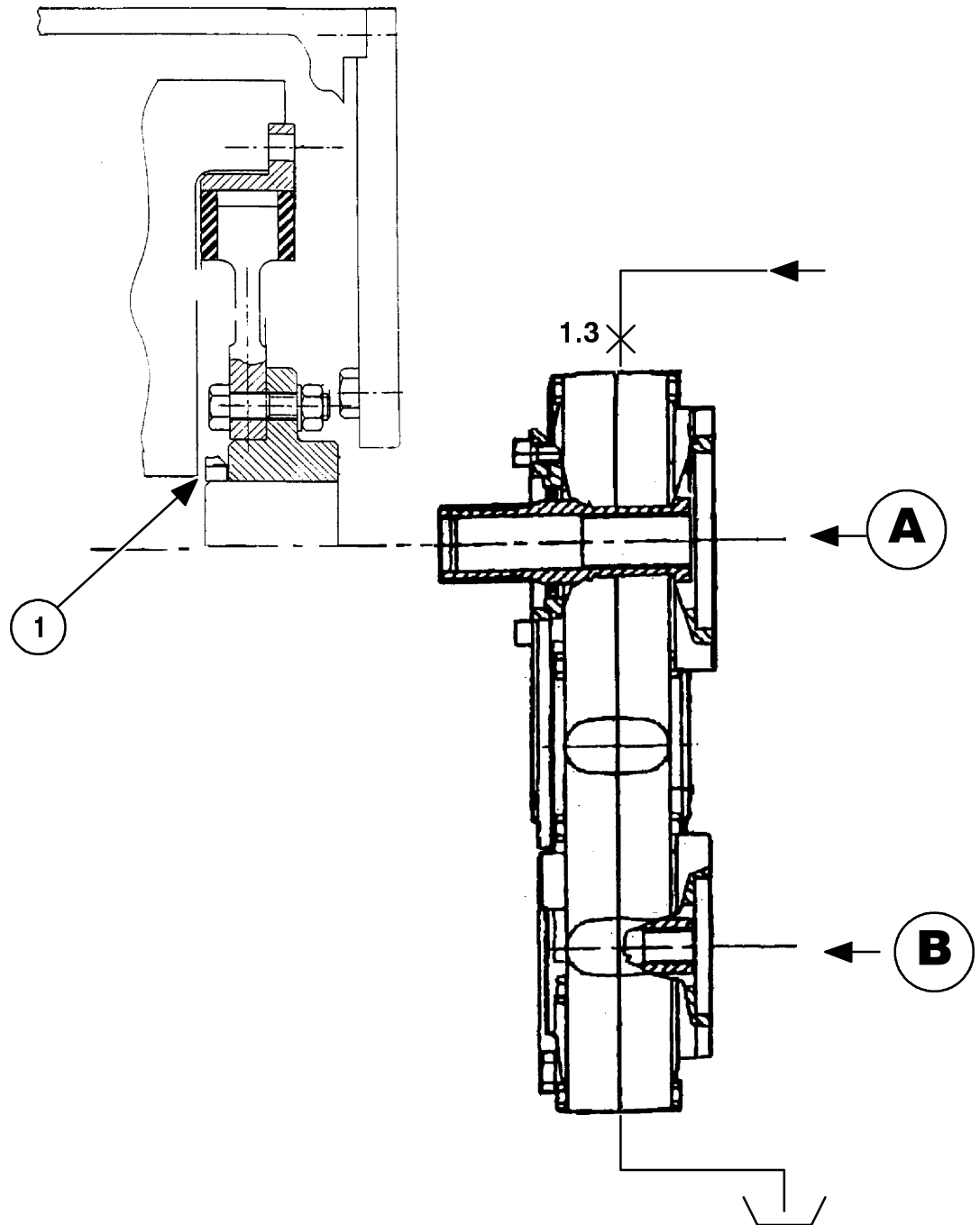
### Chapter 1

#### TABLE OF CONTENTS

<b>Section</b>	<b>Description</b>	<b>Page</b>
14.000	Hydraulic pump drive control unit .....	3

R1-03/01

641 0140001



**HYDRAULIC PUMP DRIVE CONTROL UNIT (225)**

- A** = Assembly of "SAUER" drive pump
- B** = Assembly of the "VICKERS" cleaning system pump
- (1)** = SKF nut with tightening torque = 10 daNm

This control unit (225) in the hydrostatic diagram has a 1/1 ratio and the two output shafts have the same rotation direction of the motor. This control unit does not require maintenance; lubrication and cooling are ensured by a priming delivery passage.

Thank you so much for reading.  
Please click the “Buy Now!”  
button below to download the  
complete manual.



After you pay.

You can download the most  
perfect and complete manual in  
the world immediately.

Our support email:

[ebooklibonline@outlook.com](mailto:ebooklibonline@outlook.com)